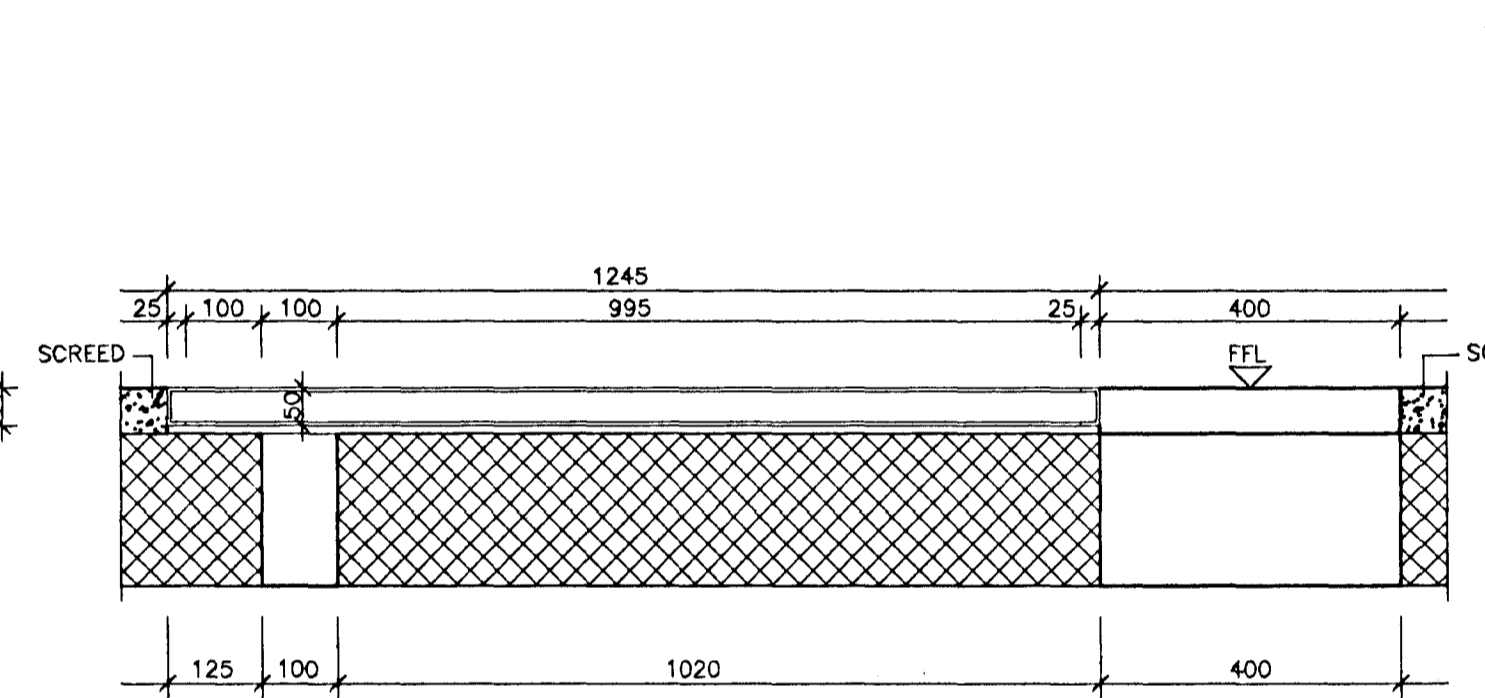
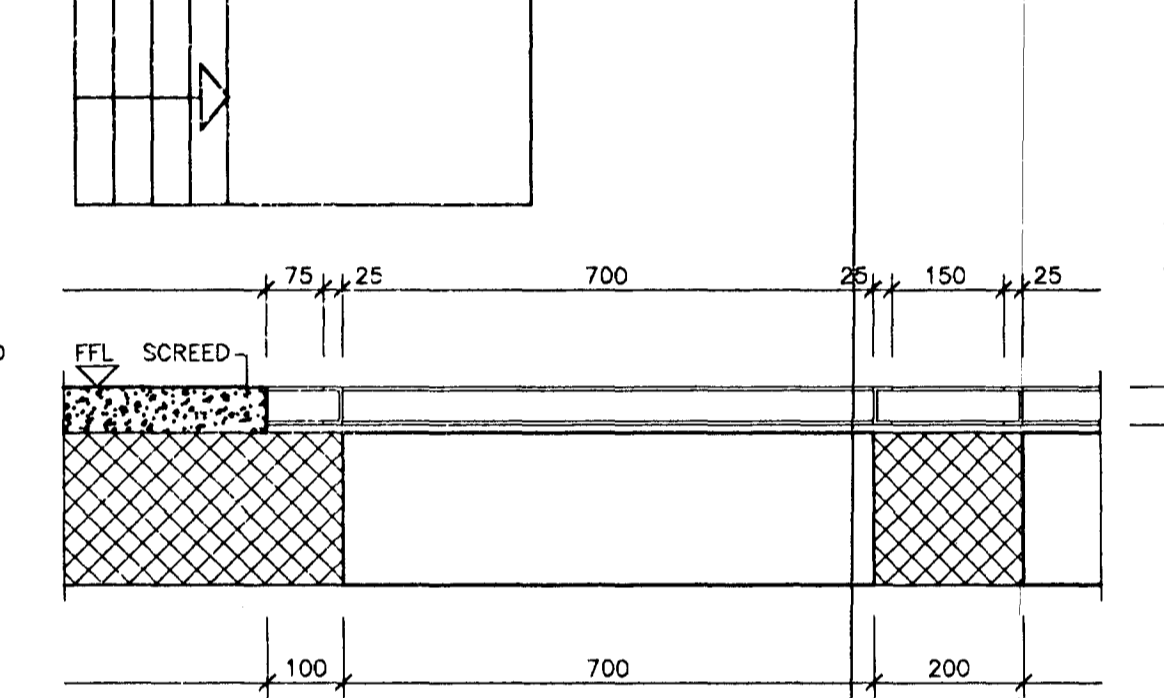


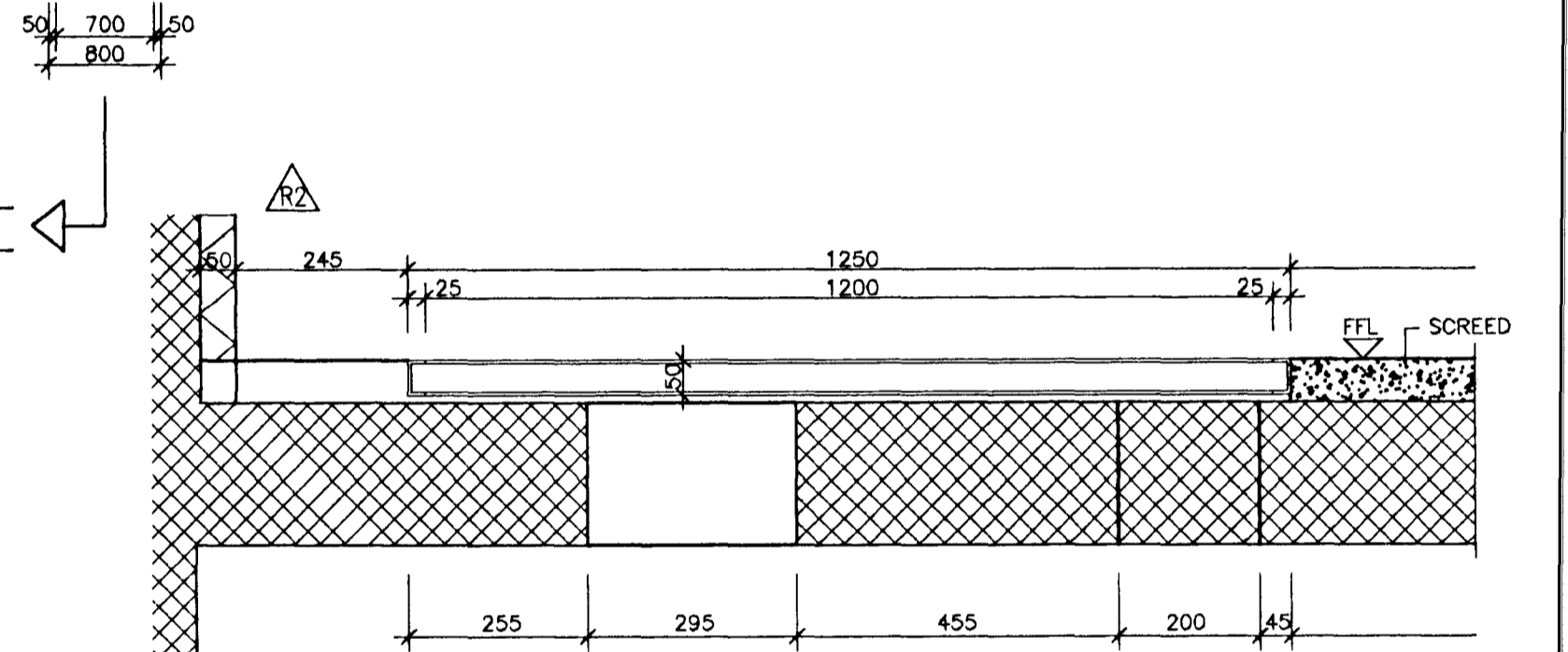
DETAIL A



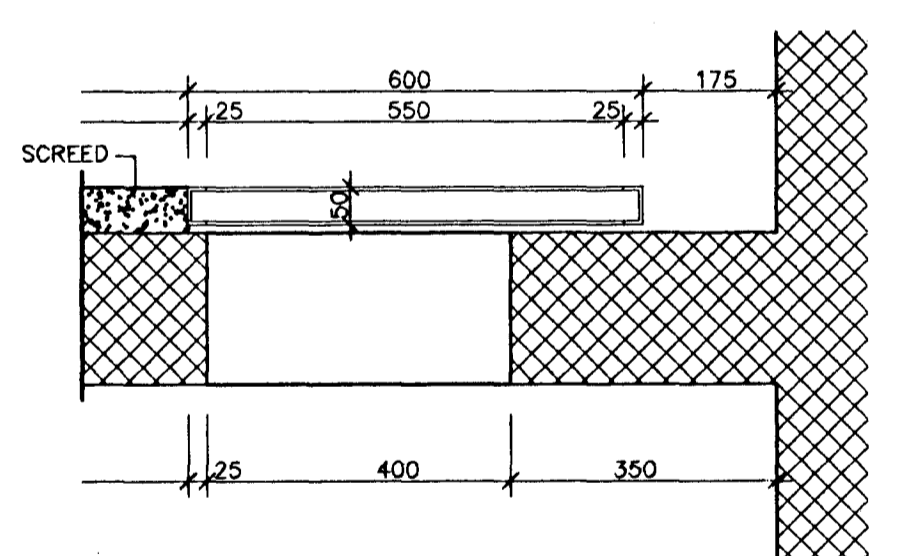
DETAIL B



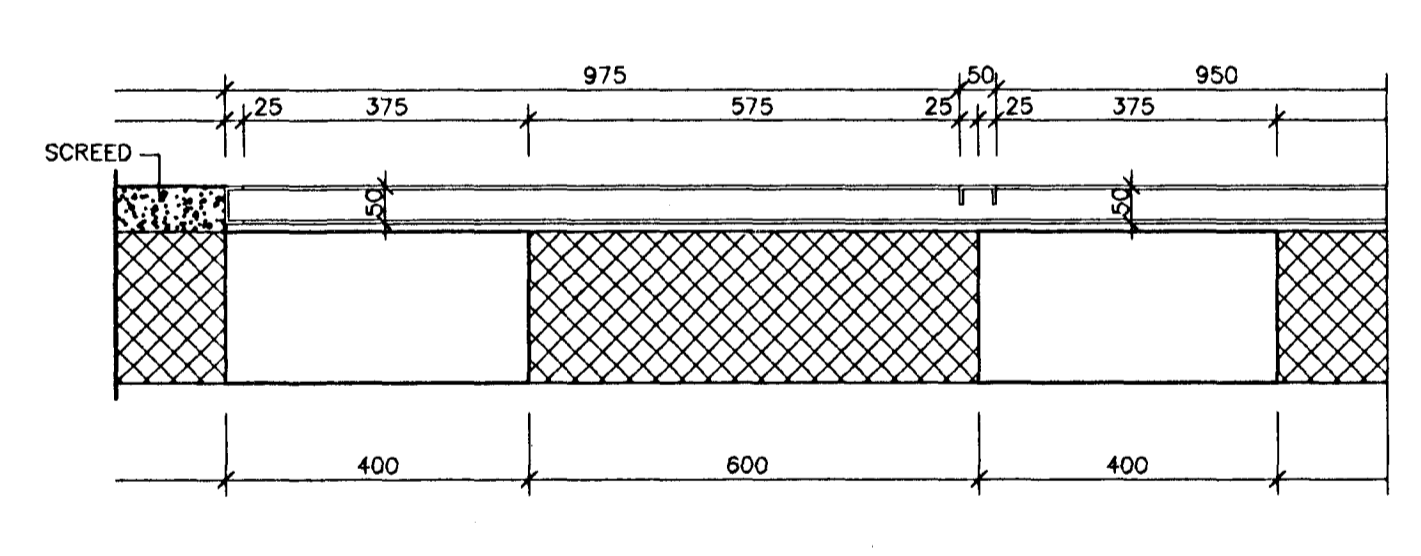
DETAIL C



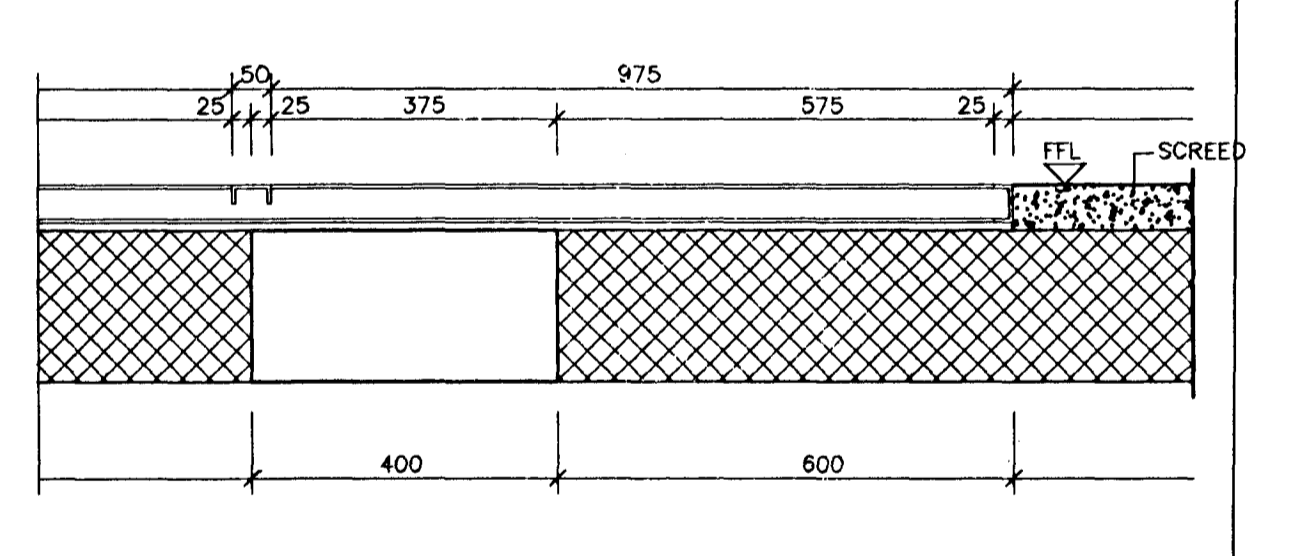
DETAIL D



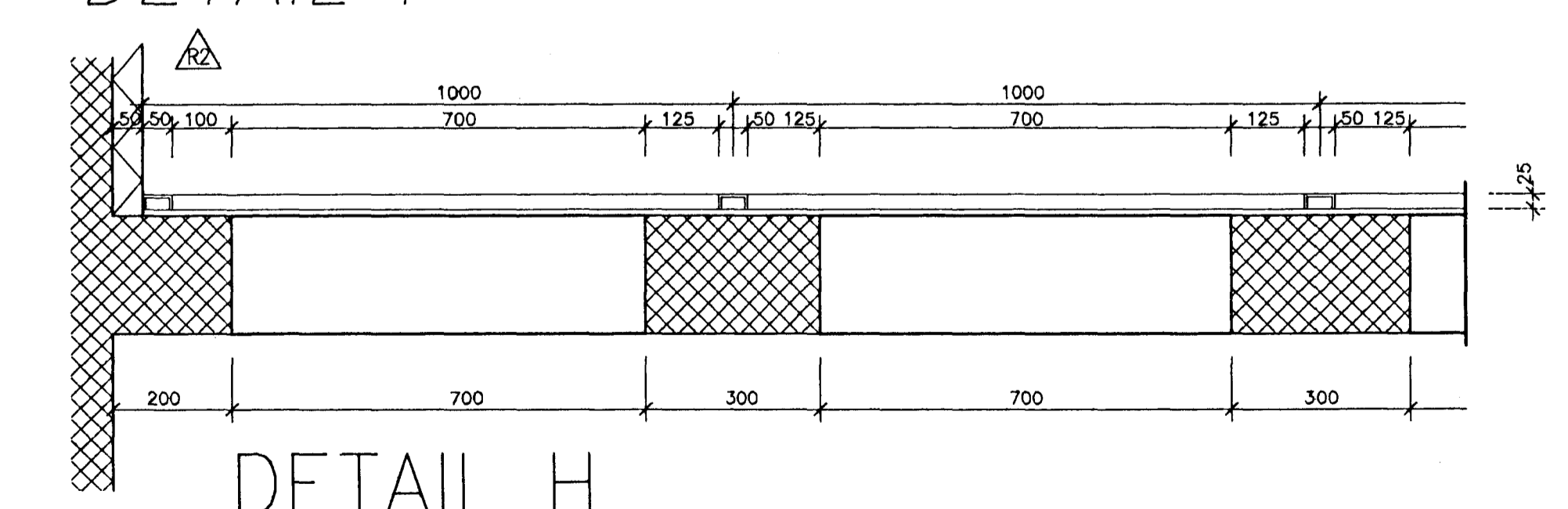
DETAIL E



DETAIL F



DETAIL G



DETAIL H

TOP OF EACH FLOOR FRAME MUST BE WITHIN ± 1MM TOLERANCE
 FINISHED FLOOR LEVEL (FFL) AROUND FRAMES MUST BE WITHIN +0/-2 MM FROM TOP OF FLOOR FRAME

Handwritten notes and signatures in a box.

REV. NO.	DATE	REVISION	BY	APP.	REV. NO.	DATE	REVISION	BY	APP.	NOTES	REFERENCE DRAWING	DRAWING NUMBER
3	1996.08.21	OPENINGS ADDED	FGS	Nr. 1.								
2	1996.08.09	INSULATION SHOWN. OPENING ADDED.	FGS	Nr. 1.								
1	1996.07.10	APPROVED FOR CONSTRUCTION	FGS	Nr. 1.								

This drawing is our property and given for personal use only. It may not be copied or made available to others without our permission. The receiver is responsible for any misuse.

VST CONSULTING ENGINEERS Ltd. Armula 4 108 Reykjavik Iceland Tel: +354 569 5000 Fax: +354 569 5010	DRAWN 96.06.19 SGZ APPROVED 96.06.19 FGS PROCESS 96.06.19 NI PROJECT 96.06.19 NI SCALE 1:50,10 FORWY AT	95.120 - 26.028 SWITCHYARD AND MAIN SUBSTATION CONCRETE WORK FLOOR FRAMES FORMWORK
	ALUSUISSE ALESA ALESA ENGINEERING LTD. ZURICH SWITZERLAND	79000-35328 3
ICELANDIC ALUMINIUM CO. LTD.	188.328	