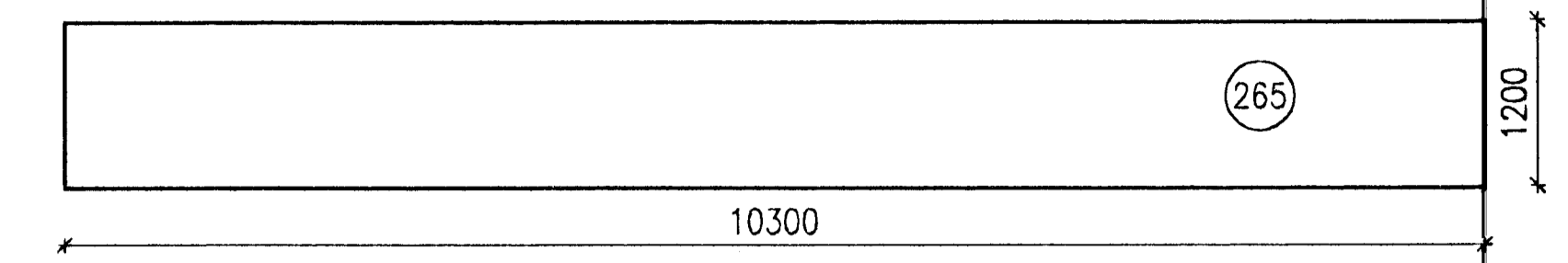
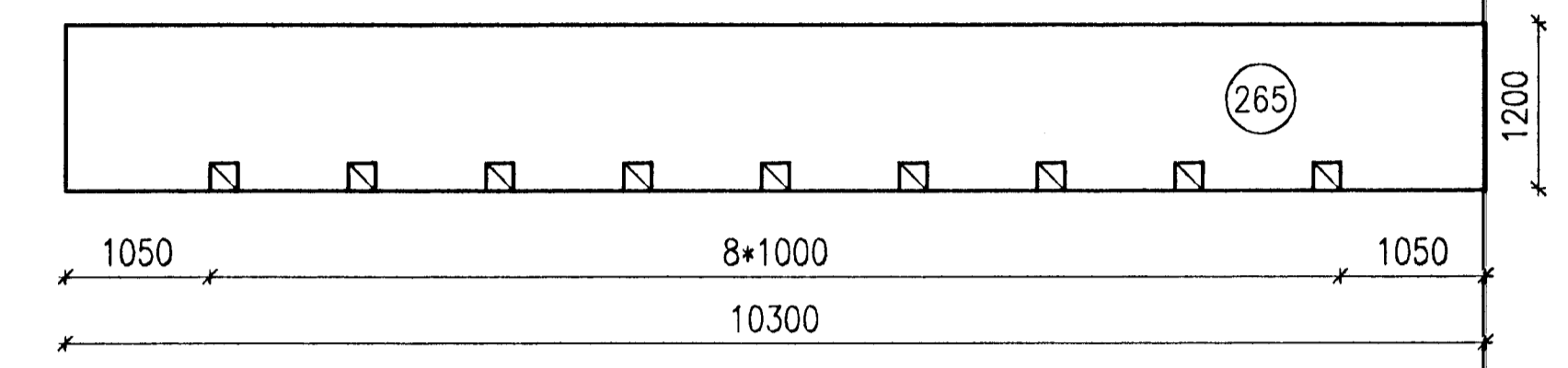


**PRECAST HOLLOW CORE ELEMENTS:**

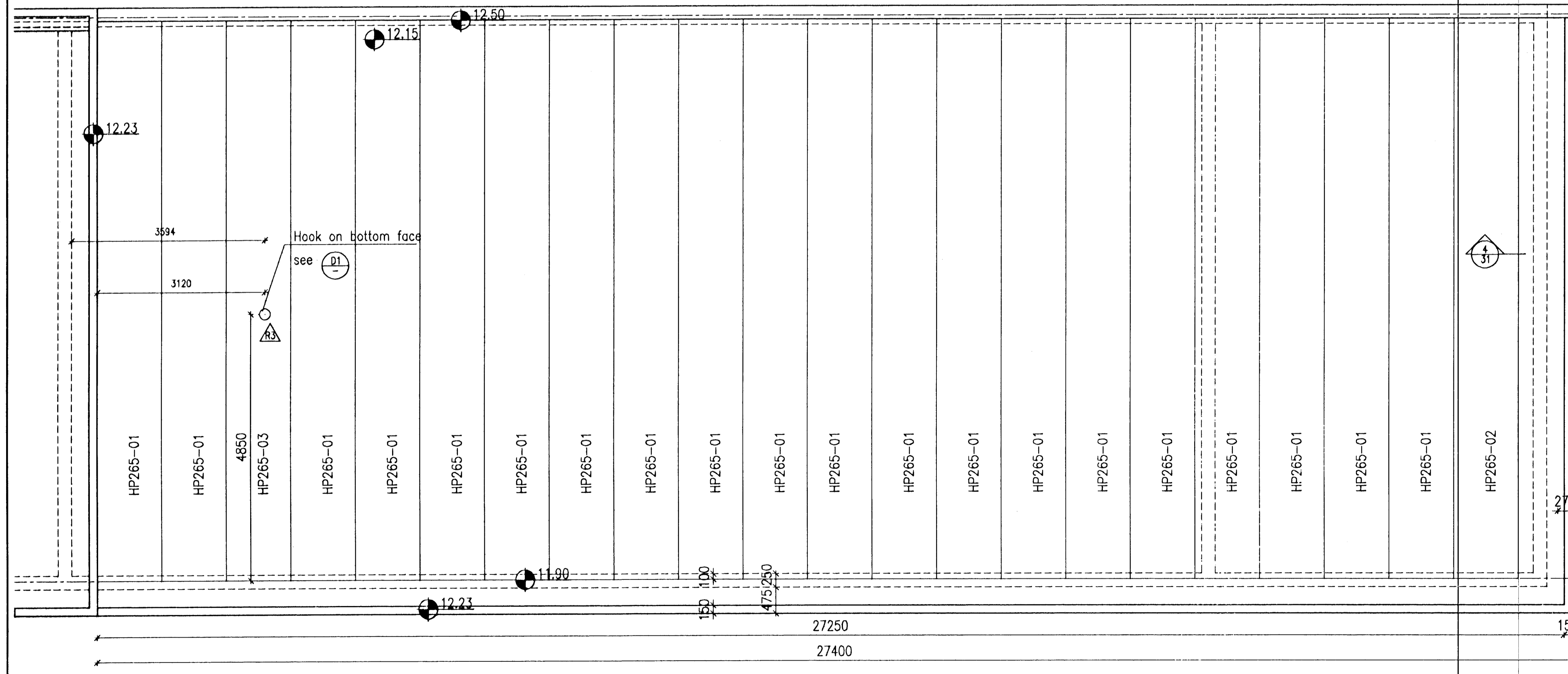
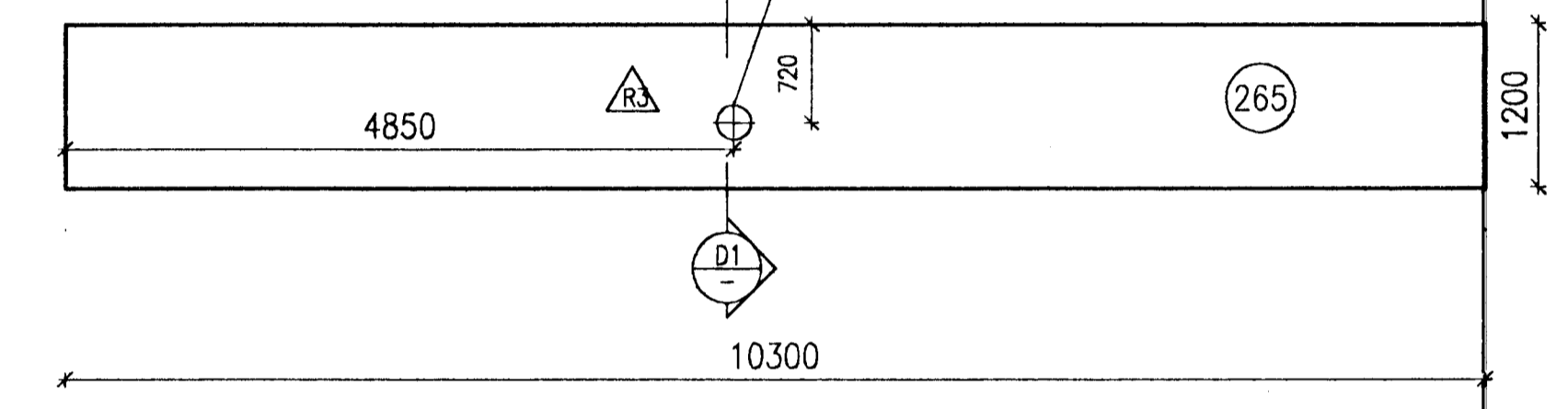
HP 265-01 20pc.



HP 265-02 1pc.



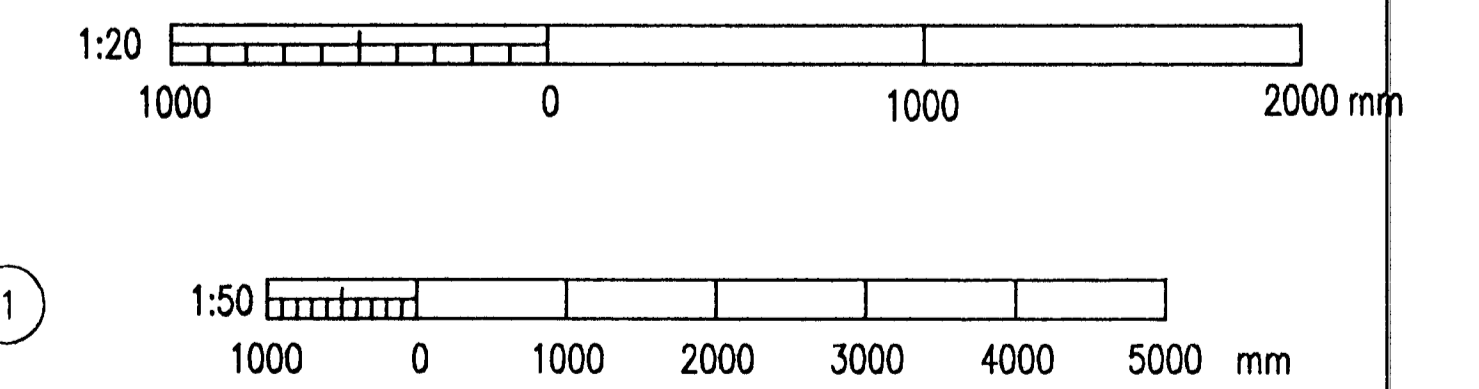
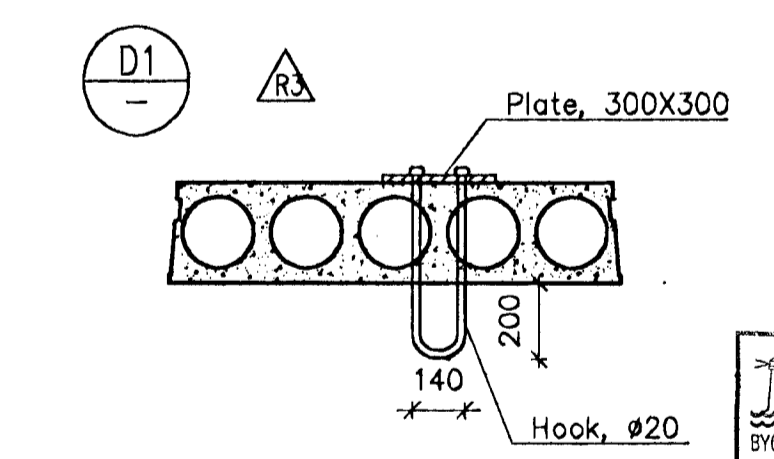
HP 265-03 1pc.



**LOADING**

Superimposed dead load: 2,0 kN/m<sup>2</sup>  
Snow 1,0 kN/m<sup>2</sup>

□ : Cutout in upper part of element



REV. NO.	DATE	REVISION	BY	APP.	REV. NO.	DATE	REVISION	BY	APP.	NOTES	REFERENCE DRAWING	DRAWING NUMBER
3	1998.08.09	HOOK ADDED, DETAIL D1	FGS	A.J.								
2	1998.07.10	APPROVED FOR CONSTRUCTION	FGS	A.J.								
1	1998.06.19	PAVING STONES DELETED	FGS	A.J.								

This drawing is our property and given for personal use only. It may not be copied or made available to others without our permission. The receiver is responsible for any misuse.

<b>VST CONSULTING ENGINEERS LTD.</b> Armula 4 108 Reykjavik Iceland Tel:+354 569 5000 Fax:+354 569 5010	DRAWN 98.08.15 SGI APPROVED 98.05.15 FGS PROCESS 98.05.15 NI PROJECT 98.05.15 NI SCALE 1:20.50 FORSKY A1	95.120 - 26.030 SWITCHYARD AND MAIN SUBSTATION CONCRETE WORK ROOF FORMWORK
	<b>ALUSUISSE ENGINEERING LTD.</b> ZURICH SWITZERLAND	79000-35330 REVISION 3
<b>ICELANDIC ALUMINIUM CO. LTD.</b>	188.330	