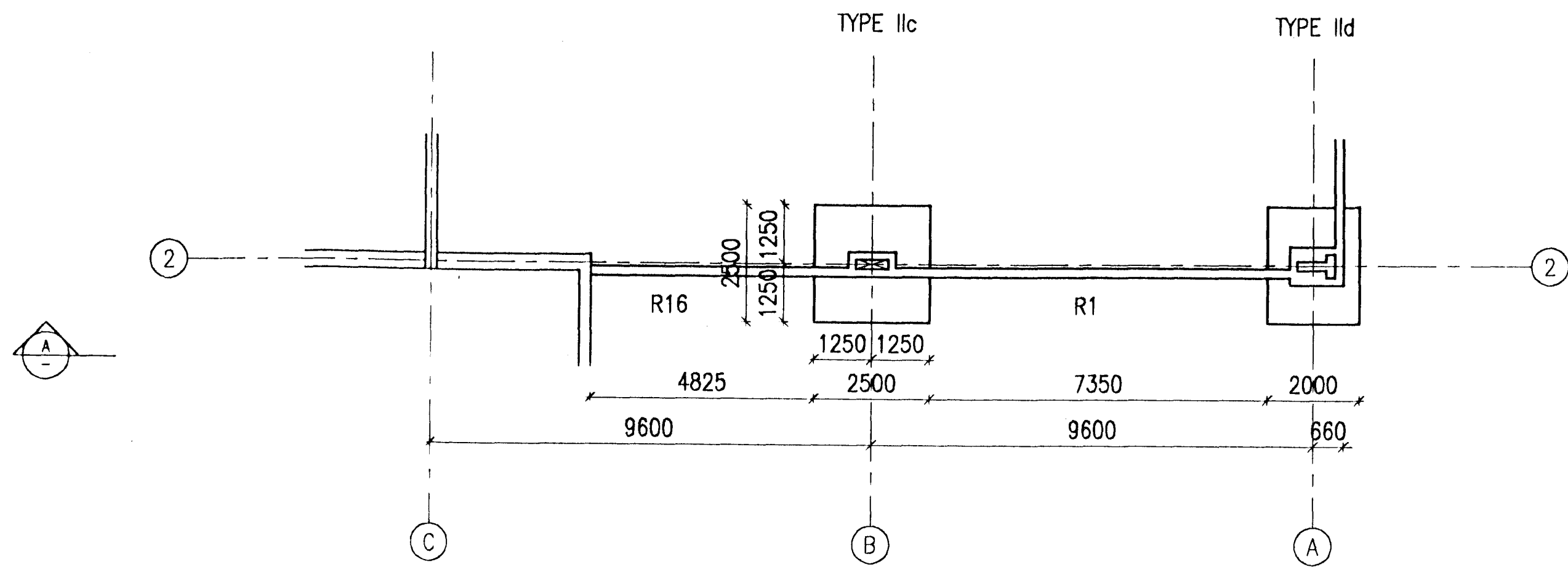
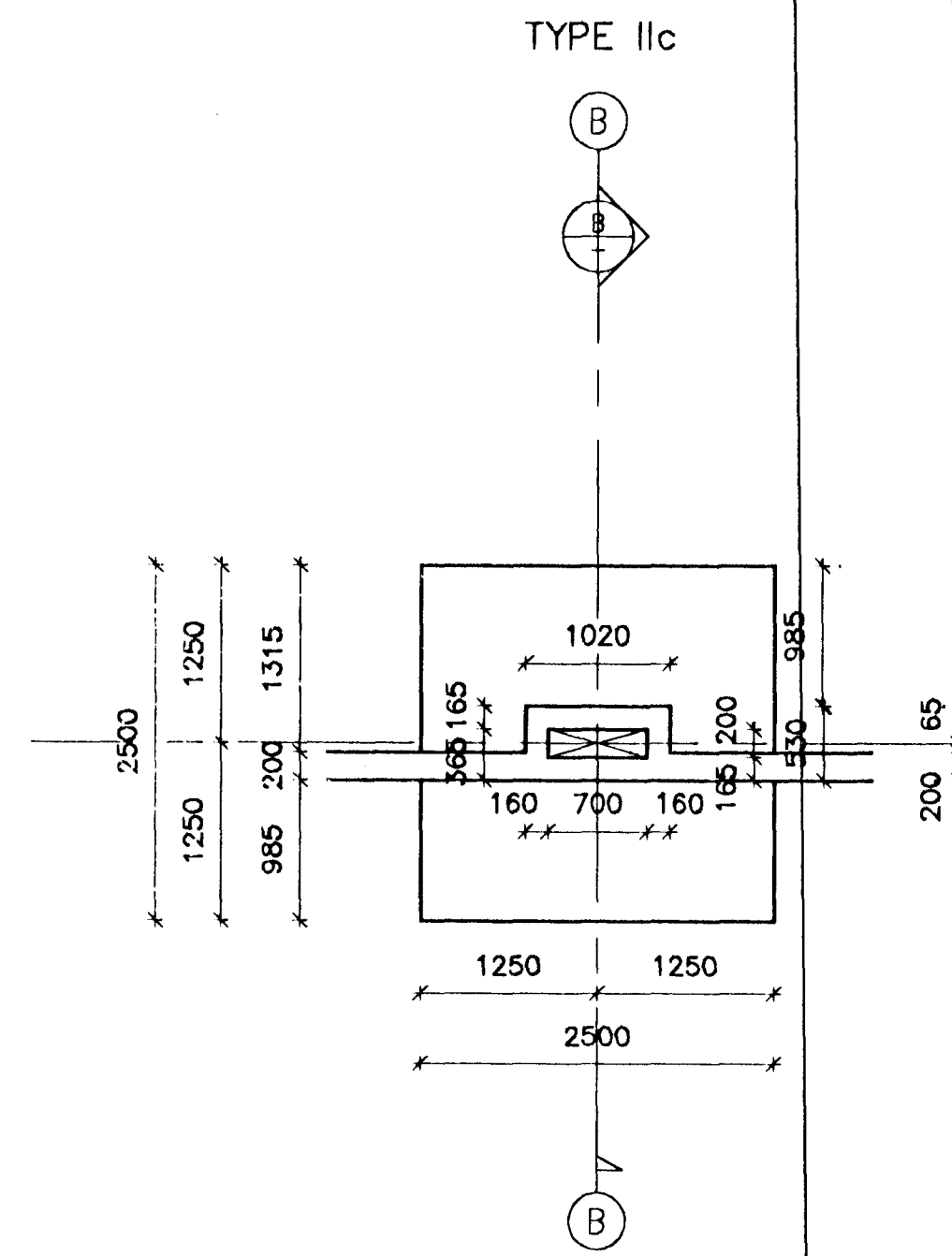
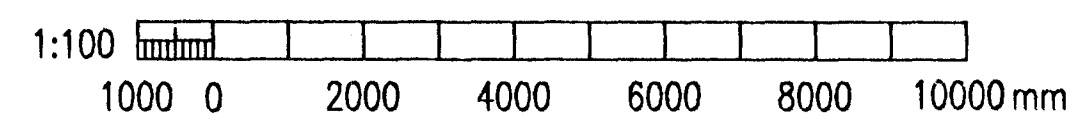
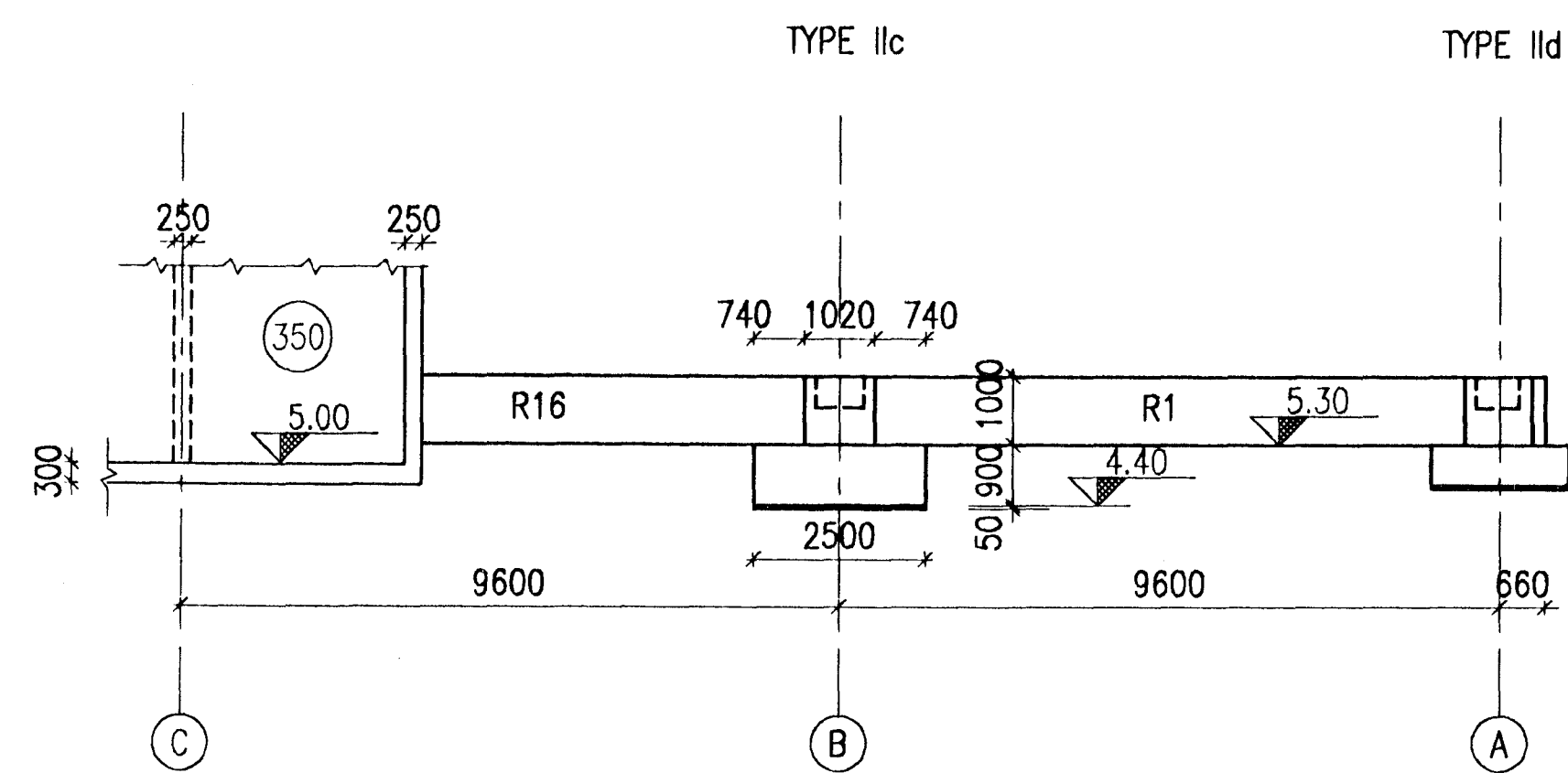


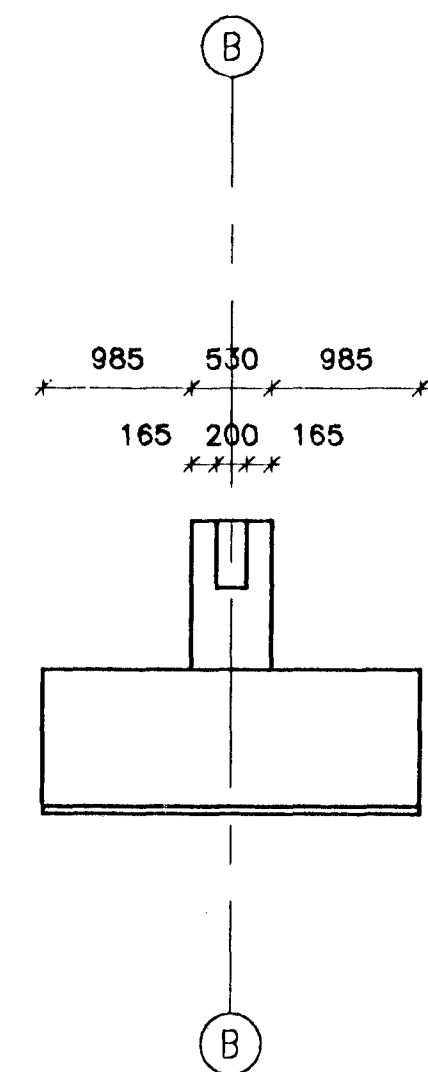
GROUND PLAN Col. 2C-2A



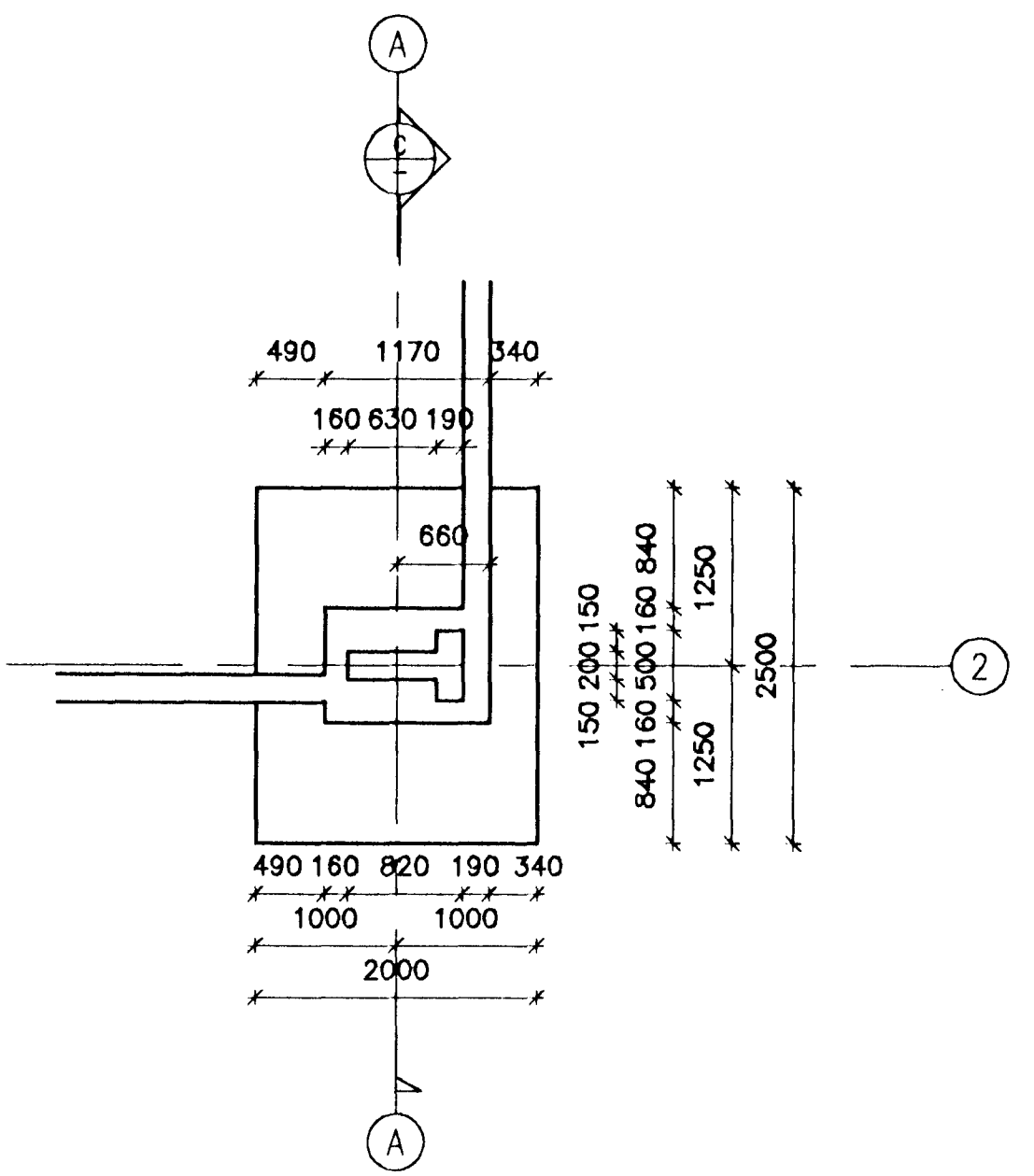
A



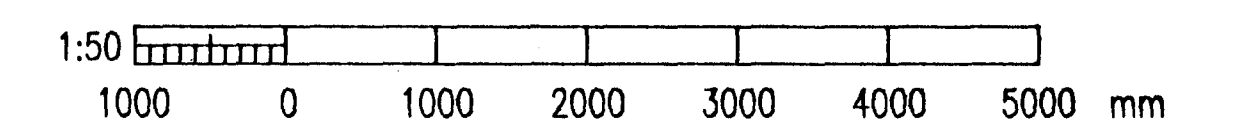
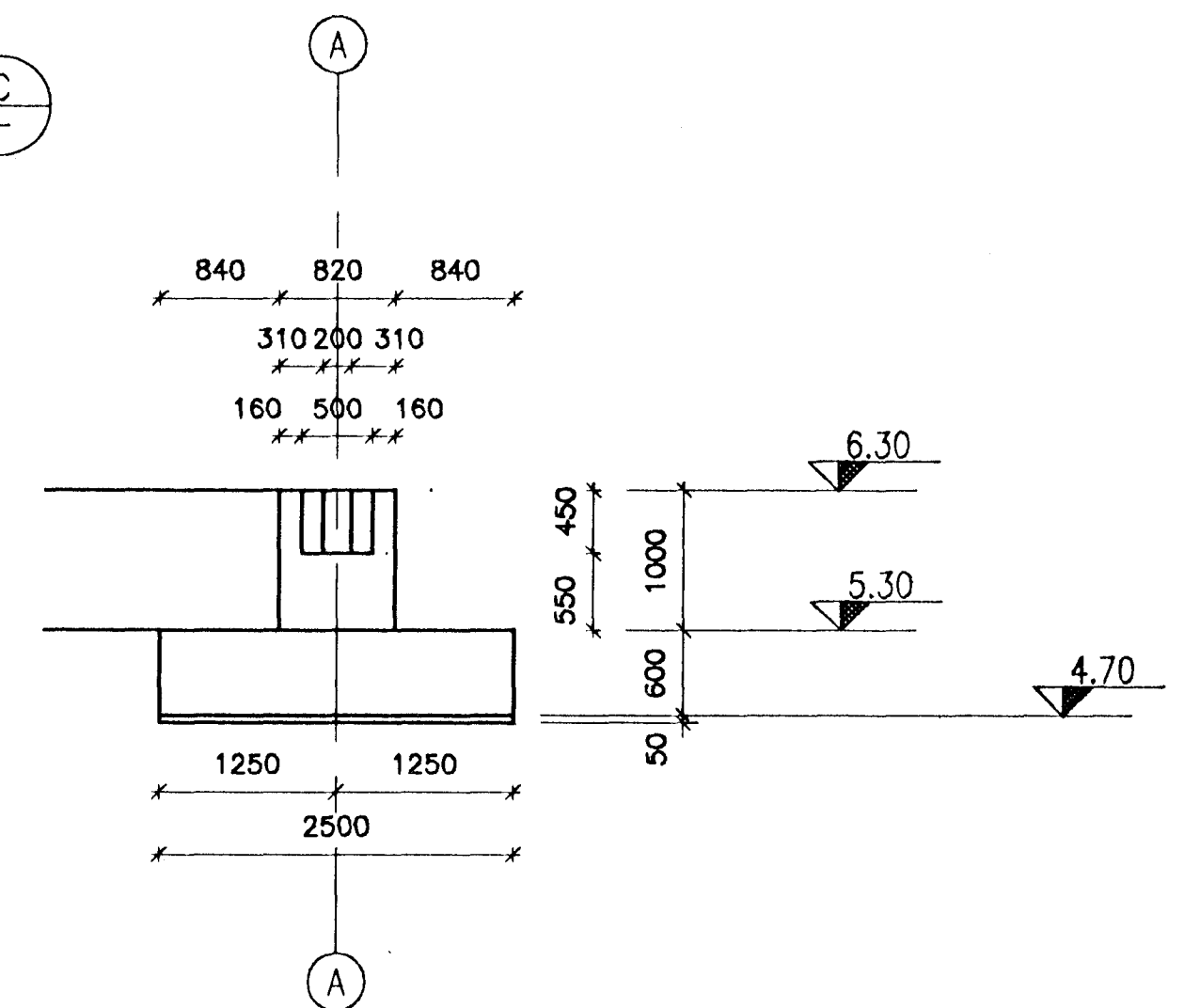
B



TYPE IIId



C



HAFNARREIÐISDAGUR 13/7'96  
BYGGINGARULLTRJUNN  
AFGREITT

VST CONSULTING ENGINEERS Ltd.  
Arnula 4 108 Reykjavik Iceland  
Tel: +354 569 5000 Fax: +354 569 5010

95.120 - 26.041

ICELANDIC ALUMINIUM COMPANY LTD.

DRAWN 96.05.10 SGR  
APPROVED 96.05.10 FGS  
PROCESS 96.05.10 NI  
PROJECT 96.05.10 NI  
SCALE 1:50 FORMAT A1

SWITCHYARD AND MAIN SUBSTATION  
CONCRETE WORK  
FOUNDATIONS 2C-2A  
FORMWORK

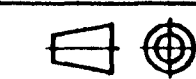
ALESSE ALESA  
ALUSUISSE ENGINEERING LTD.  
ZURICH SWITZERLAND

79000-35341

ICELANDIC ALUMINIUM CO. LTD

188.341

This drawing is our property and given for personal use only. It may not be copied or made available to others without our permission. The receiver is responsible for any misuse.



REV. NO.	DATE	REVISION	BY	APP.	REV. NO.	DATE	REVISION	BY	APP.	NOTES	REFERENCE DRAWING	DRAWING NUMBER
1	1996.07.10	APPROVED FOR CONSTRUCTION	FGS	N.I.								