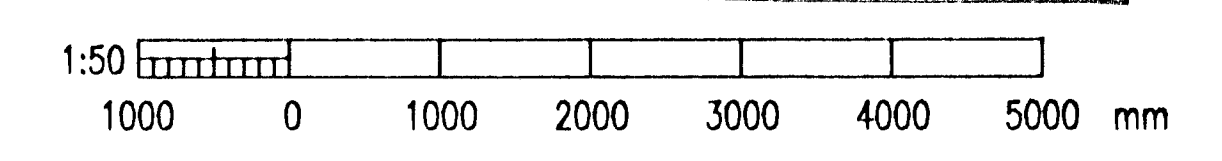
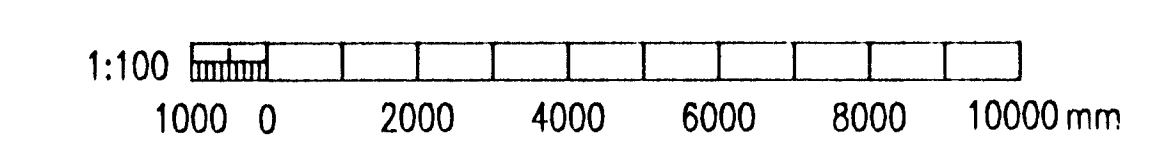
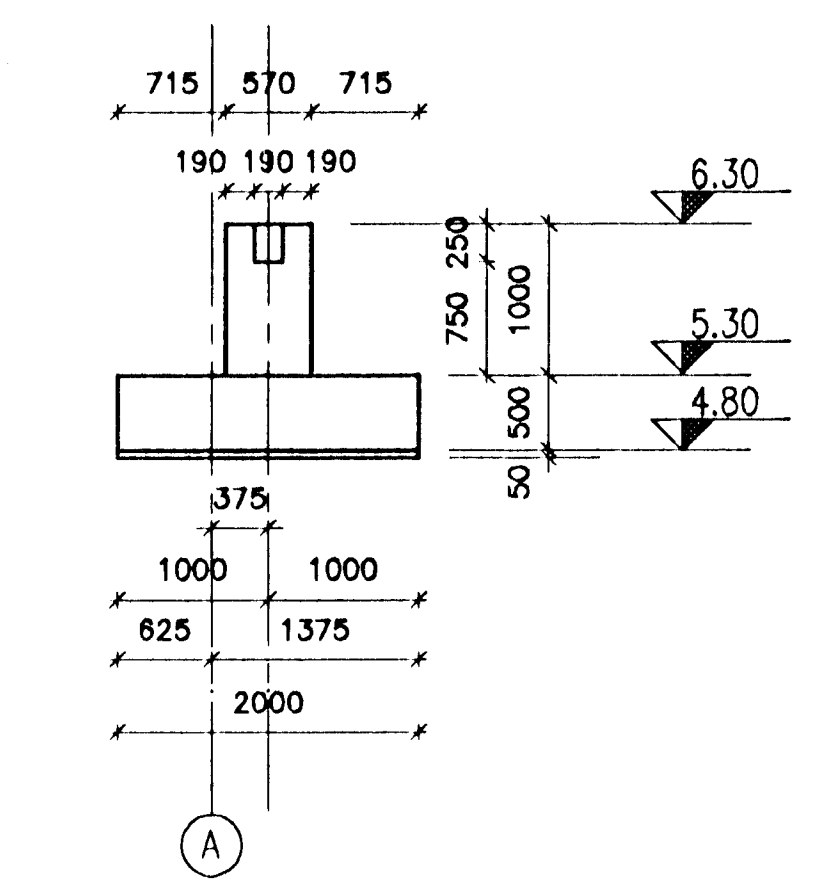
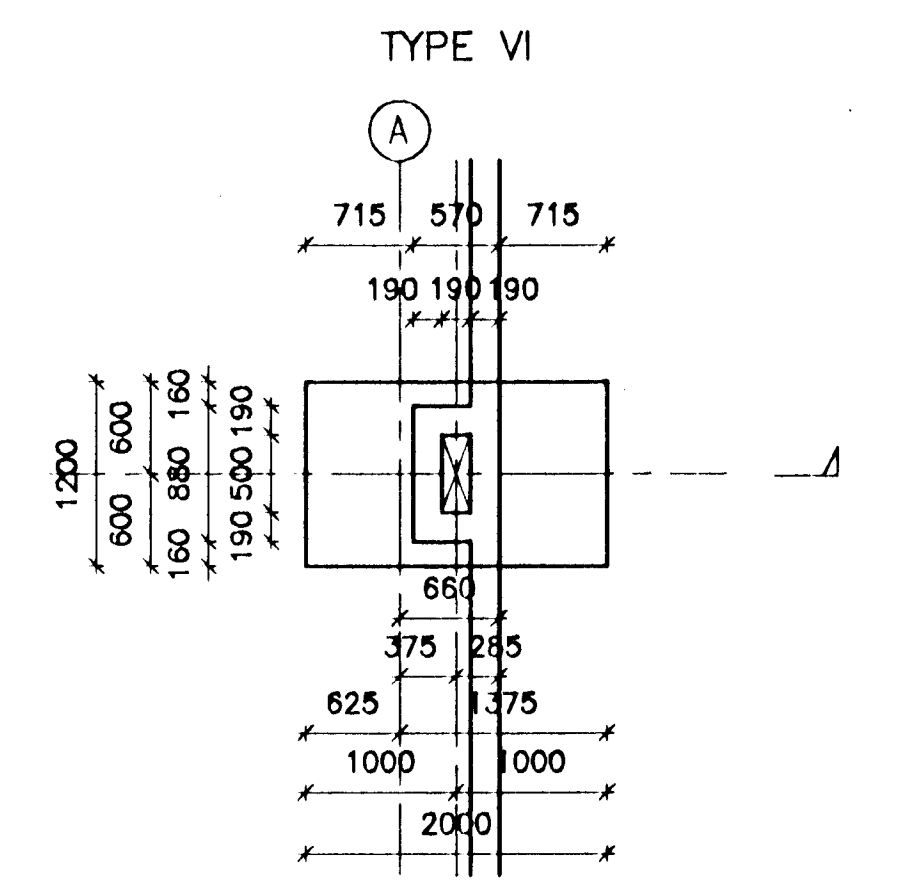
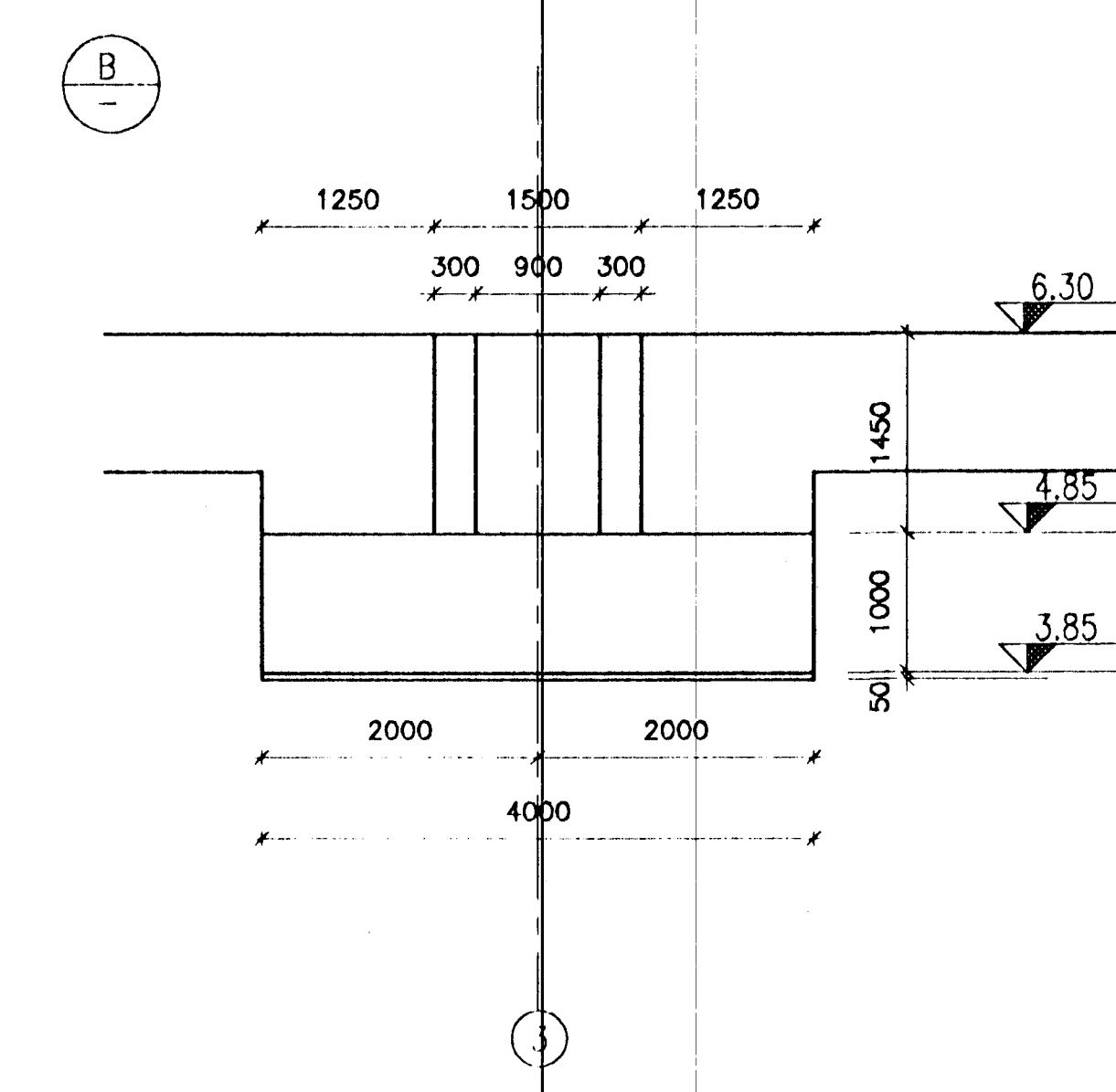
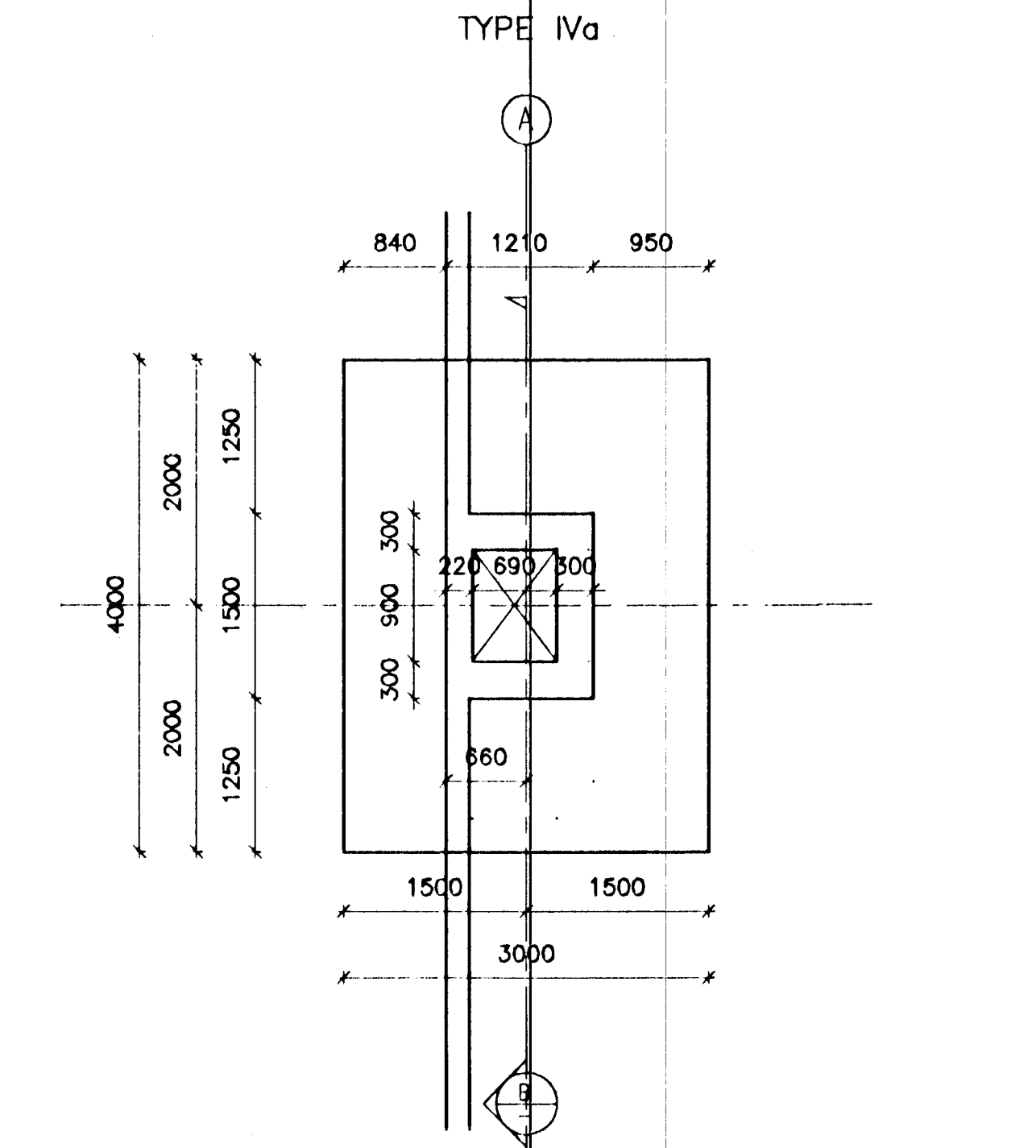
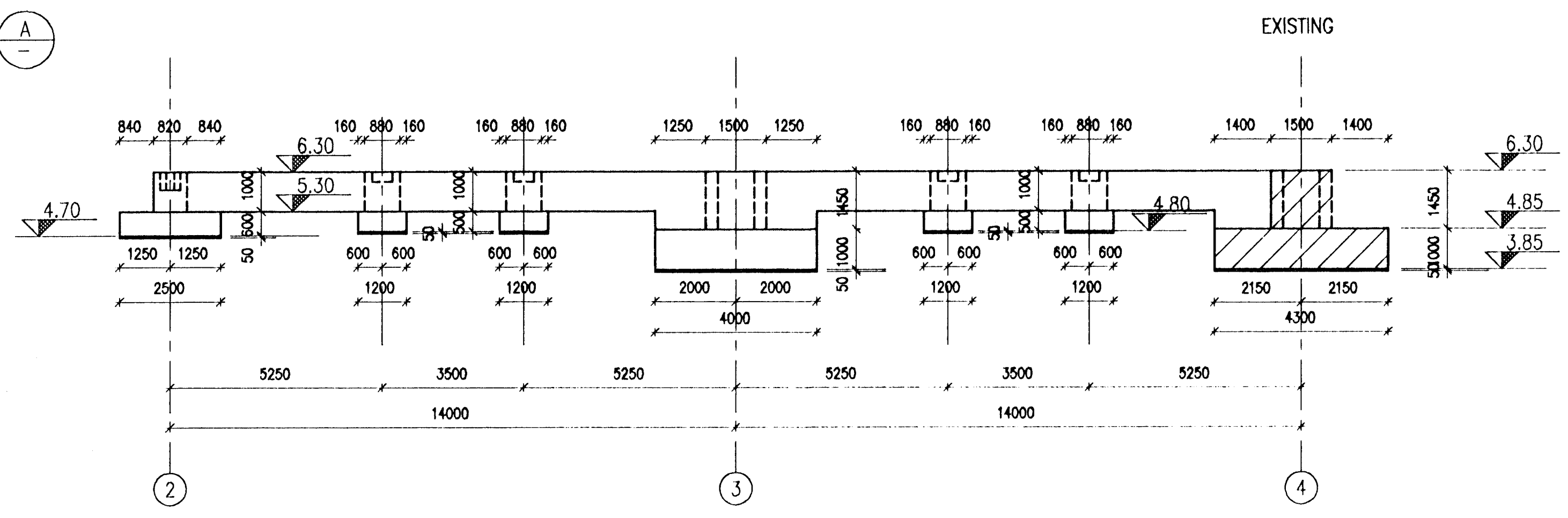
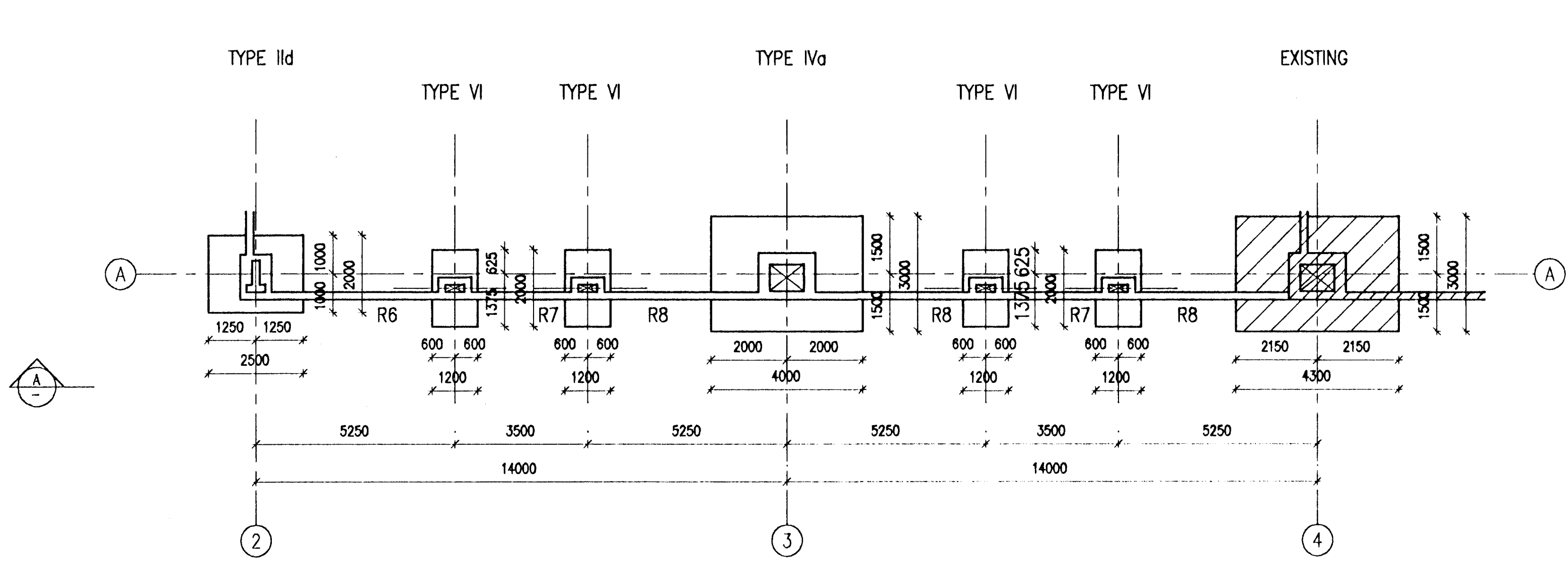


GROUND PLAN Col. A4-A2



HAFFNARJÓRÐUR
BYGGINGAFLUTRÚNN
17/196
ARGREITT

										VST CONSULTING ENGINEERS Ltd. Arnúls 4 108 Reykjavík Ísland Tel: +354 569 5000 Fax: +354 569 5010		95.120 - 26.042			
										ICELANDIC ALUMINIUM COMPANY LTD.		DRAWN 98.05.10 SG APPROVED 98.05.10 FGS PROCESS 98.05.10 NI PROJECT 98.05.10 NI SCALE 1:50 FORSTY		SWITCHYARD AND MAIN SUBSTATION CONCRETE WORK FOUNDATIONS A4-A2 FORMWORK	
										ALUSUISSE ZÜRICH		ALESA ENGINEERING LTD. SWITZERLAND		79000-35342	
										ISAL		ICELANDIC ALUMINIUM CO. LTD		188.342	
1	1998.07.10	APPROVED FOR CONSTRUCTION	FGS	A.J.							This drawing is our property and given for personal use only. It may not be copied or made available to others without our permission. The receiver is responsible for any misuse.				
REV. NO.	DATE	REVISION	BY	APP.	REV. NO.	DATE	REVISION	BY	APP.	NOTES	REFERENCE DRAWING	DRAWING NUMBER			