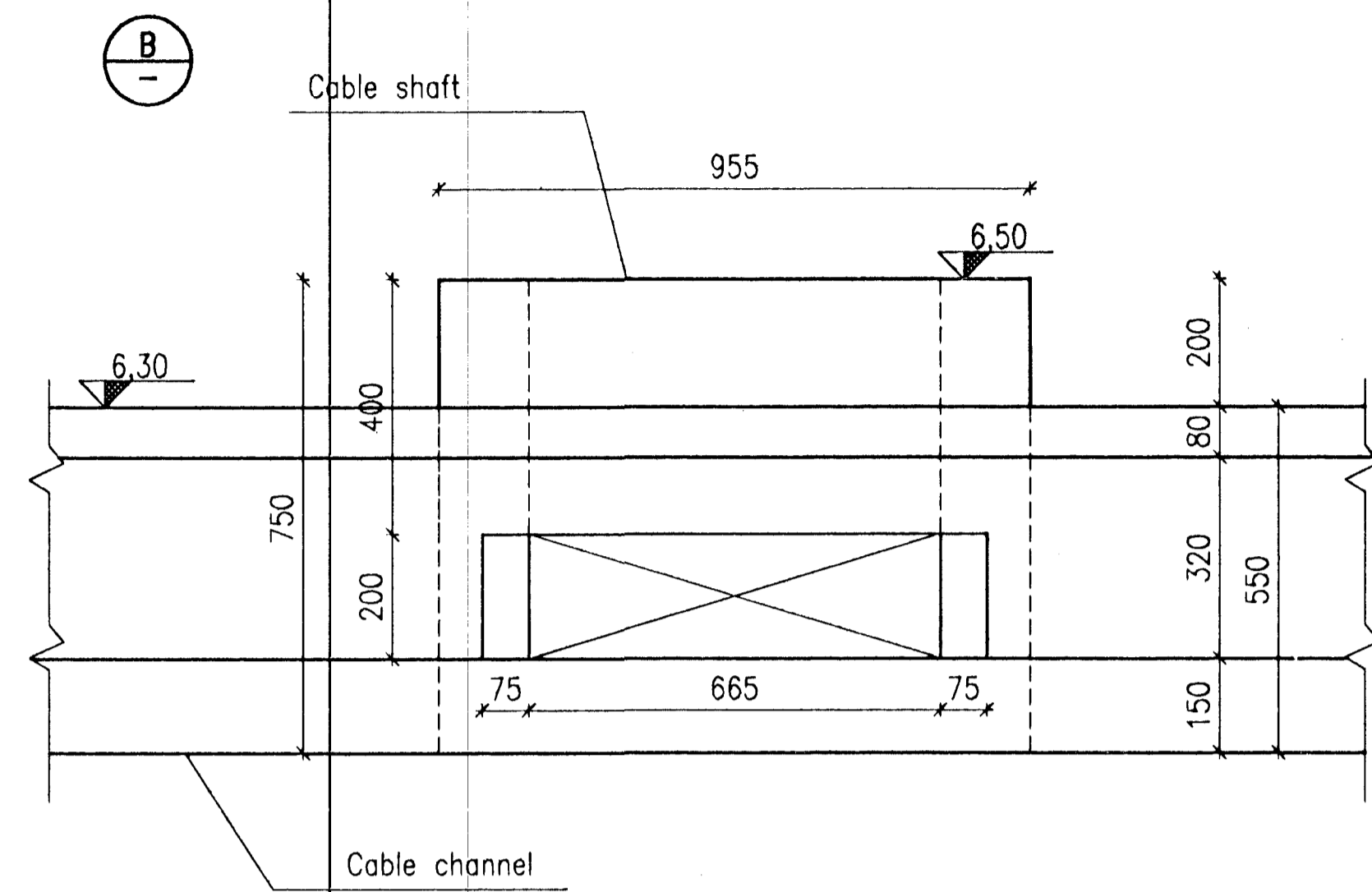
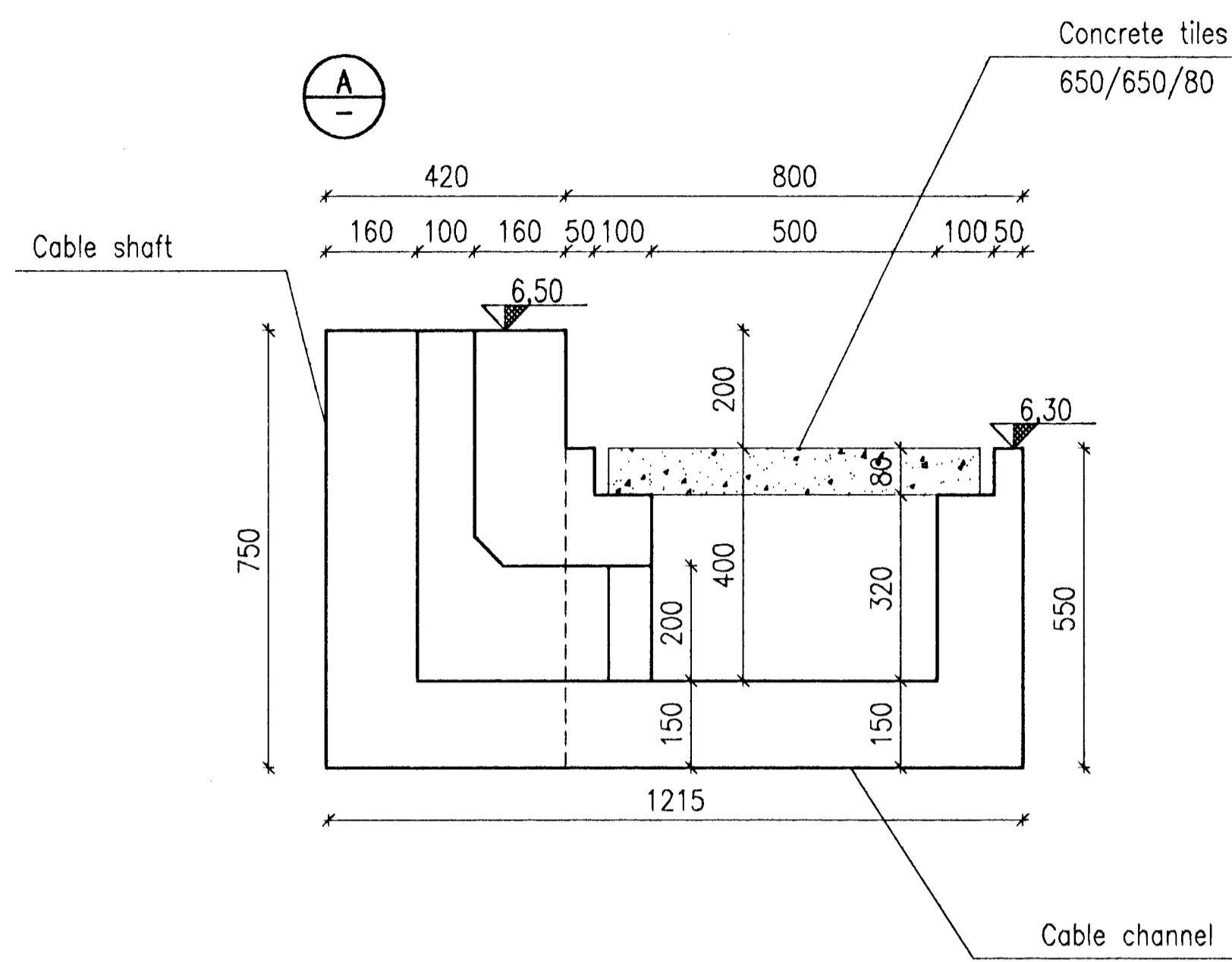
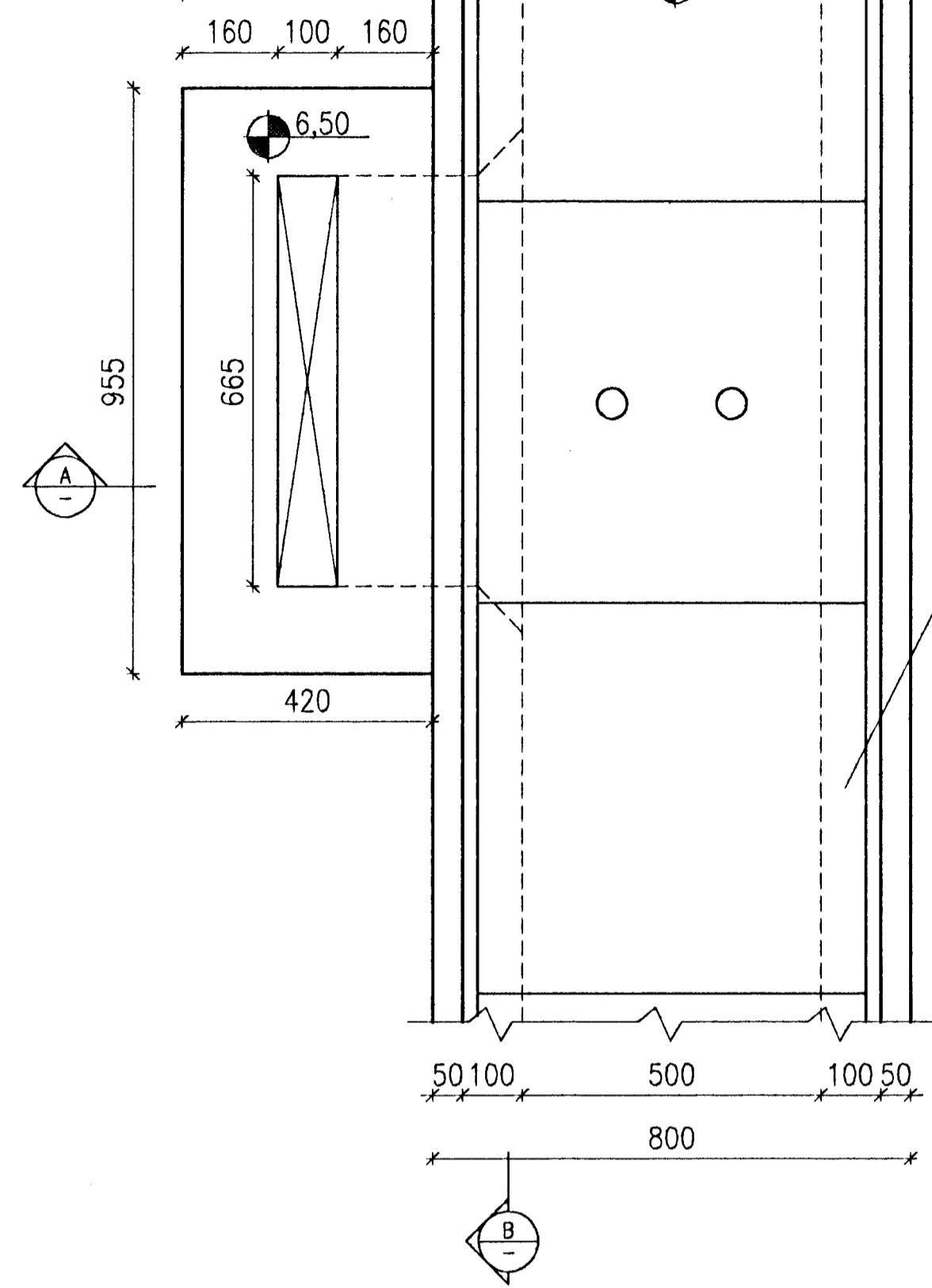
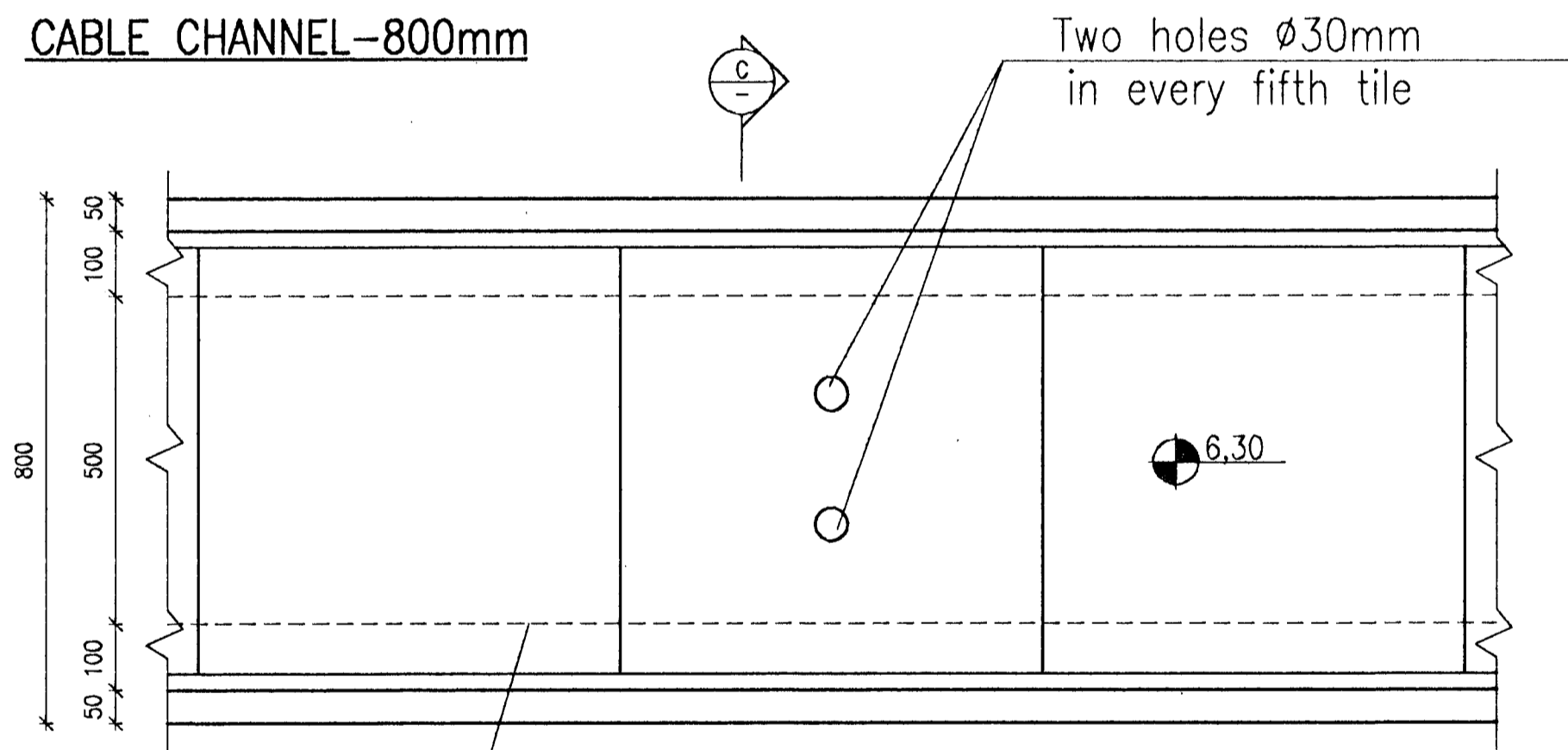


CABLE SHAFT/CABLE CHANNEL

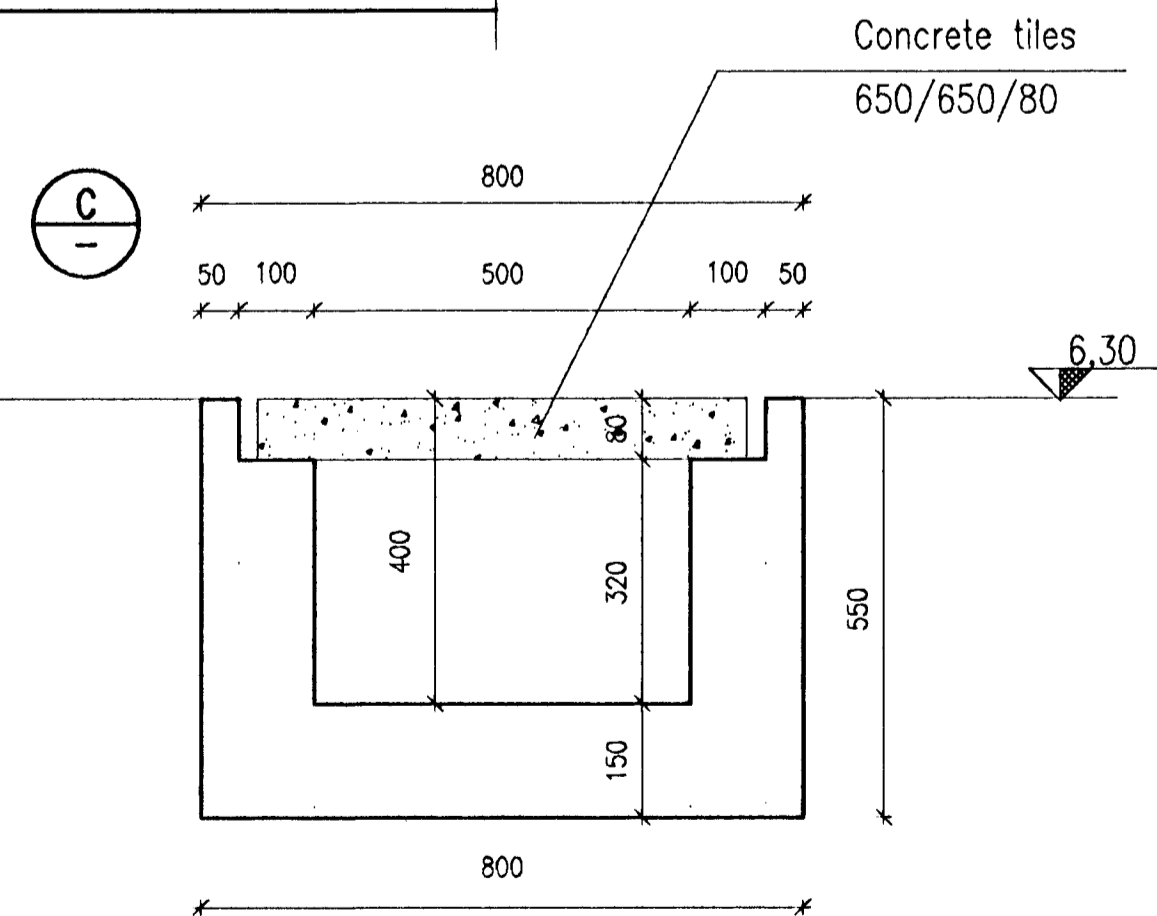


CABLE CHANNEL-800mm

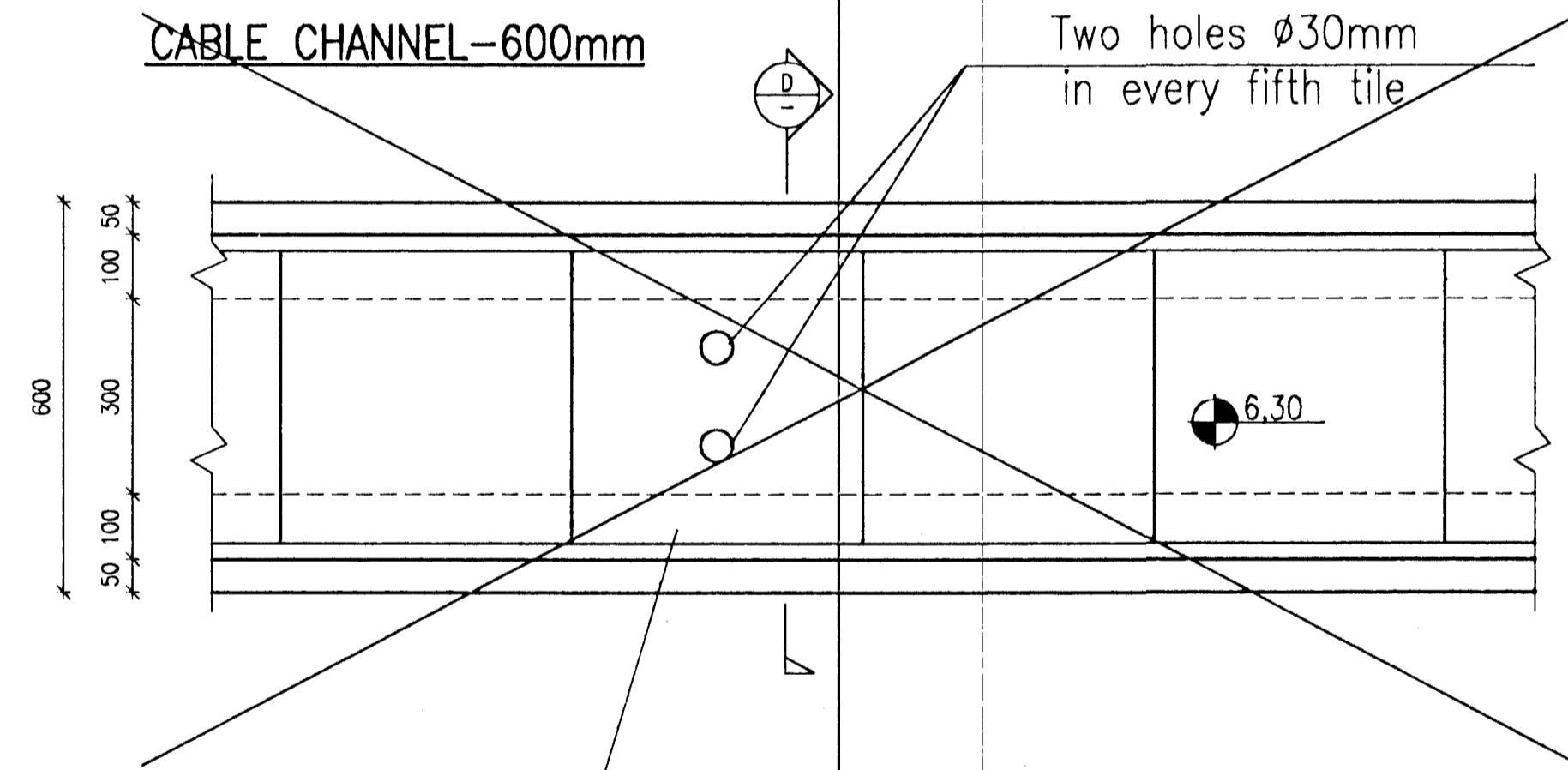


Two holes $\varnothing 30$ mm in every fifth tile

Concrete tiles 650/650/80



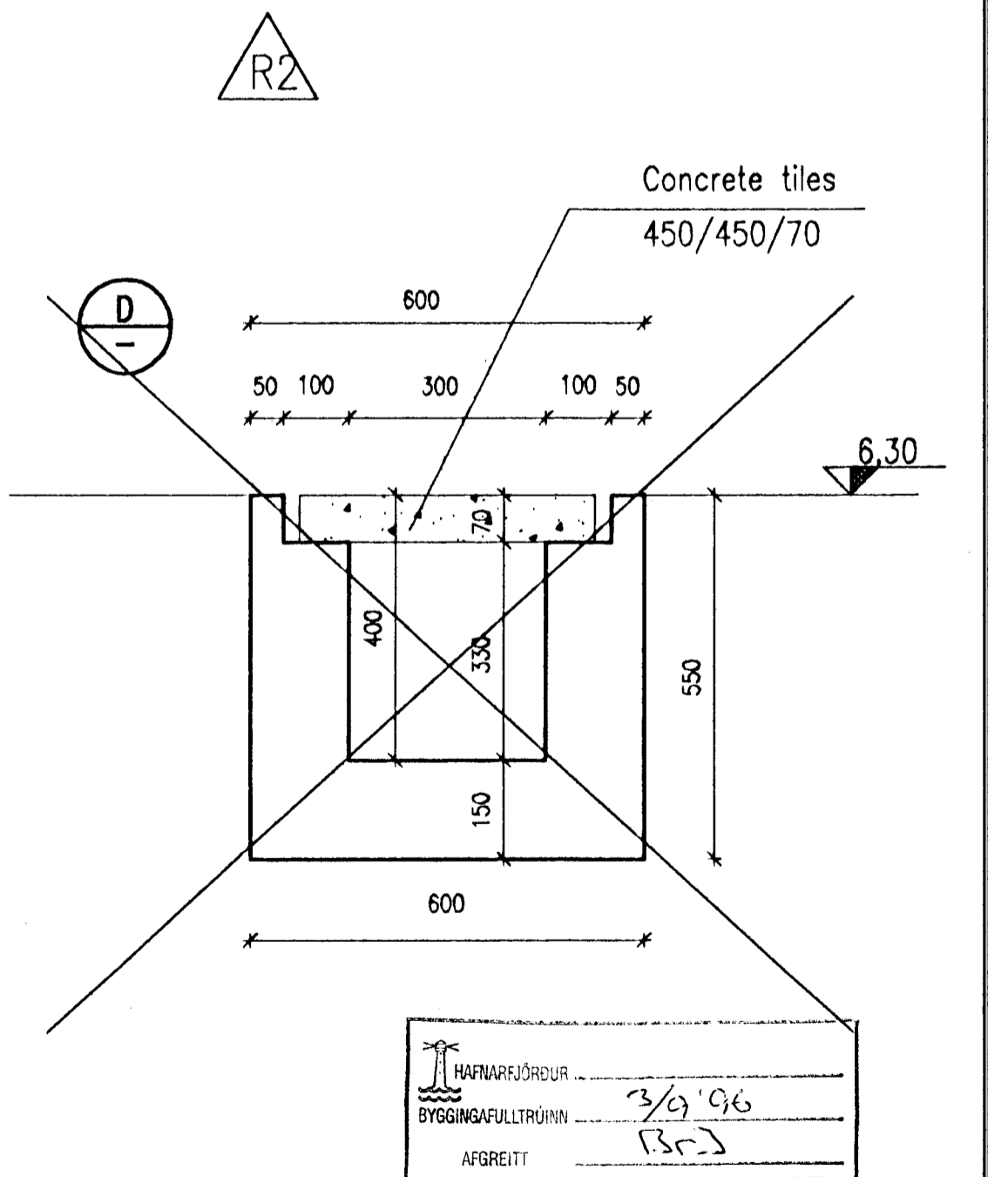
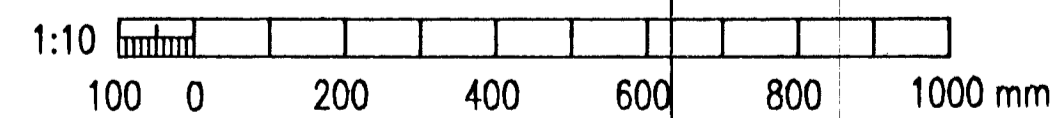
CABLE CHANNEL-600mm



Two holes $\varnothing 30$ mm in every fifth tile

Concrete tiles 450/450/70

CONCRETE: 30/37-38-S2



R2

HAFFNARFJÖRÐUR
BYGGINGAUGLITRÖNN
AFBREIT
3/3 '96
R2

REV. NO.	DATE	REVISION	BY	APP.	REV. NO.	DATE	REVISION	BY	APP.	NOTES	REFERENCE DRAWING	DRAWING NUMBER
2	1996.08.30	CABLE CHANNEL 600MM & TILES 450/450/70, DELETED.	FGS	N.I.								
1	1996.07.10	APPROVED FOR CONSTRUCTION	FGS	N.I.								

VST VST CONSULTING ENGINEERS Ltd.
Arnúli 4 108 Reykjavík Iceland
Tel: +354 569 5000 Fax: +354 569 5010

ICELANDIC ALUMINIUM COMPANY LTD.

ALUSUISSE ENGINEERING LTD.
ZÜRICH SWITZERLAND

ICELANDIC ALUMINIUM CO. LTD

95.120 - 26.043

SWITCHYARD AND MAIN SUBSTATION
CONCRETE WORK
CABLE SHAFT & CABLE CHANNELS
FORMWORK

79000-35343

188.343

2