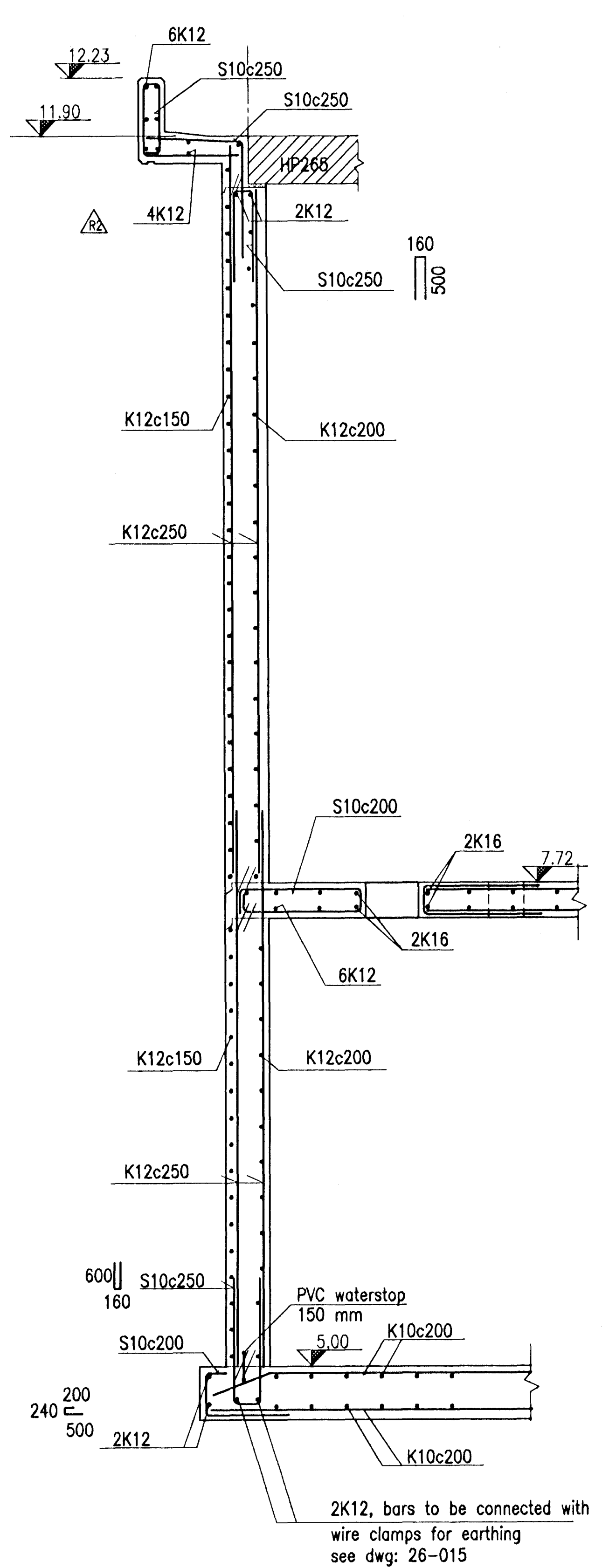
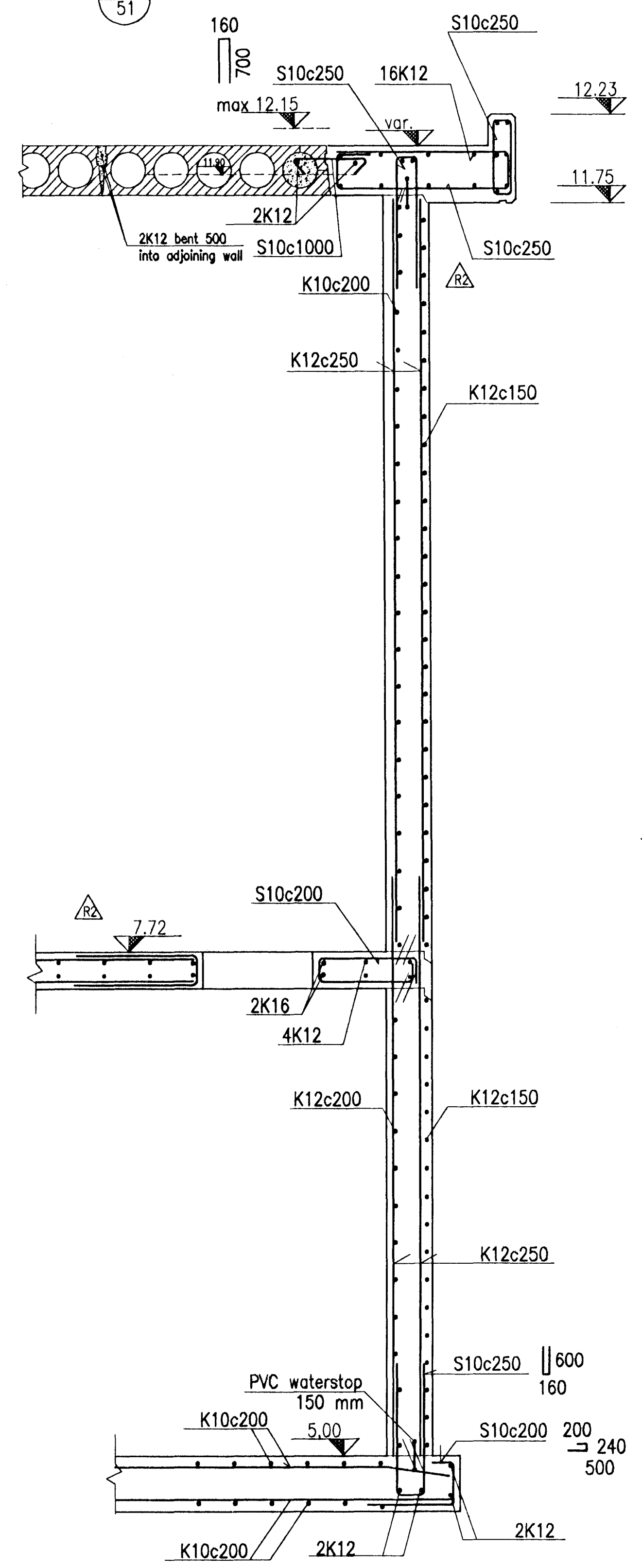


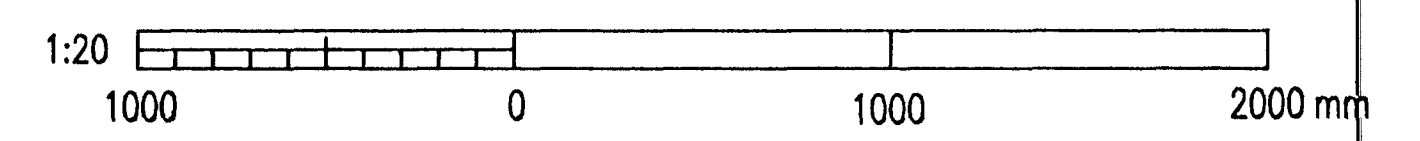
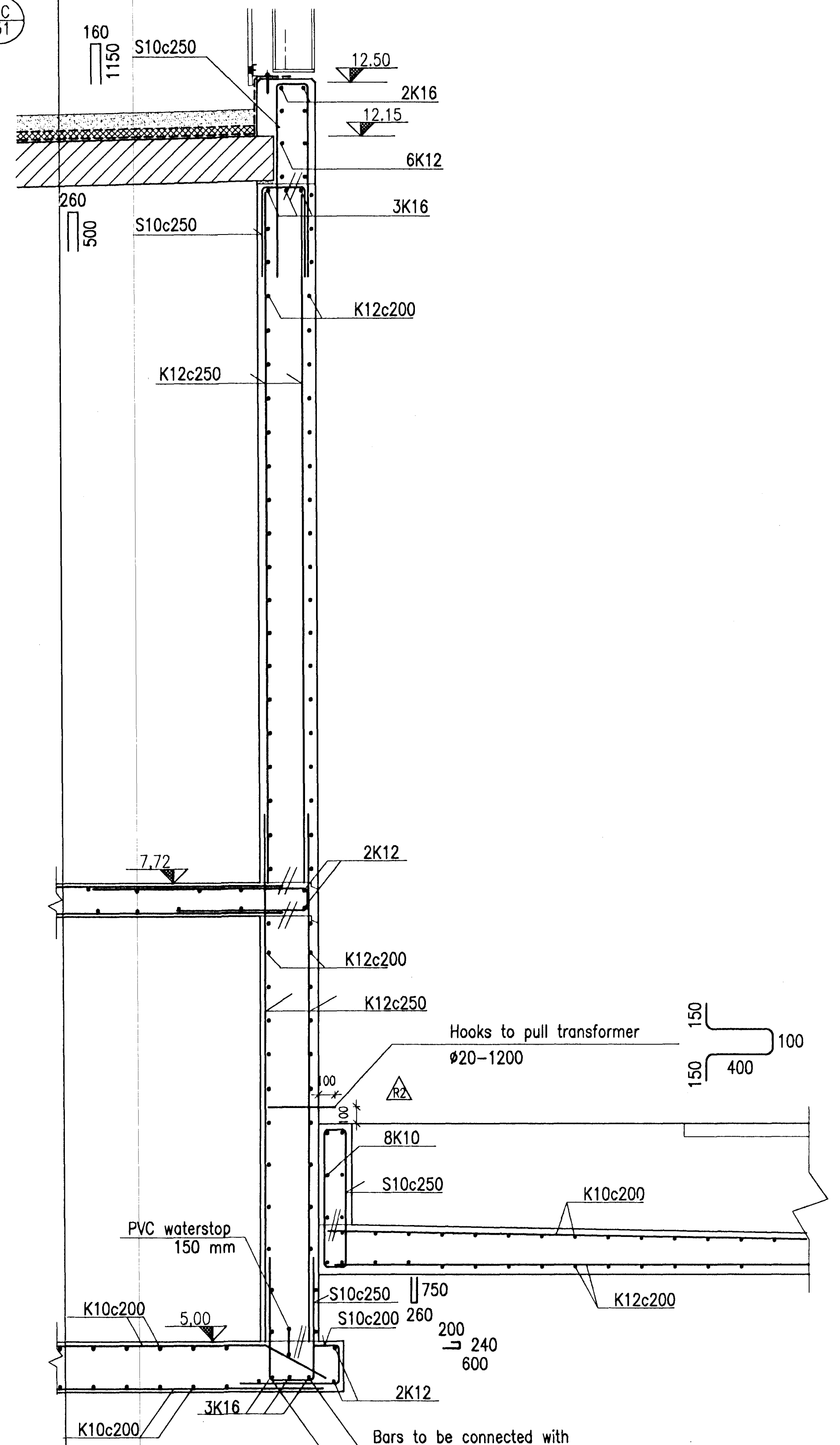
AA
51



BB
51



CC
51



HAZNAVAÐSNEIÐUR
BYGGINGAFLUTRÖÐUN
11/8'96
AFGREITT

REV. NO.	DATE	REVISION	BY	APP.	REV. NO.	DATE	REVISION	BY	APP.	NOTES	REFERENCE DRAWING	DRAWING NUMBER
2	1998.08.09	WATERSTOPS DELETED. ELEV. CORRECTED. HOOKS SHOWN.	FGS	N.I.								
1	1998.07.10	APPROVED FOR CONSTRUCTION	FGS	N.I.								

VST CONSULTING ENGINEERS Ltd. Arnúla 4 · 108 Reykjavík · Iceland Tel: +354 569 5000 Fax: +354 569 5010	DRAWN 98.08.03 SGI APPROVED 98.08.03 FGS PROCESS 98.08.03 NI PROJECT 98.08.03 NI SCALE 1:20 DRAWN AT	95.120 - 26.053 SWITCHYARD AND MAIN SUBSTATION CONCRETE WORK WALLS, SECTIONS AA, BB, CC REINFORCEMENT
	ALUSUISSE ENGINEERING LTD. ZÜRICH SWITZERLAND	79000-32353 2
ICELANDIC ALUMINIUM CO. LTD		188.353