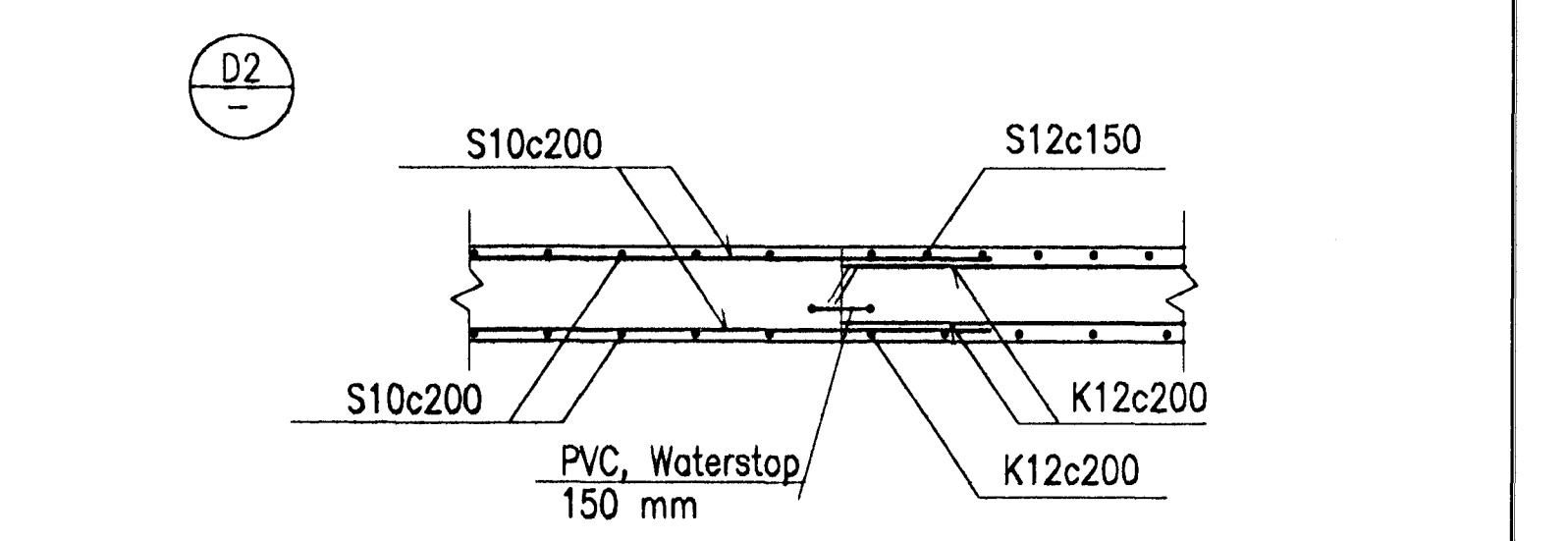
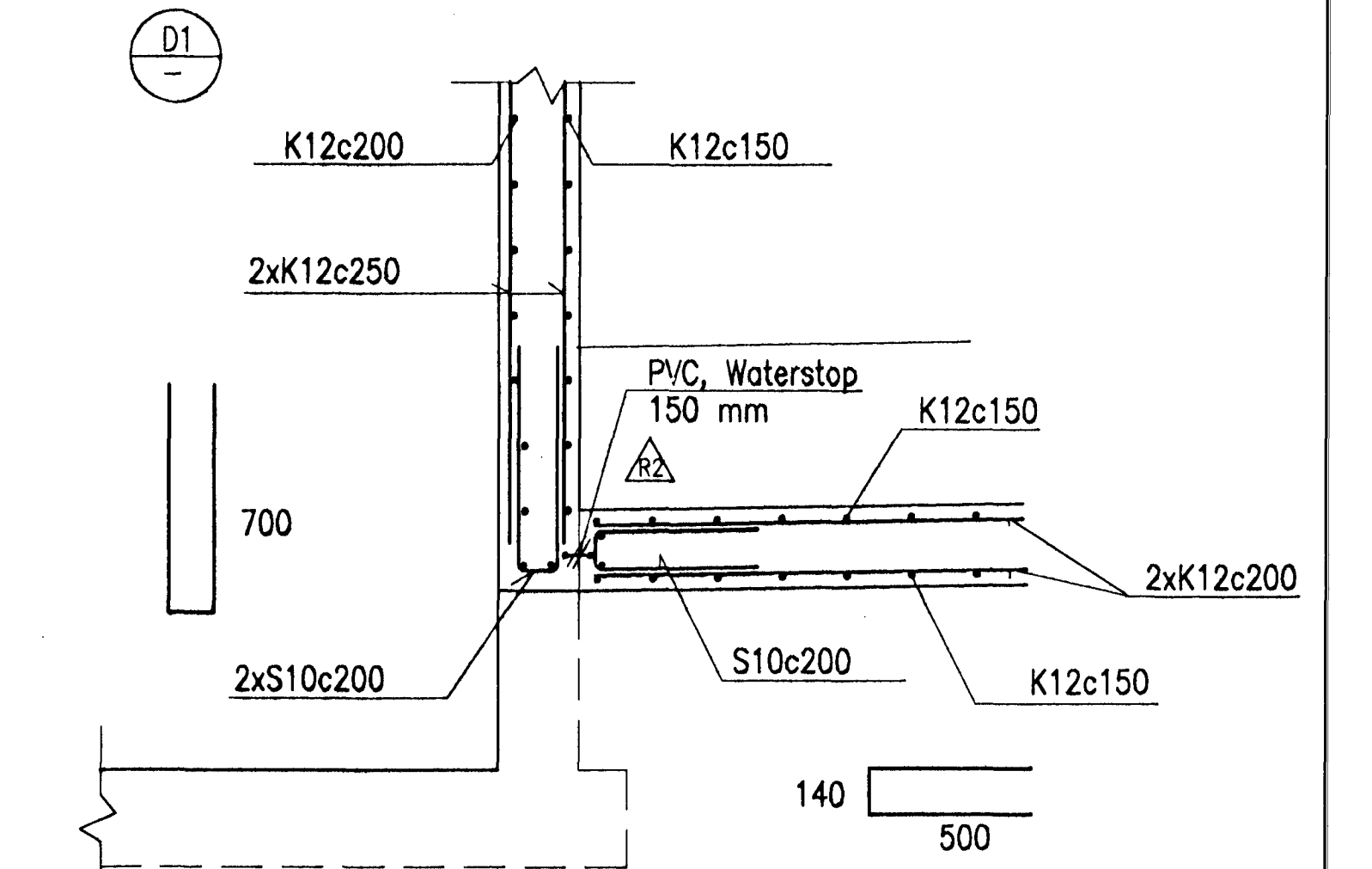
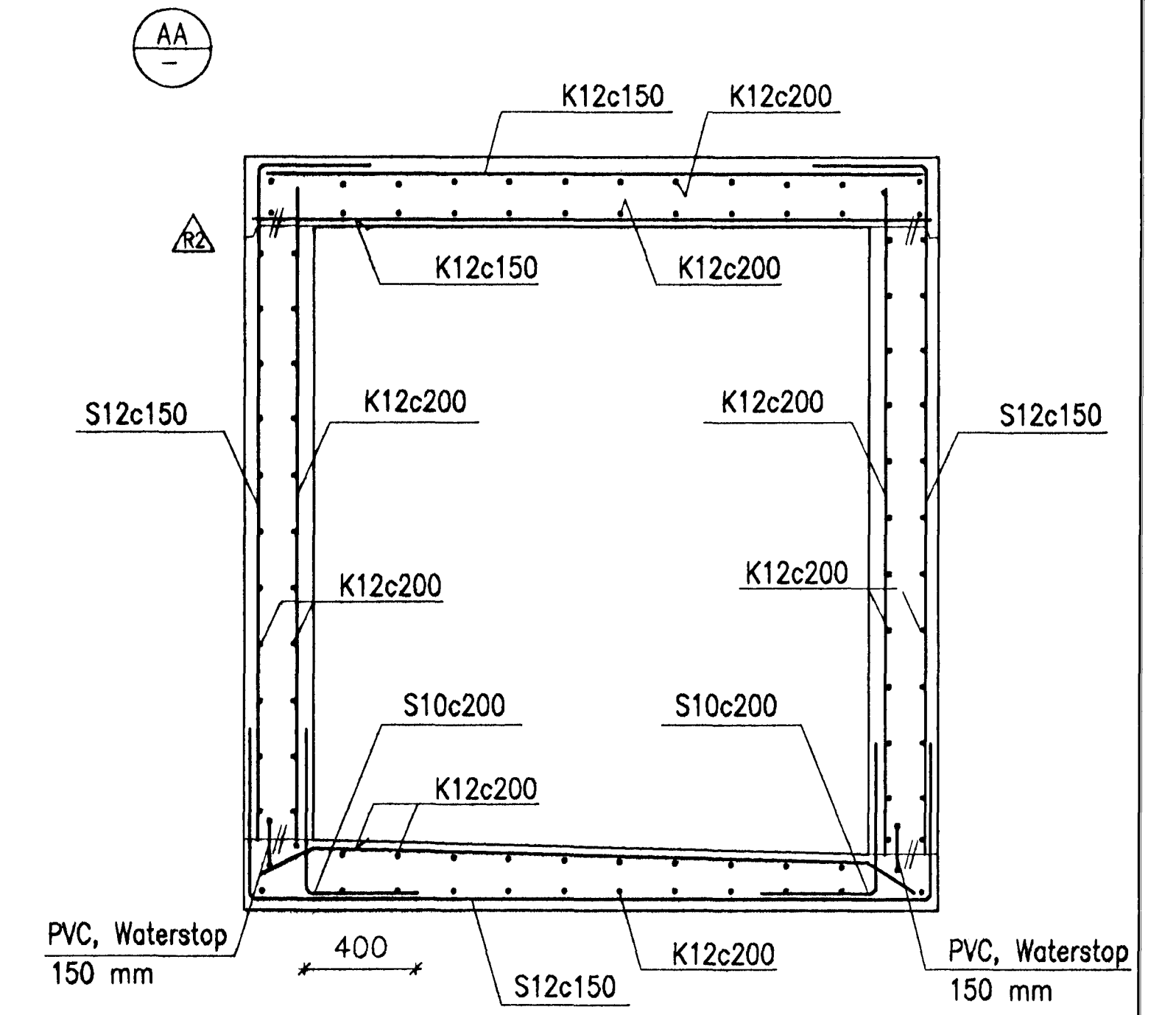
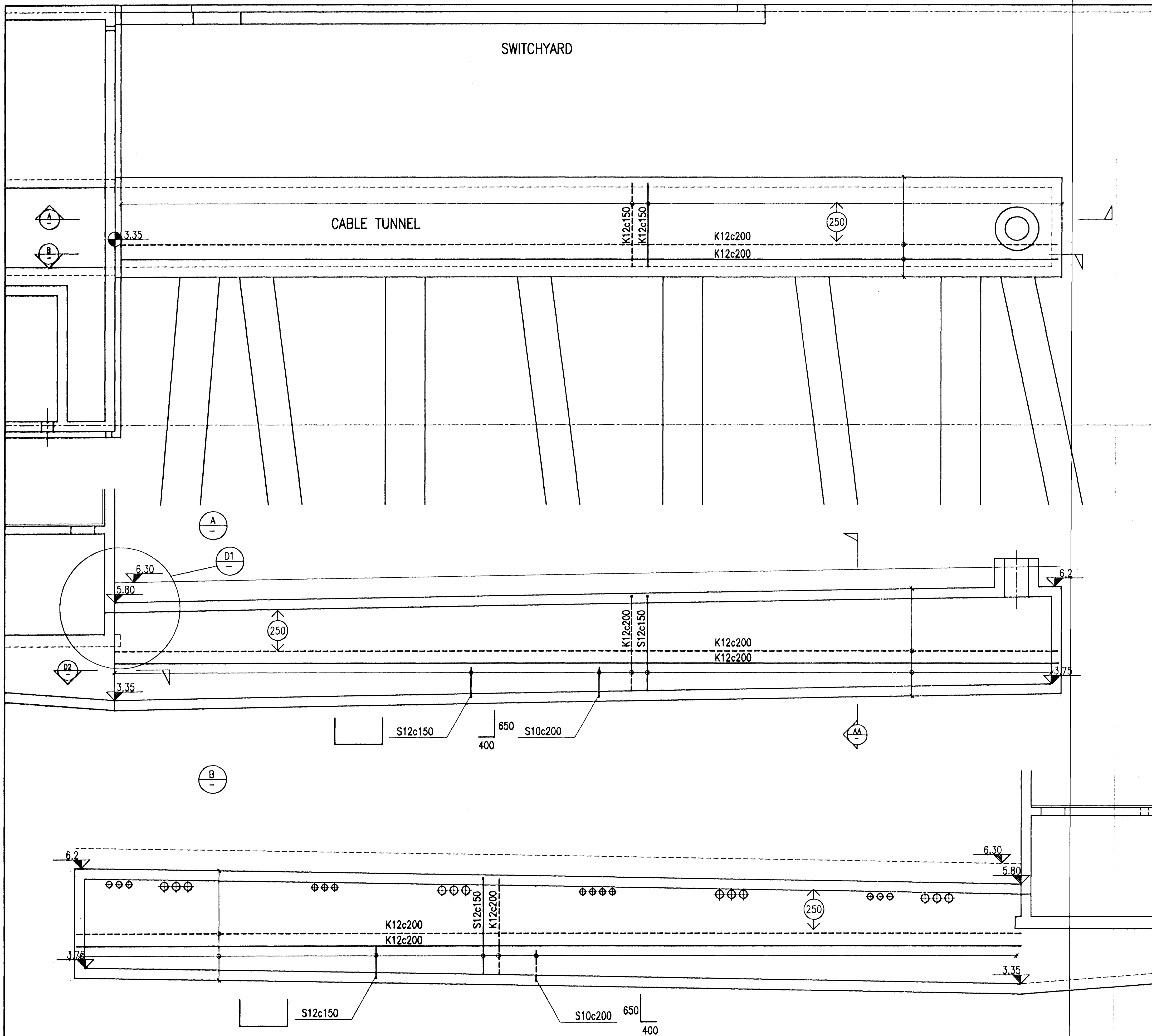


SWITCHYARD

CABLE TUNNEL



HAFAREYÐUR  
BYGGINGAFLITRÚNIR  
AFGREIFT  
14/2/96  
RCS

<b>VST CONSULTING ENGINEERS Ltd.</b> Armula 4 108 Reykjavik Iceland Tel: +354 569 5000 Fax: +354 569 5010	DRAWN 96.06.25 FGS APPROVED 96.06.25 FGS PROCESS 96.06.25 NI PROJECT 96.06.25 NI SCALE 1:50 FORNAT A1	95.120 - 26.064 SWITCHYARD AND MAIN SUBSTATION CONCRETE WORK CABLE TUNNEL REINFORCEMENT
	<b>ALUSUISSE ENGINEERING LTD.</b> ZÜRICH SWITZERLAND	79000-35364 2
<b>ICELANDIC ALUMINIUM CO. LTD</b>	188.364	

REV. NO.	DATE	REVISION	BY	APP.	REV. NO.	DATE	REVISION	BY	APP.	NOTES	REFERENCE DRAWING	DRAWING NUMBER
2	1996.08.09	WATERSTOPS DELETED/ADDED.	FGS	N.I.								
1	1996.07.10	APPROVED FOR CONSTRUCTION	FGS	N.I.								

This drawing is our property and given for personal use only. It may not be copied or made available to others without our permission. The receiver is responsible for any misuse.