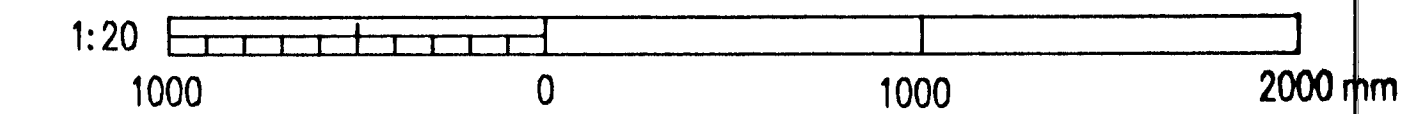
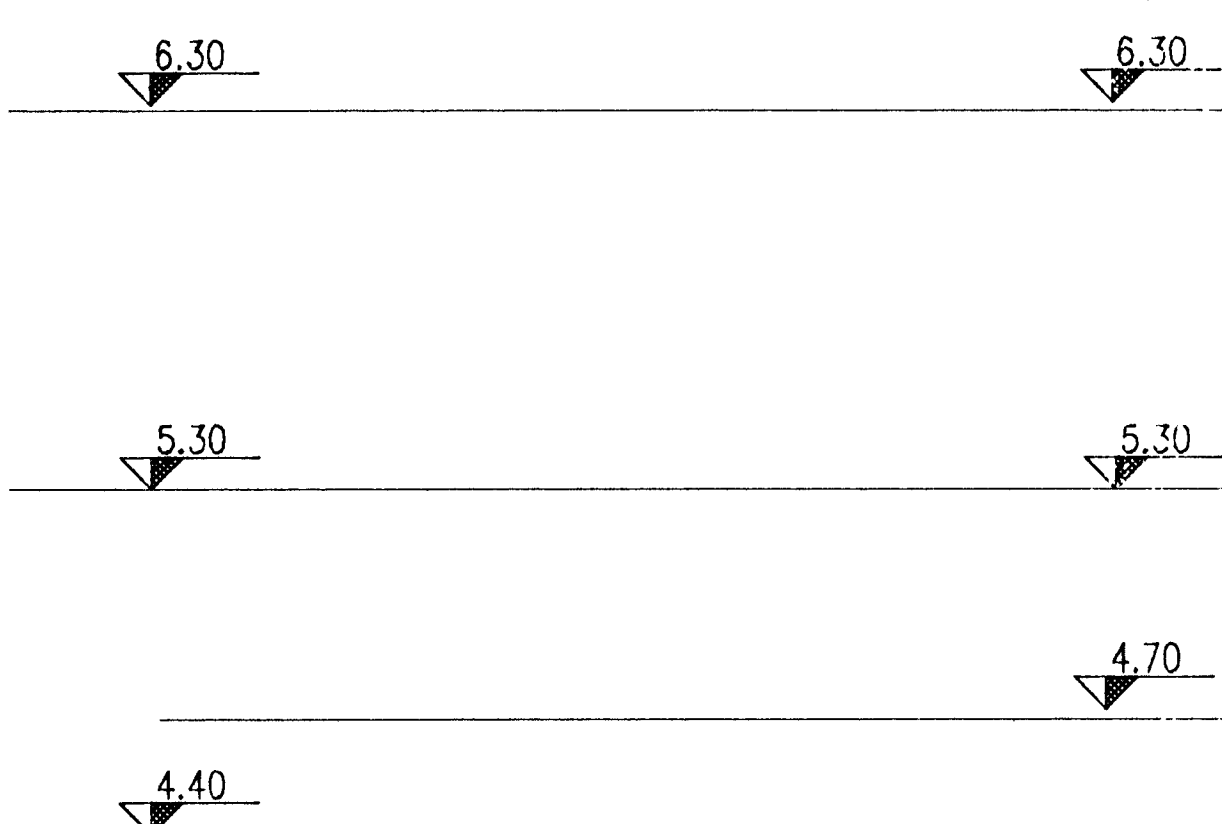
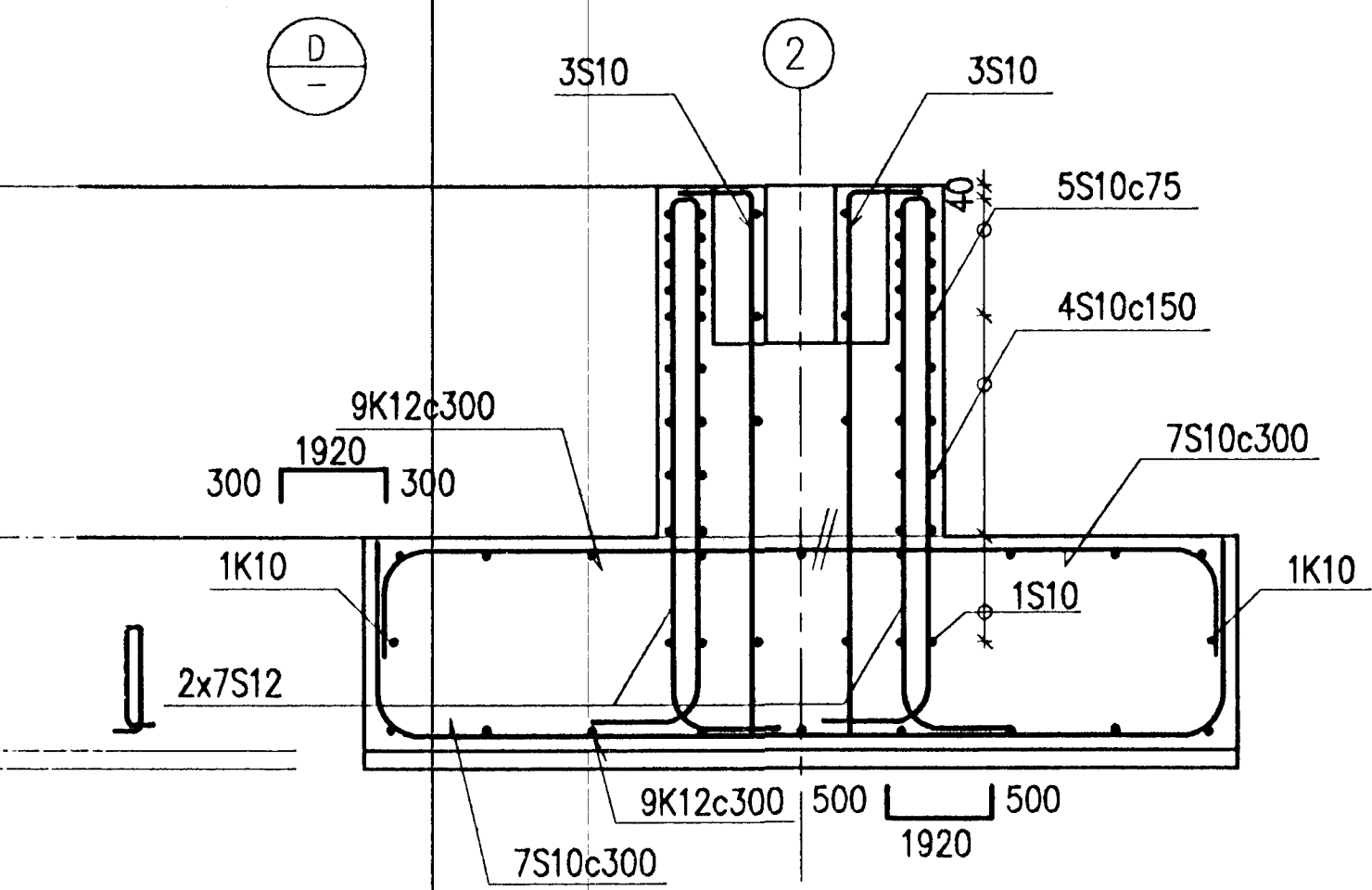
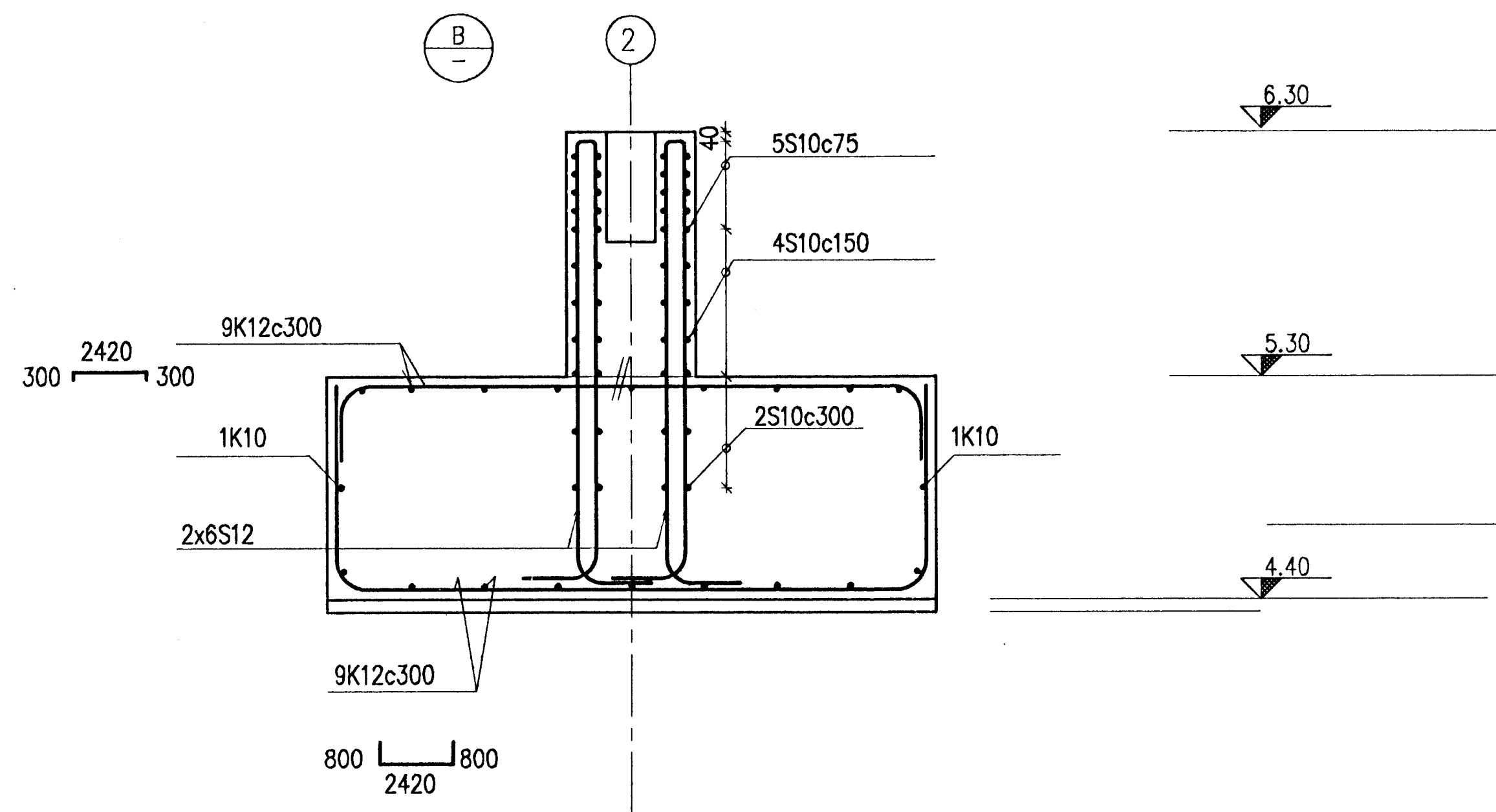
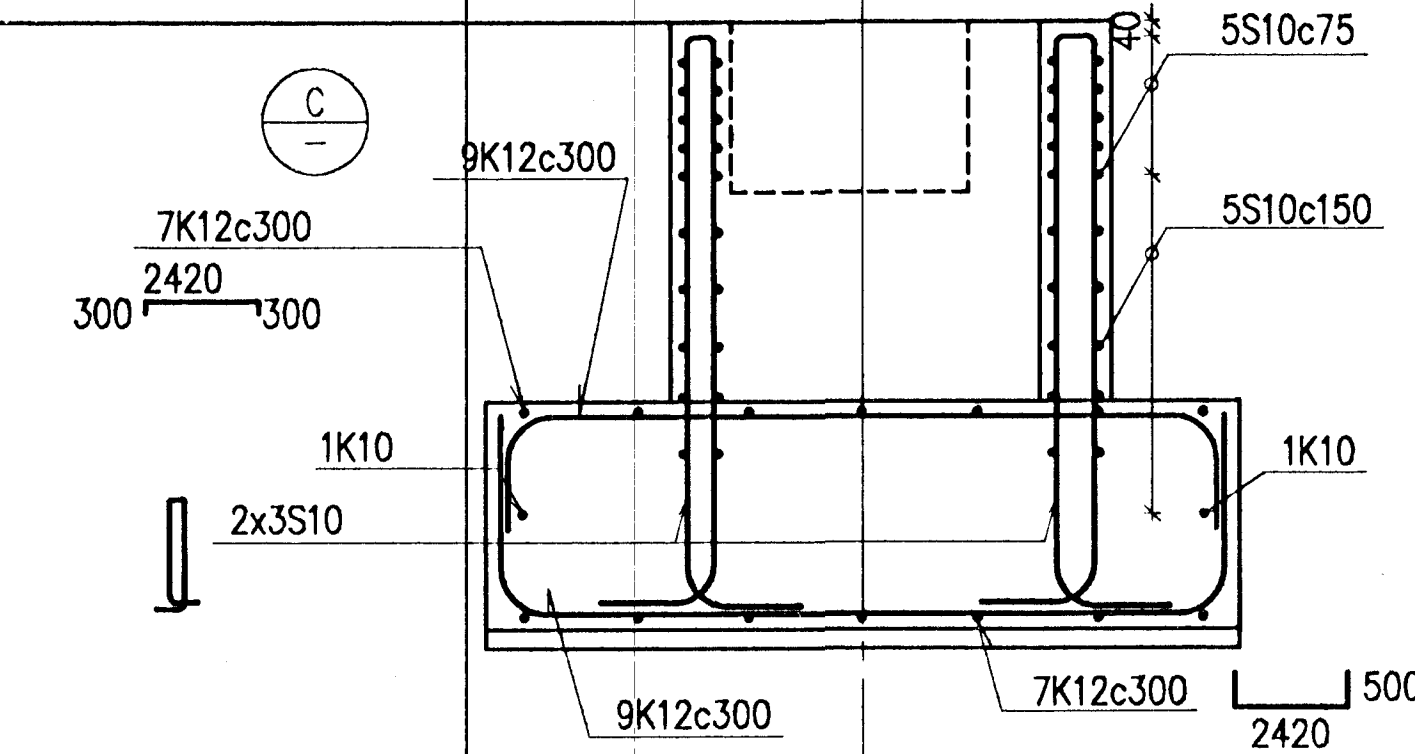
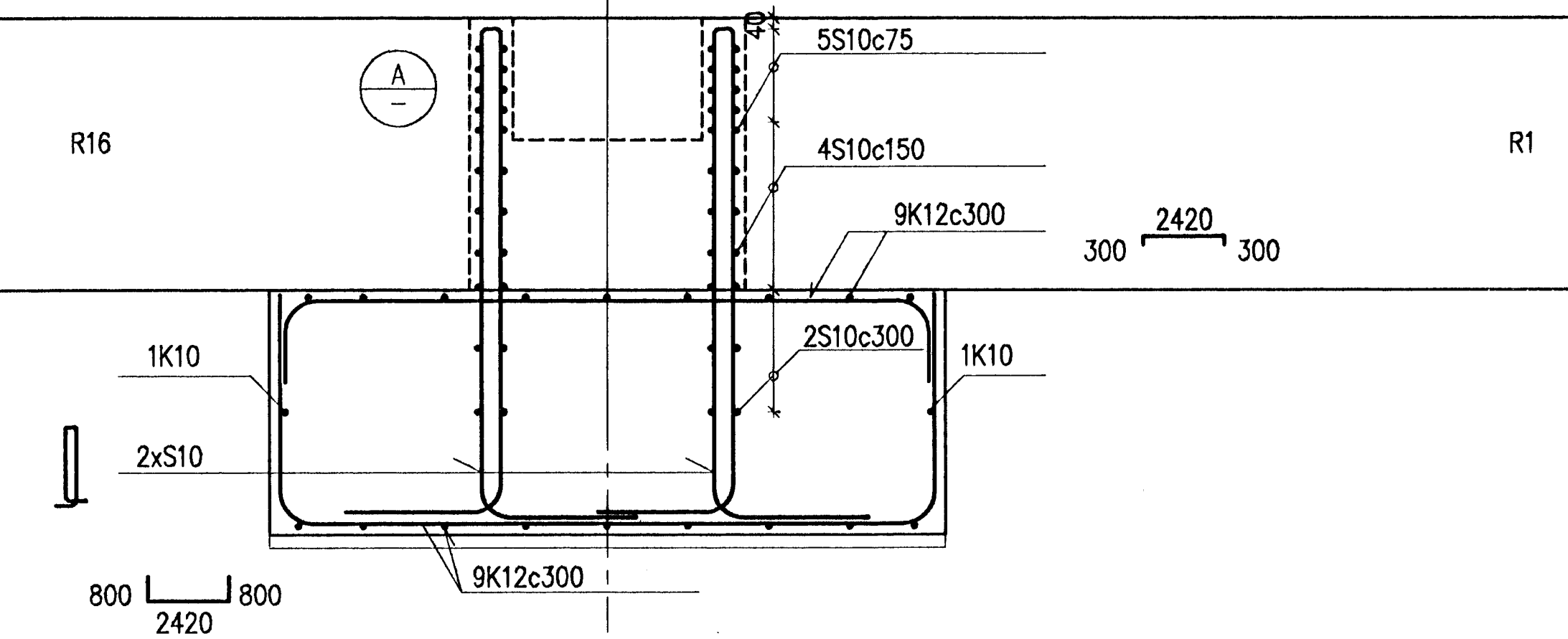
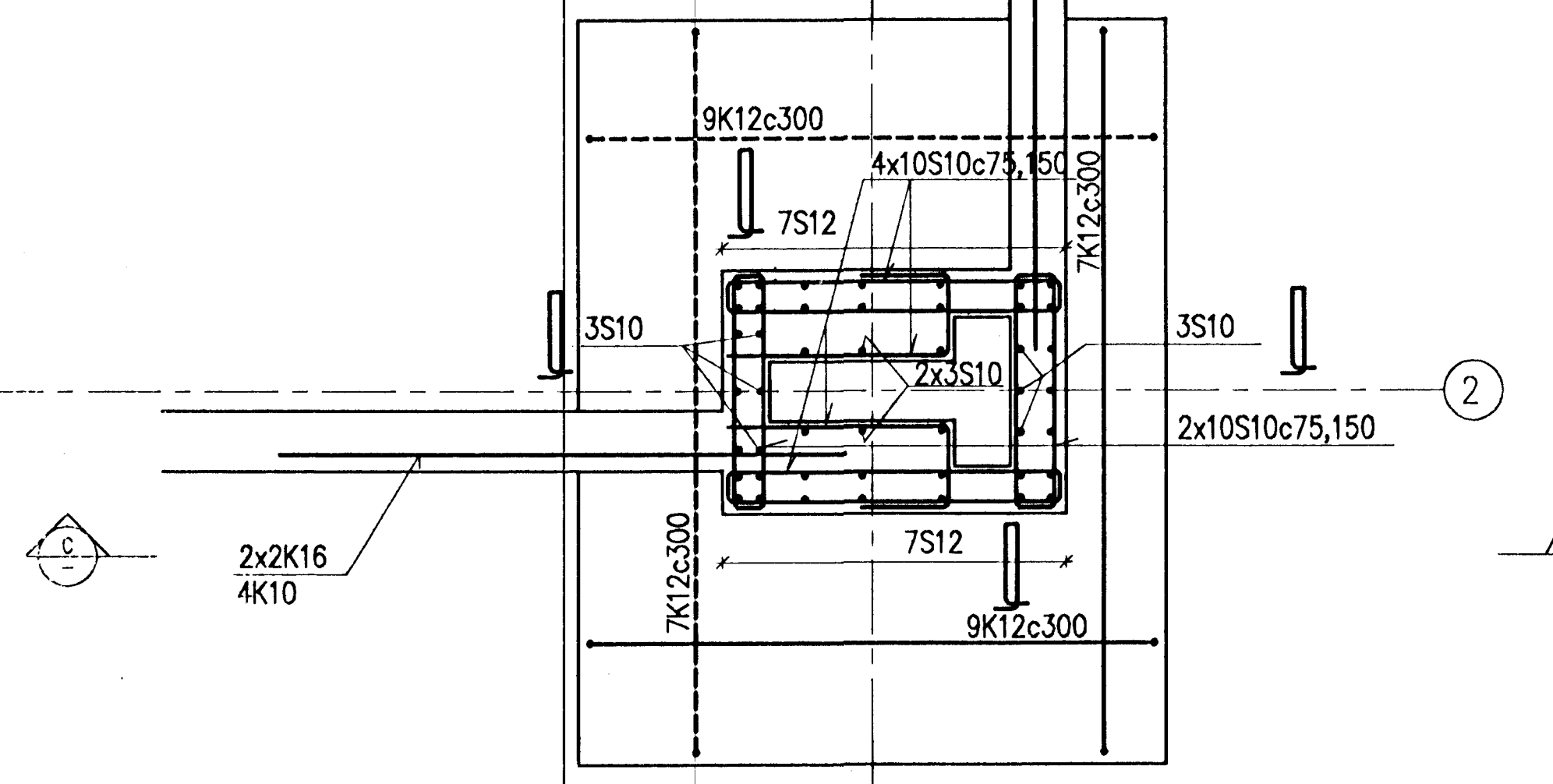
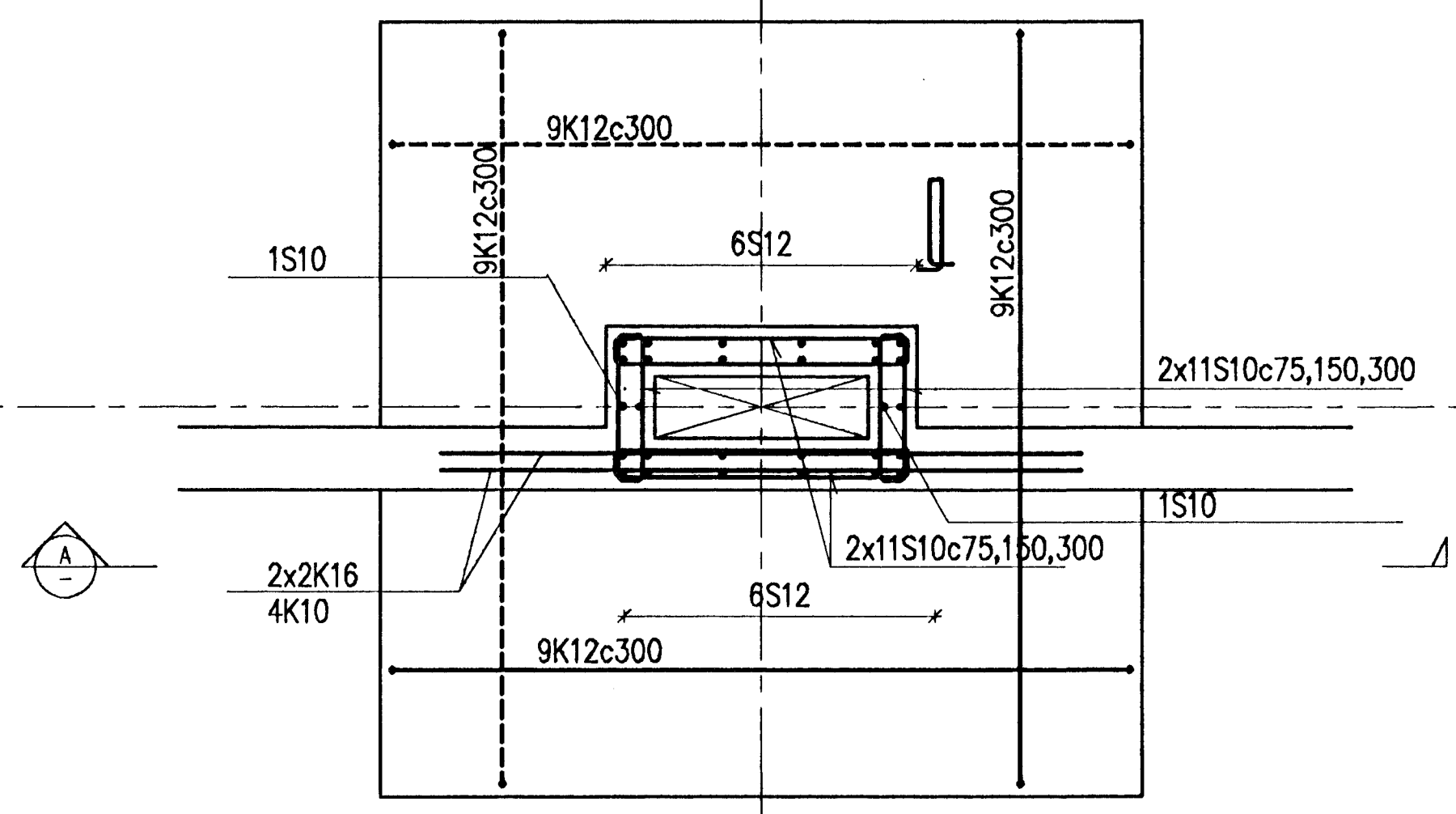


TYPE IIc

TYPE II d



HAUVAFFJÖRÐUR
BYGGINGAFLUTRÖNN
12/196
AFBRETTI

| | | | |
|---|------------------------------------|--------------------------------|------------|
| VST VST CONSULTING ENGINEERS Ltd. Armula 4 108 Reykjavík Íceland Tel:+354 569 5000 Fax:+354 569 5010 | | 95.120 - 26-071 | |
| ICELANDIC ALUMINIUM COMPANY LTD. | DRAWN 98.08.25 SGI | SWITCHYARD AND MAIN SUBSTATION | |
| | APPROVED 98.08.25 FGS | CONCRETE WORK | |
| | PROCESS 98.08.25 NI | FOUNDATIONS IIc AND II d | |
| | PROJECT 98.08.25 NI | REINFORCEMENT | |
| | SCALE 1:20 | | |
| ALUSUISSE ZÜRICH | ALESA ENGINEERING LTD. SWITZERLAND | 79000-35371 | REVISION 1 |
| ICELANDIC ALUMINIUM CO. LTD | | 188.071-371 | |

| REV. NO. | DATE | REVISION | BY | APP. | REV. NO. | DATE | REVISION | BY | APP. | NOTES | REFERENCE DRAWING | DRAWING NUMBER |
|----------|------------|---------------------------|-----|------|----------|------|----------|----|------|-------|-------------------|----------------|
| 1 | 1998.07.10 | APPROVED FOR CONSTRUCTION | FGS | N.I. | | | | | | | | |

This drawing is our property and given for personal use only. It may not be copied or made available to others without our permission. The receiver is responsible for any misuse.