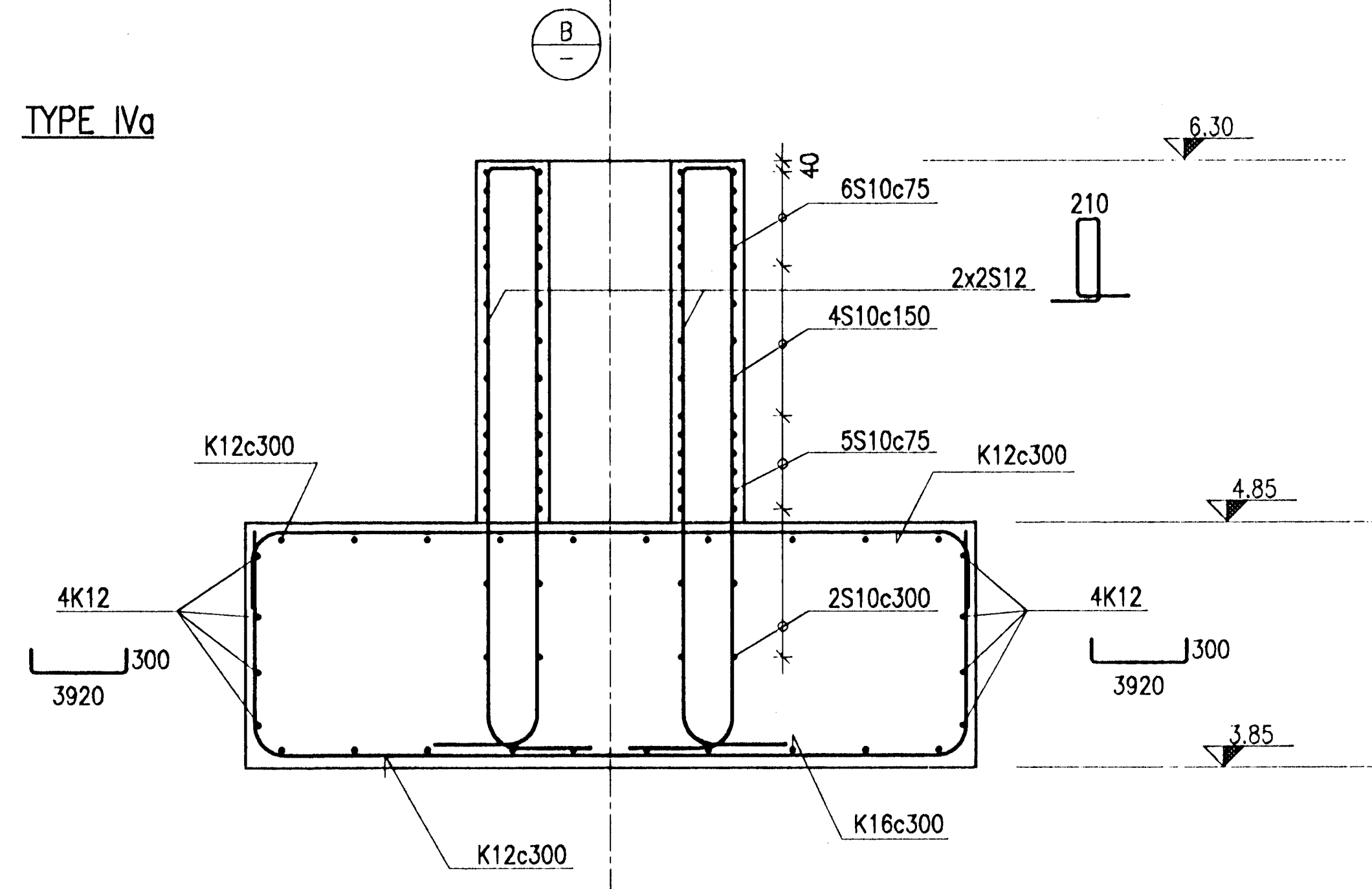
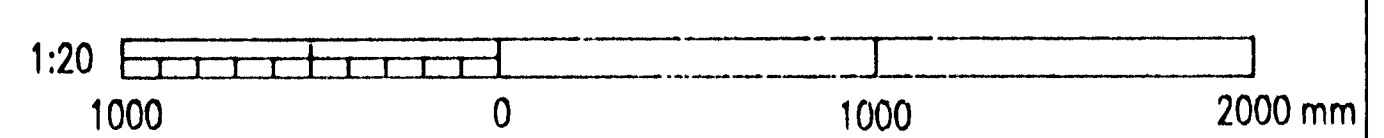
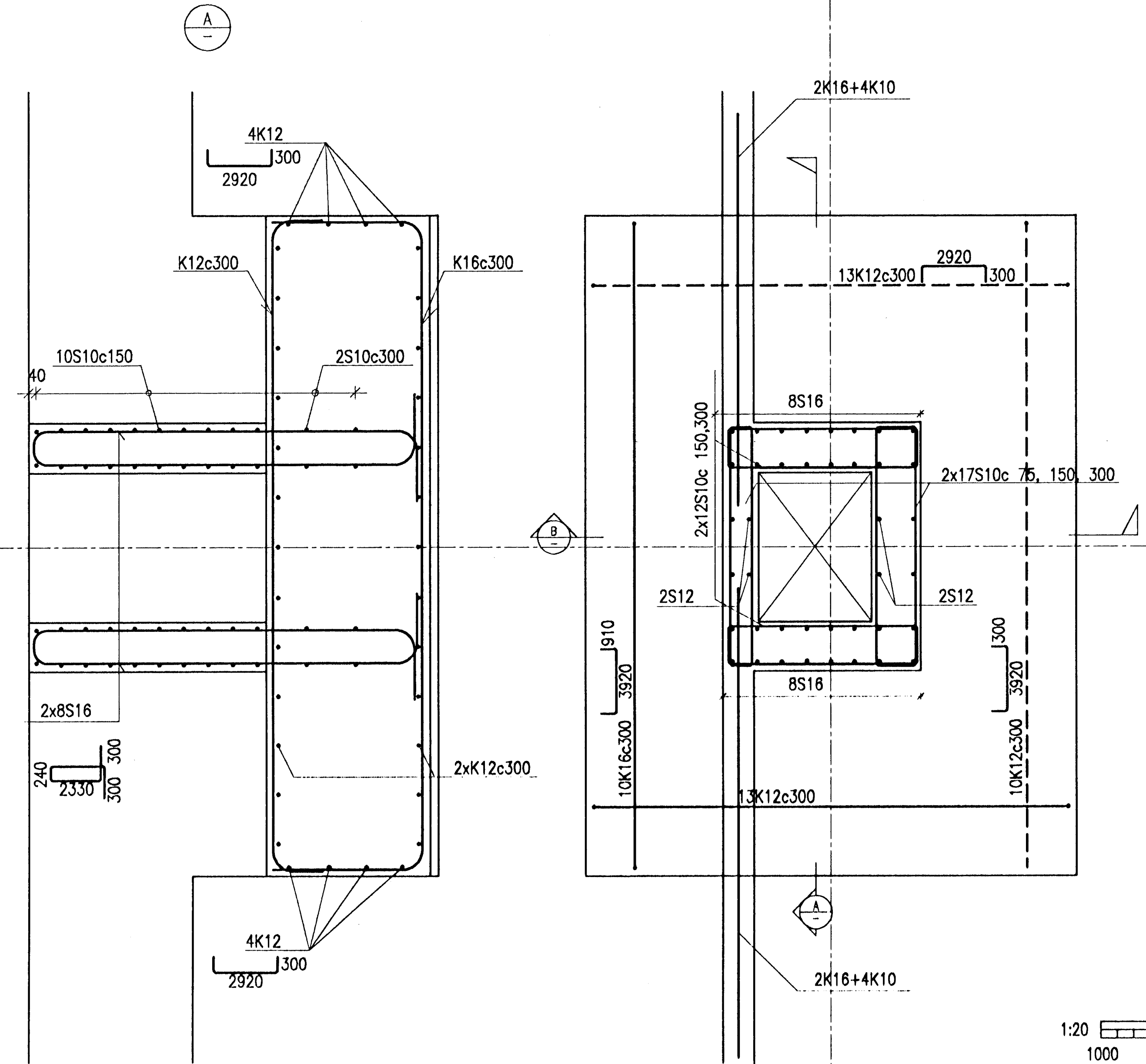
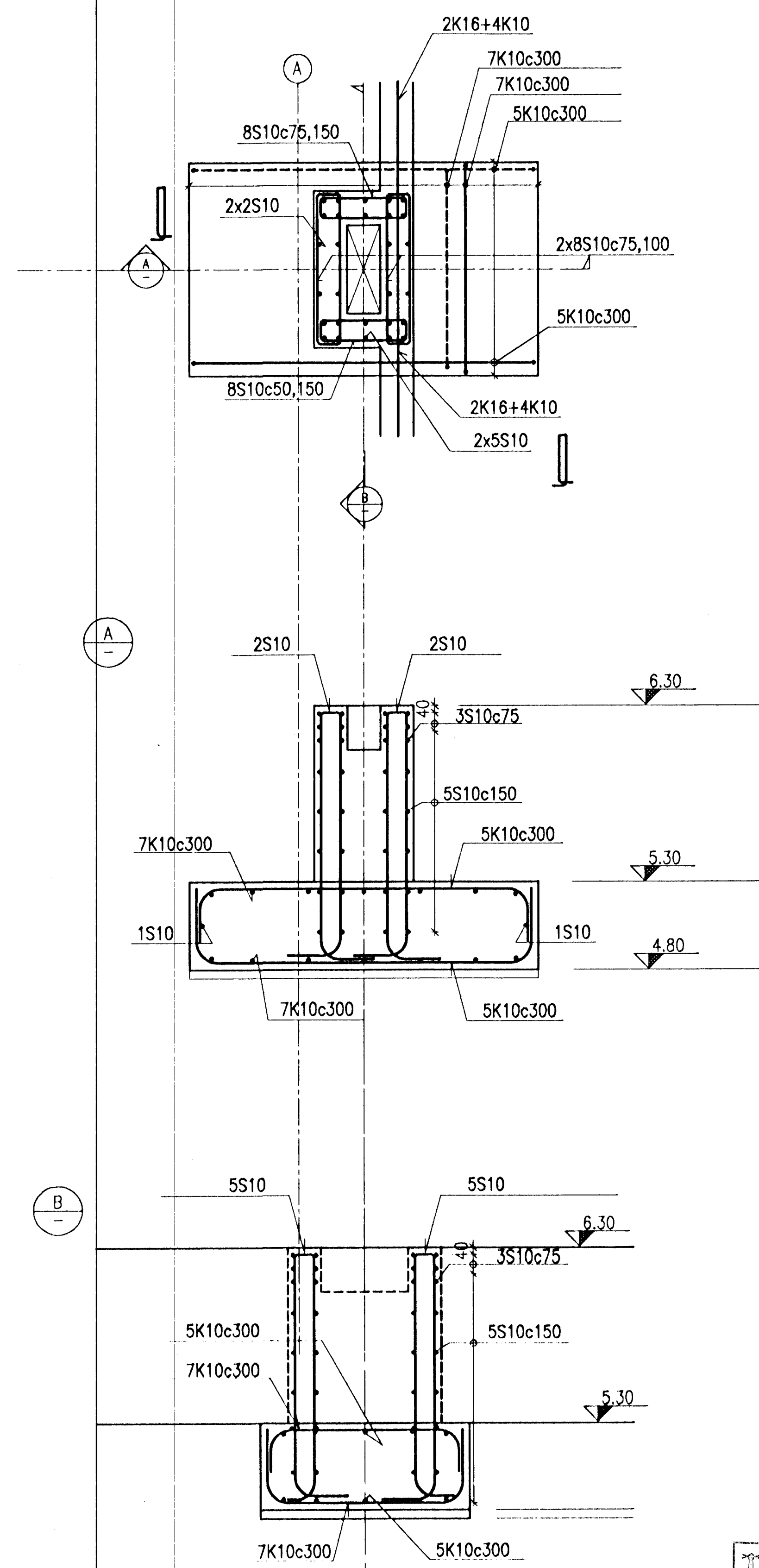


TYPE IVa



TYPE VI



HAERNAFJÖRÐUR
BYGGINGAFLÉTTI
AFSÖFT

VST VST CONSULTING ENGINEERS LTD. Armula 4 108 Reykjavik Iceland Tel: +354 569 5000 Fax: +354 569 5010		95.120 - 26.072
ICELANDIC ALUMINIUM COMPANY LTD.	DRAWN 08.08.28 SGI APPROVED 08.08.28 FGS PROCESS 08.08.28 NI PROJECT 08.08.28 NI SCALE 1:20 PROJECT AT	SWITCHYARD AND MAIN SUBSTATION CONCRETE WORK FOUNDATIONS VI AND IVa REINFORCEMENT
ALUSUISSE ALISA	ALUSUISSE ENGINEERING LTD. ZÜRICH SWITZERLAND	79000-35372
ISAL	ICELANDIC ALUMINIUM CO. LTD	188.372

REV. NO.	DATE	REVISION	BY	APP.	REV. NO.	DATE	REVISION	BY	APP.	NOTES	REFERENCE DRAWING	DRAWING NUMBER
1	1998.07.10	APPROVED FOR CONSTRUCTION	FGS	A.J.I.								