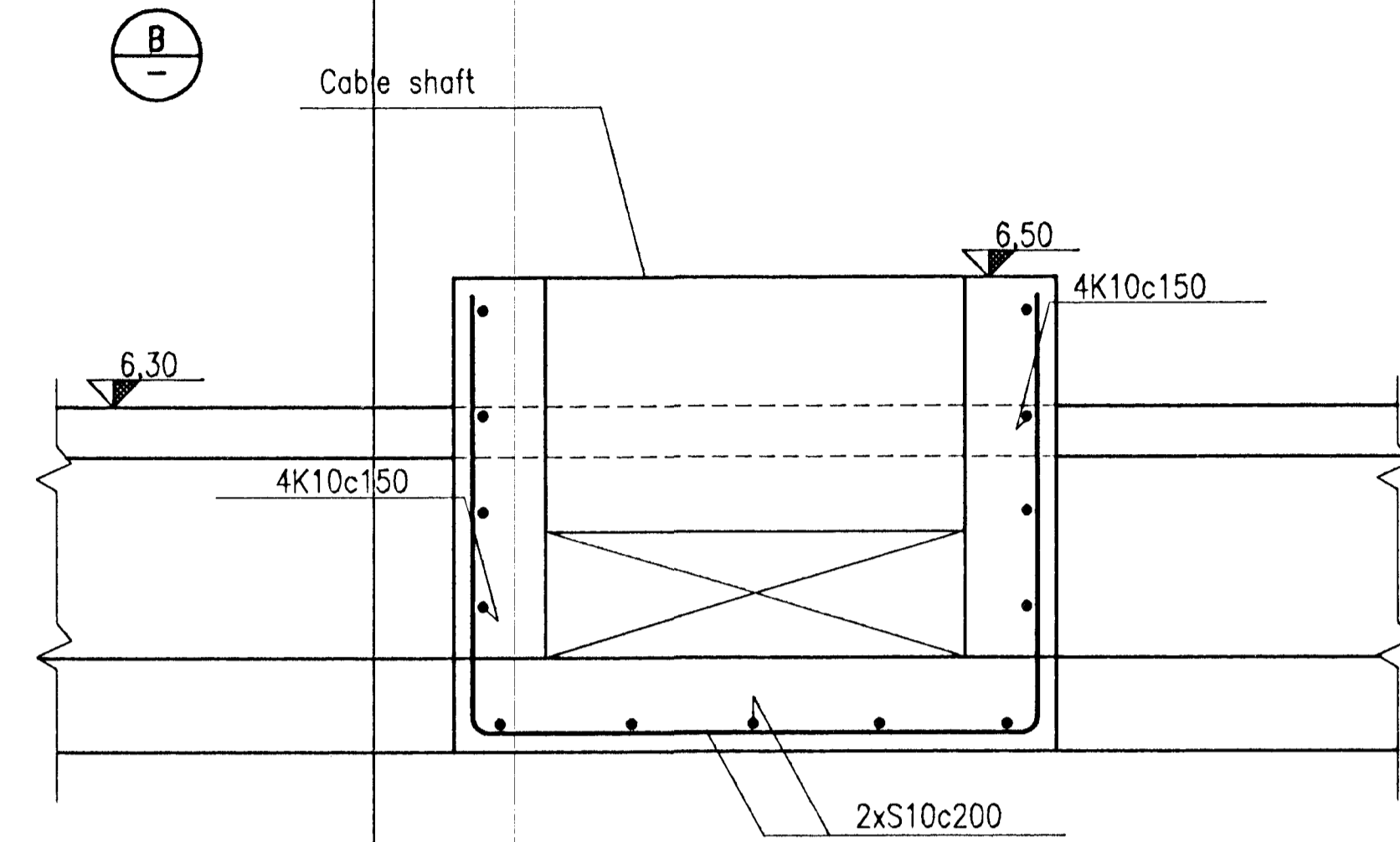
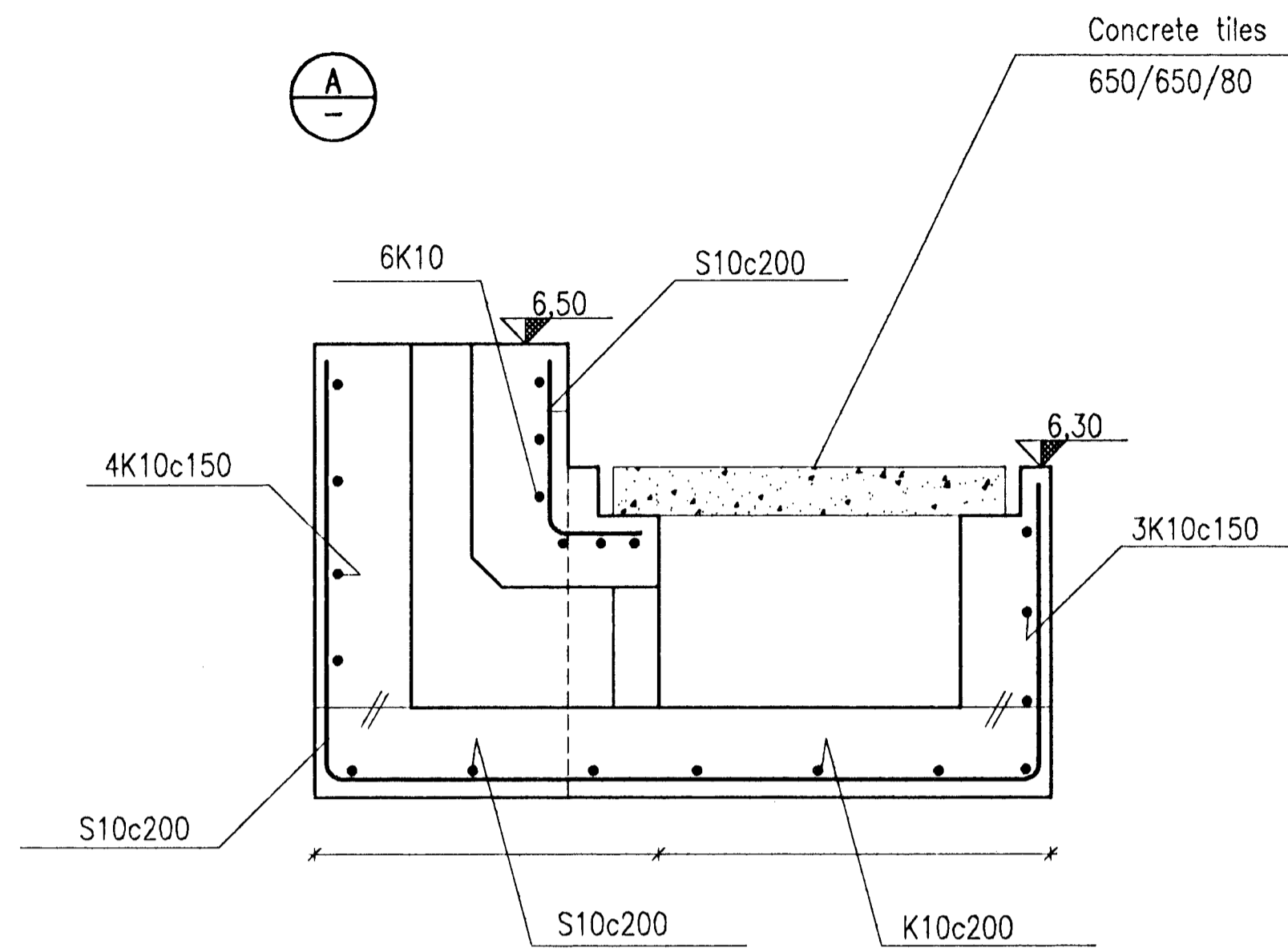
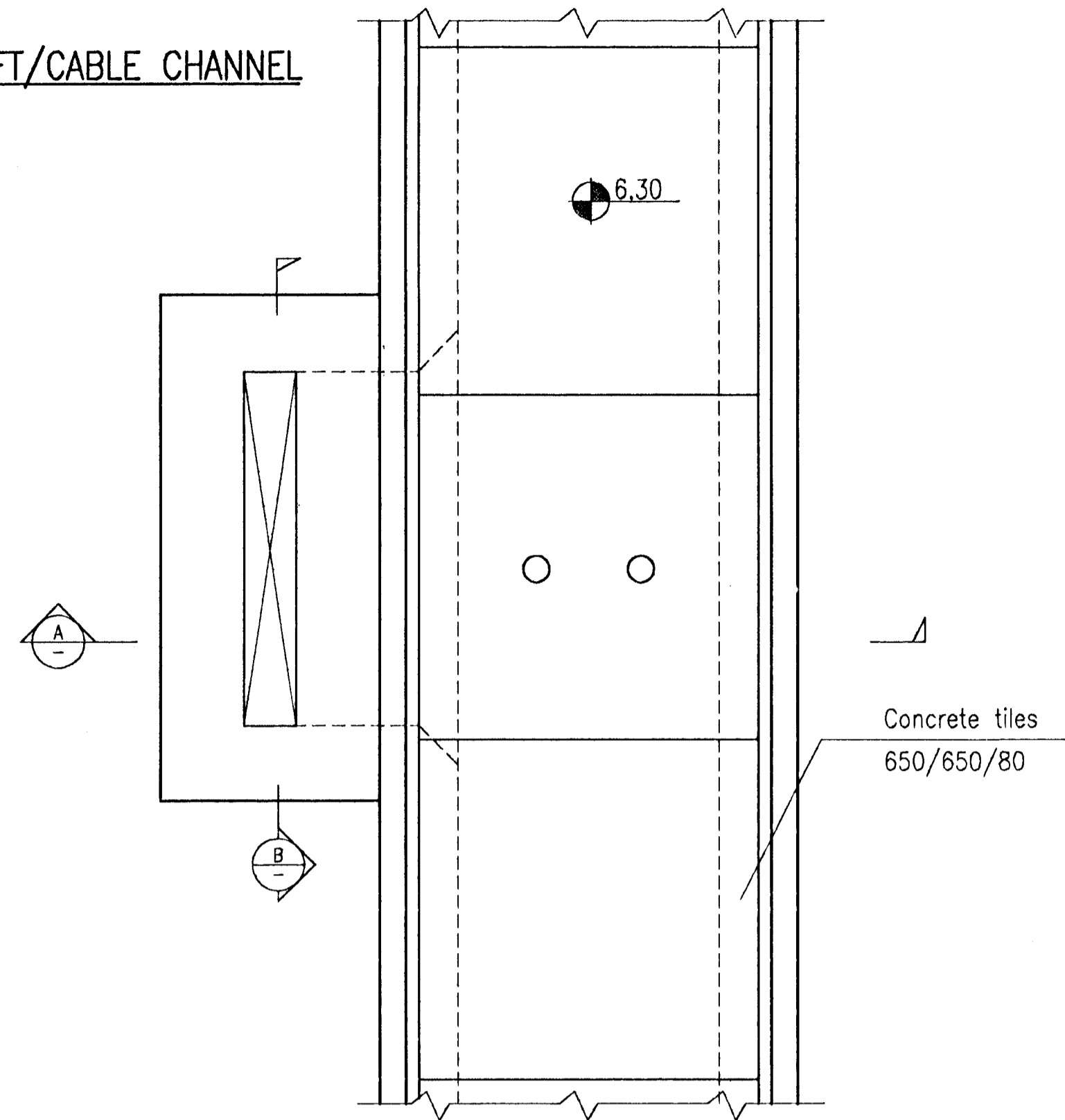
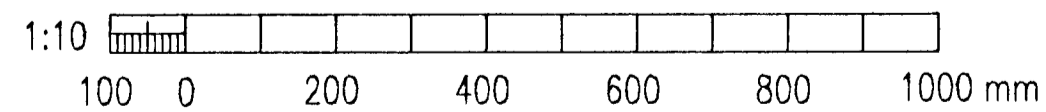
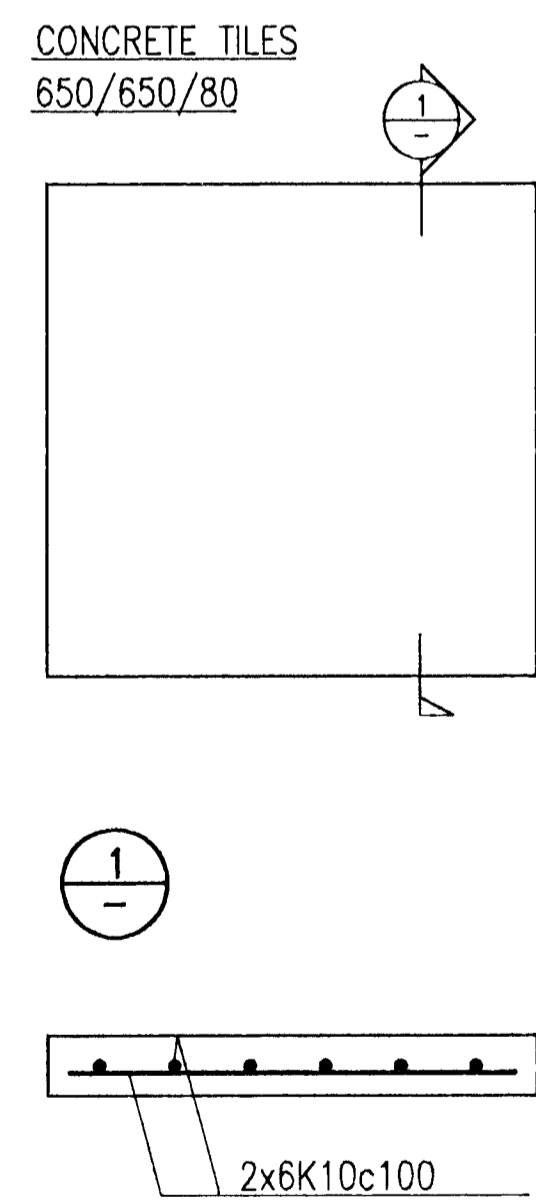
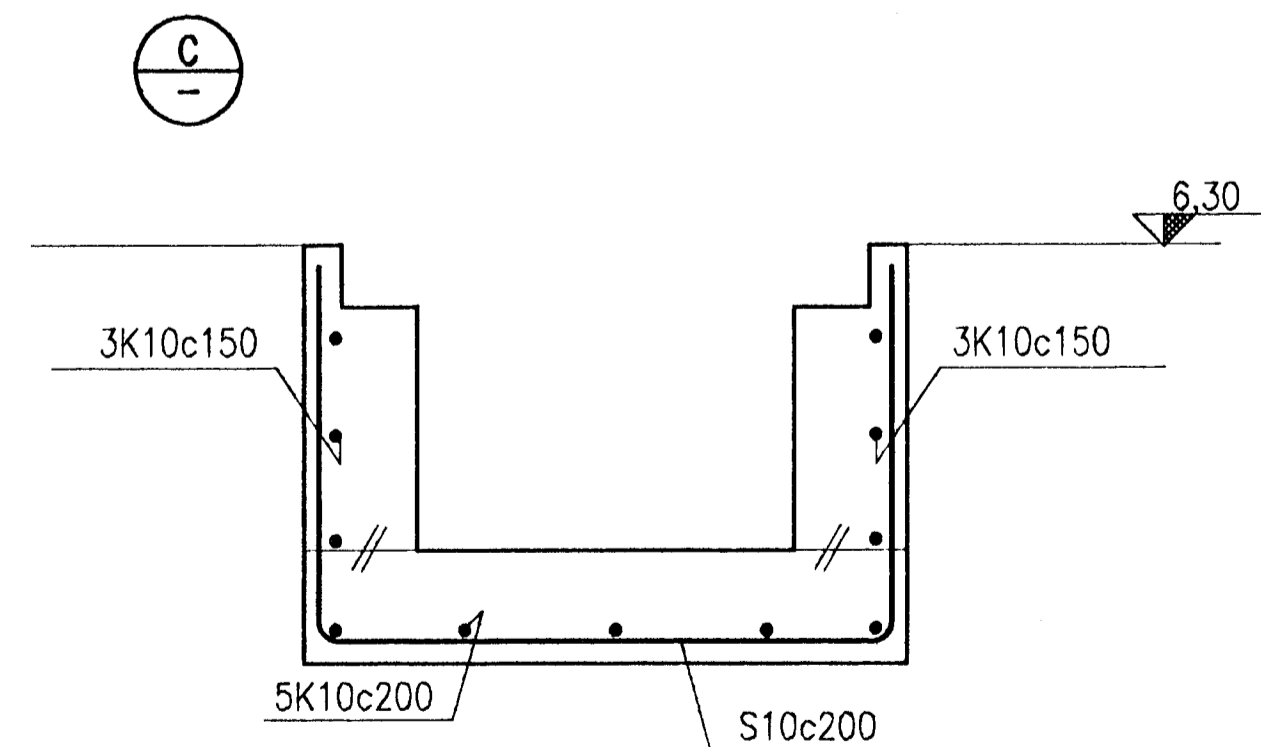
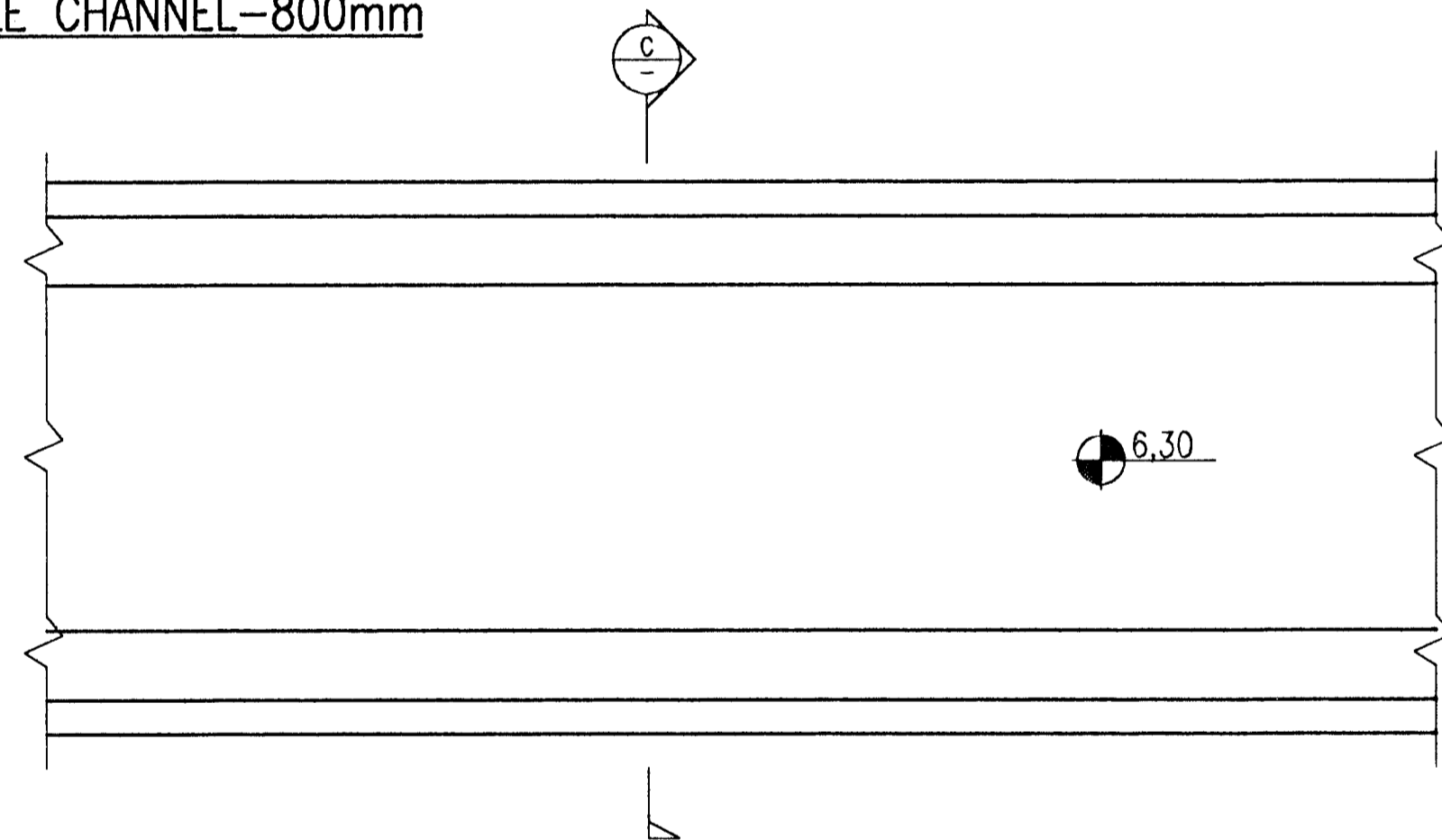


CABLE SHAFT/CABLE CHANNEL

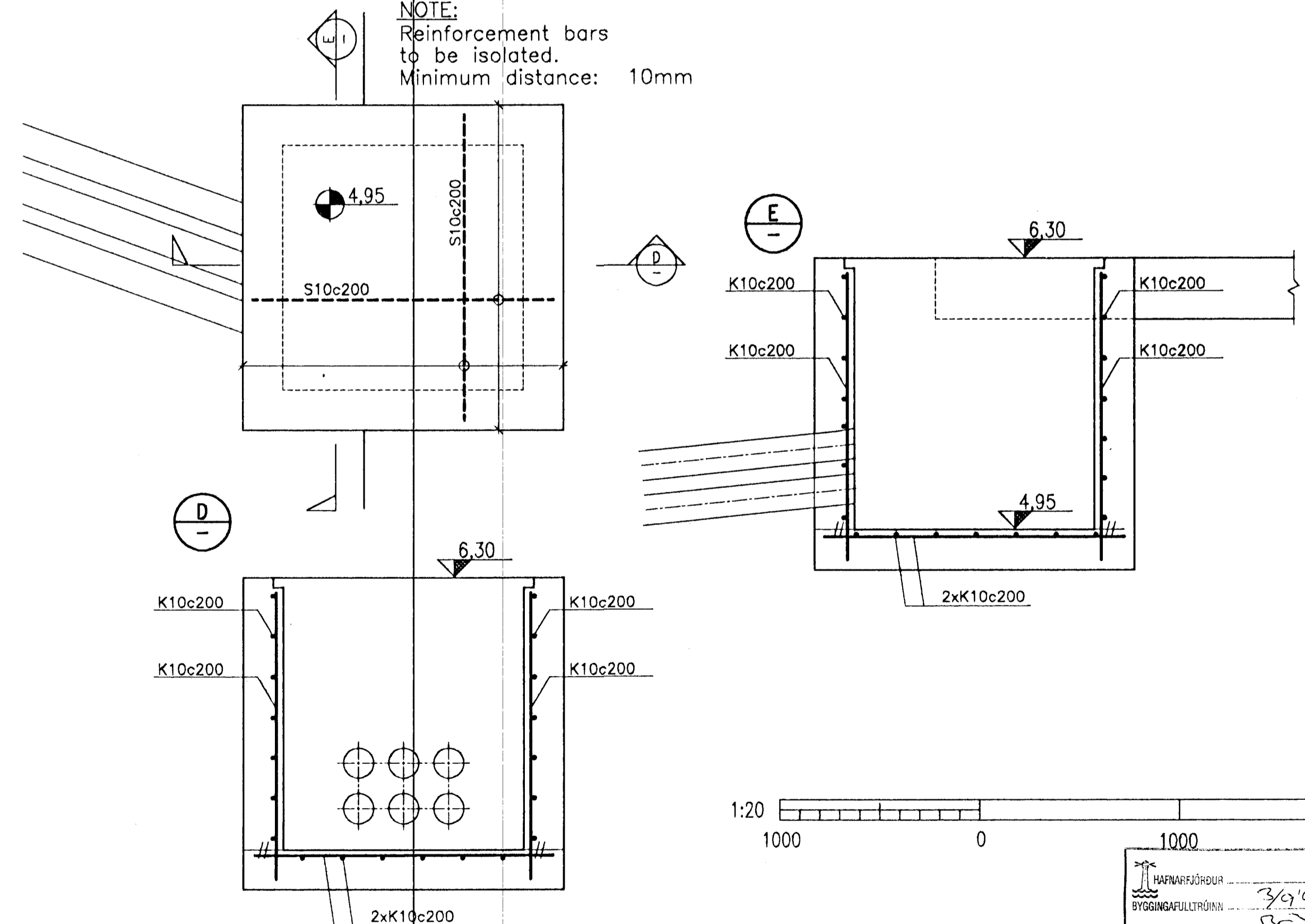


CABLE CHANNEL-800mm



MANHOLE IN 220kV SWITCHGEAR

NOTE:  
Reinforcement bars  
to be isolated.  
Minimum distance: 10mm



HAFAHAFESJÓÐUR  
BYGGINGAFULLTRÚÐIN  
AFGRETTI

<b>VST</b> VST CONSULTING ENGINEERS Ltd. Armúgá 4 108 Reykjavík Iceland Tel:+354 569 5000 Fax:+354 569 5010		95.120 - 26.075
<b>ICELANDIC ALUMINIUM COMPANY LTD.</b>	DRAWN 08.07.08 SGI APPROVED 08.07.08 FGS PROCESS 08.07.08 NI PROJECT 08.07.08 NI SCALE 1:10,20 DRAWN AT	SWITCHYARD AND MAIN SUBSTATION CONCRETE WORK CABLE SHAFT & CABLE CHANNELS REINFORCEMENT
ALUSUISSE ALESA	ALUSUISSE ENGINEERING LTD. ZÜRICH SWITZERLAND	79000-35375
ISAL	ICELANDIC ALUMINIUM CO. LTD	188.375

REV. NO.	DATE	REVISION	BY	APP.	REV. NO.	DATE	REVISION	BY	APP.	NOTES	REFERENCE DRAWING	DRAWING NUMBER
2	1996.08.30	CABLE CHANNEL 600MM & TILES 450MM DELETED. MANHOLE.	FGS	N.I.								
1	1996.07.10	APPROVED FOR CONSTRUCTION	FGS	N.I.								

This drawing is our property and given for personal use only. It may not be copied or made available to others without our permission. The receiver is responsible for any misuse.