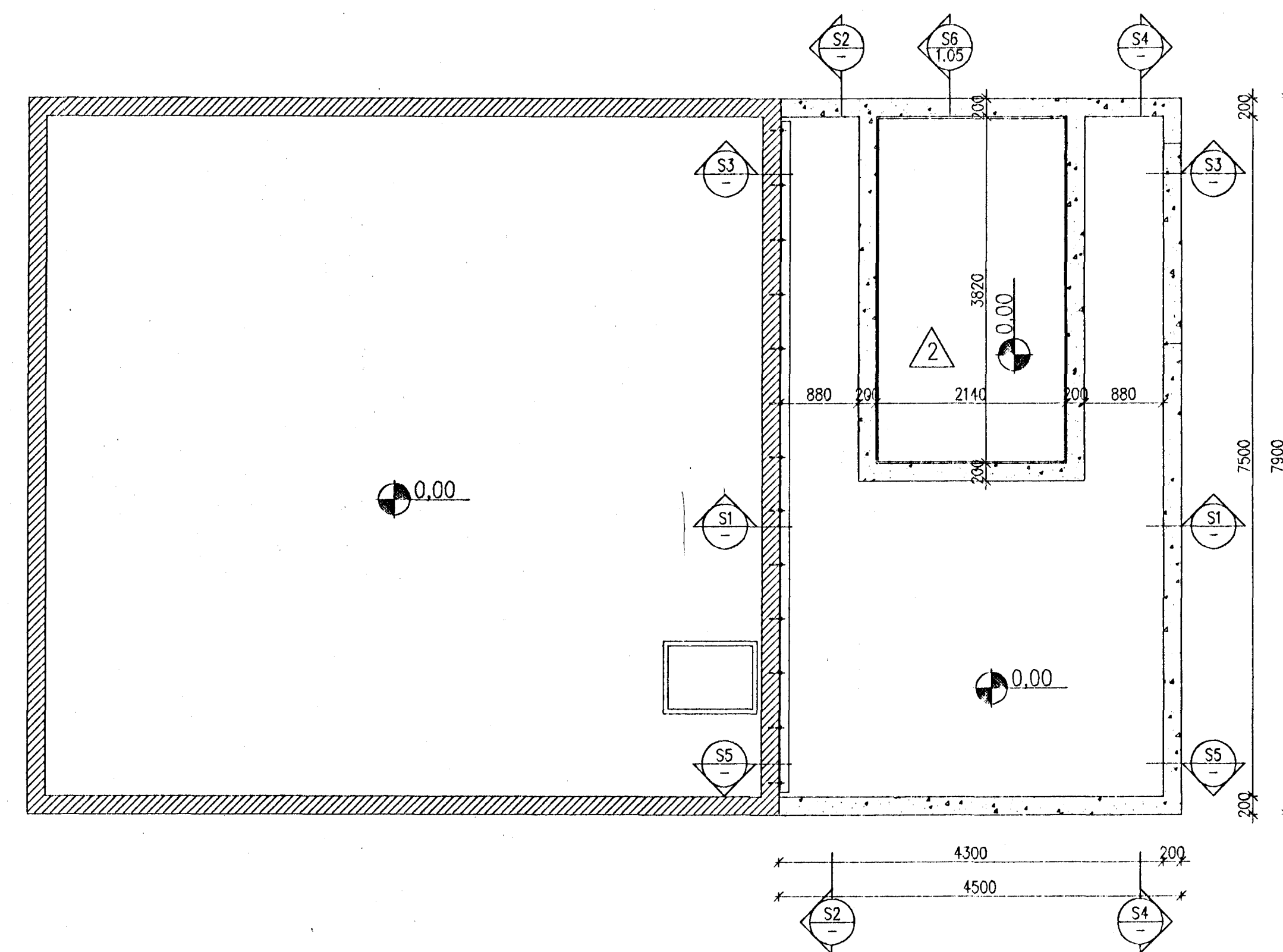
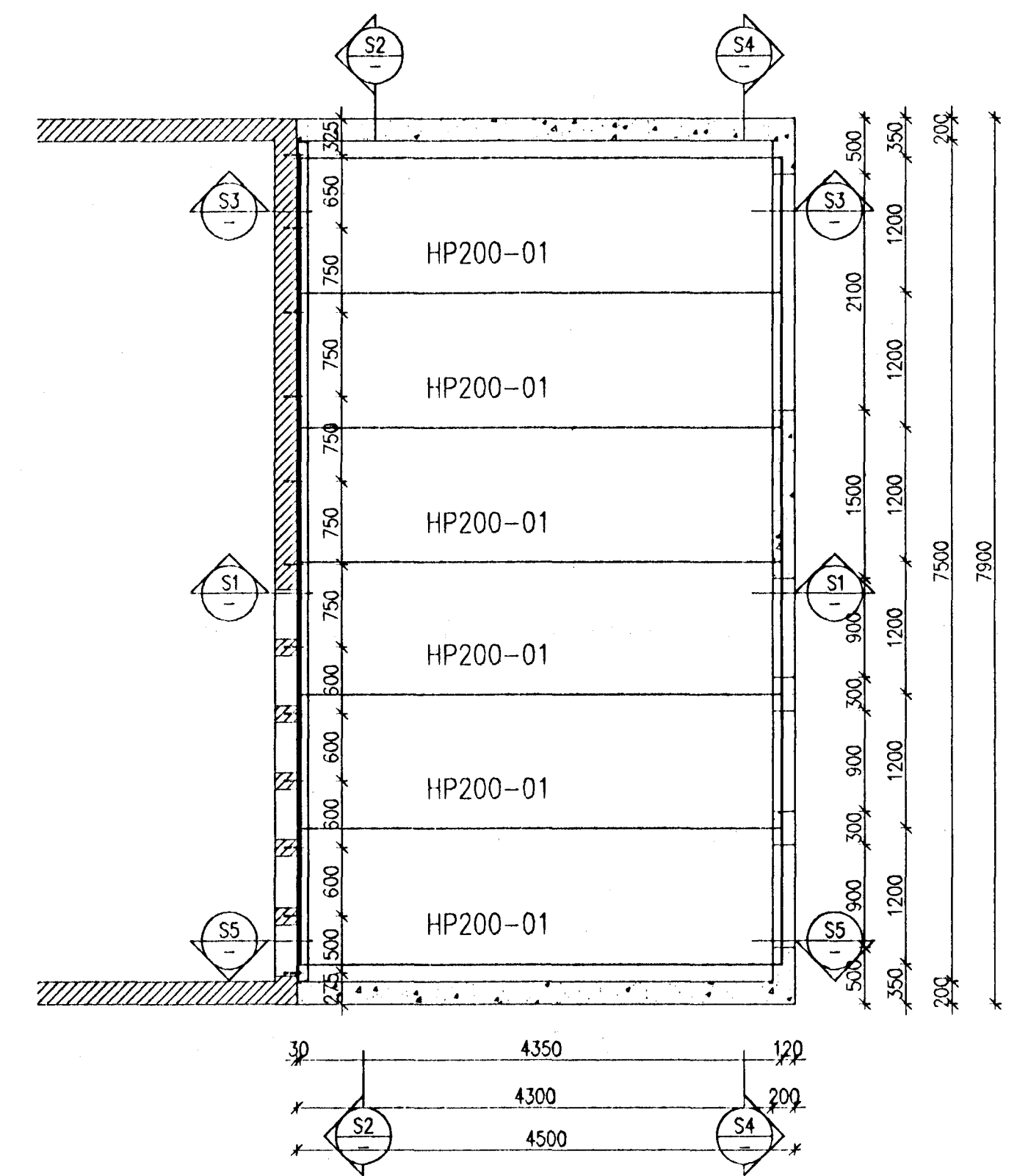


FOUNDATION PLAN EL. -1.40



PLAN EL. 0.00



ROOF PLAN

WATER TANK FOUNDATION

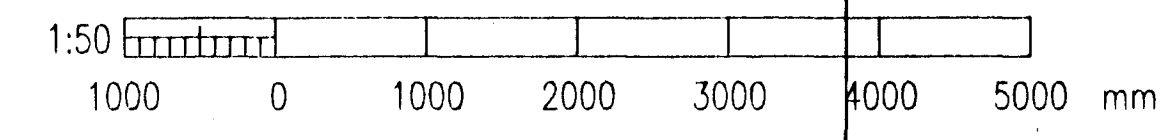
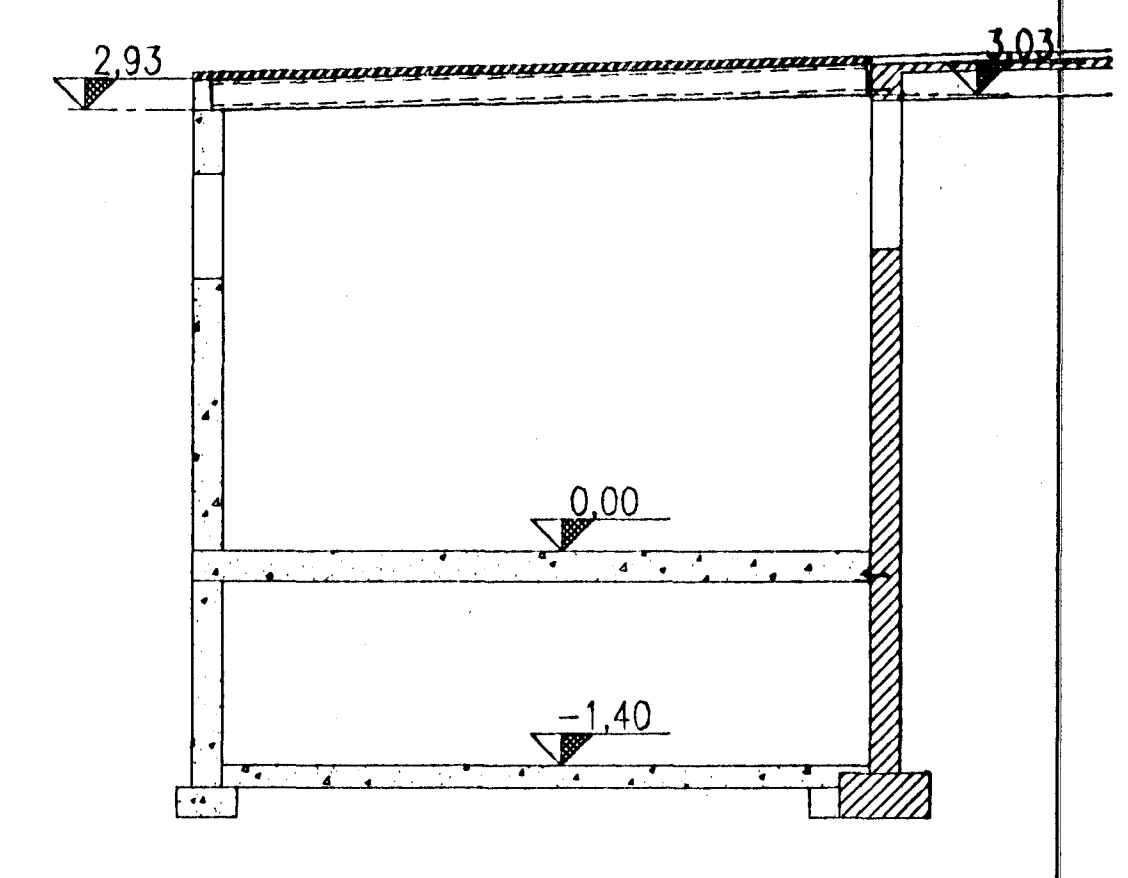
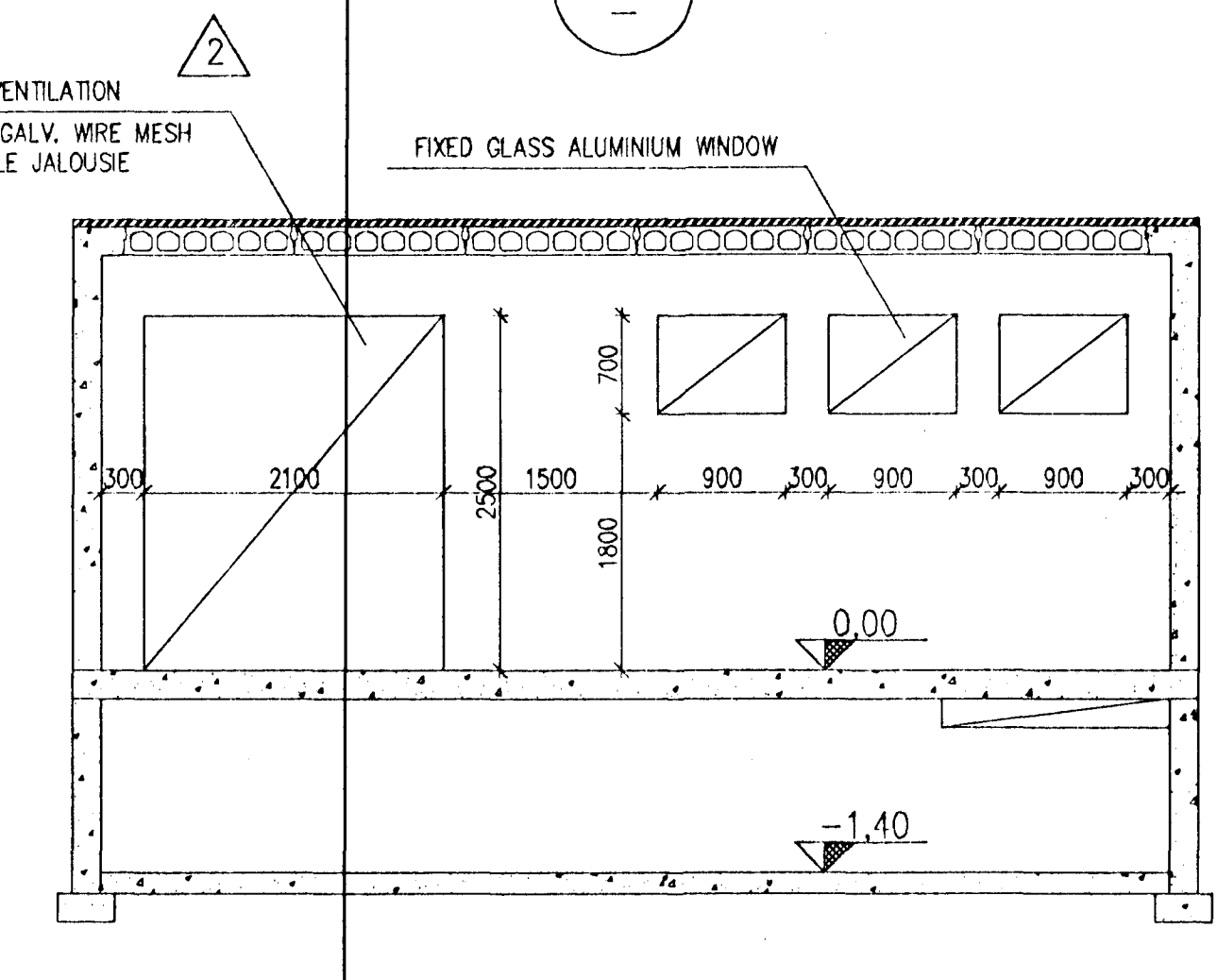
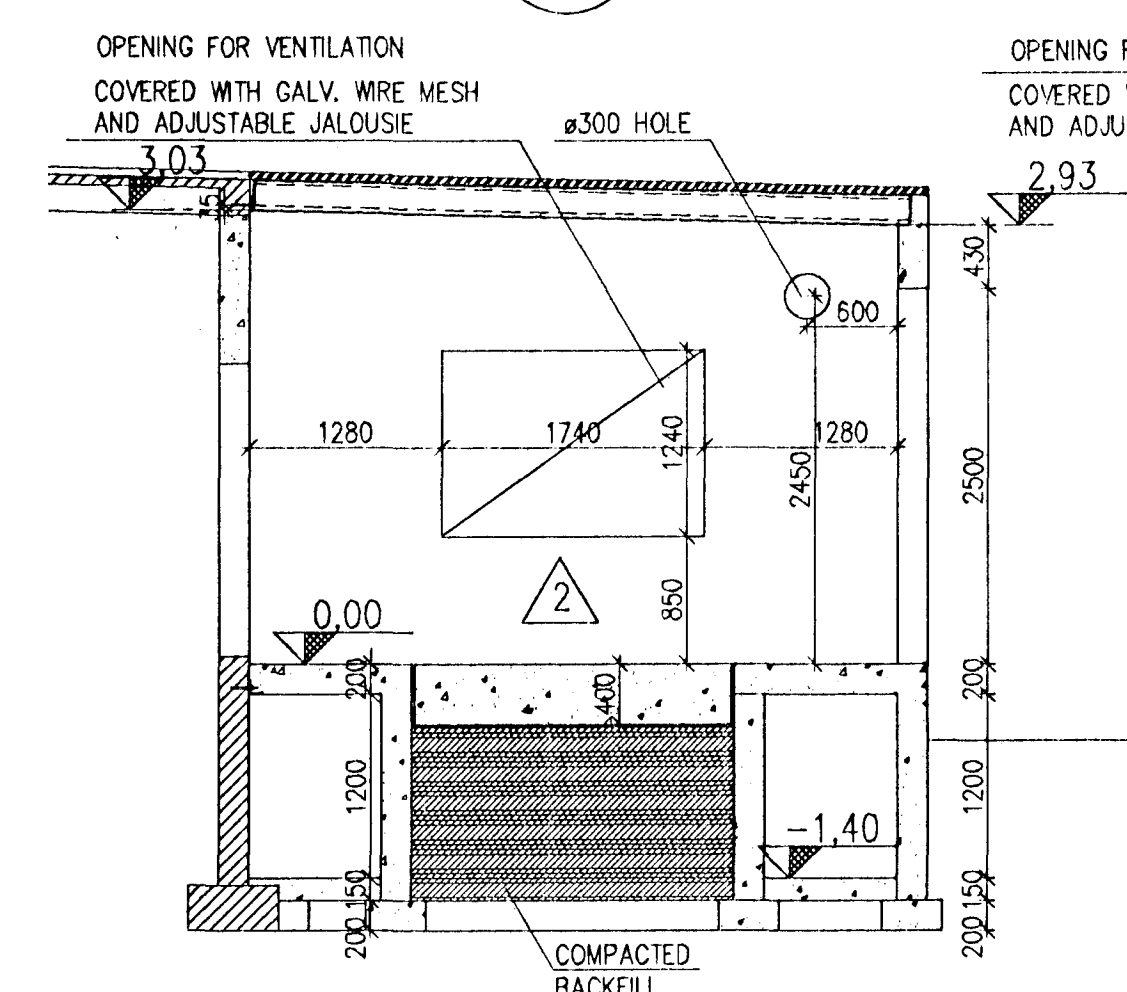
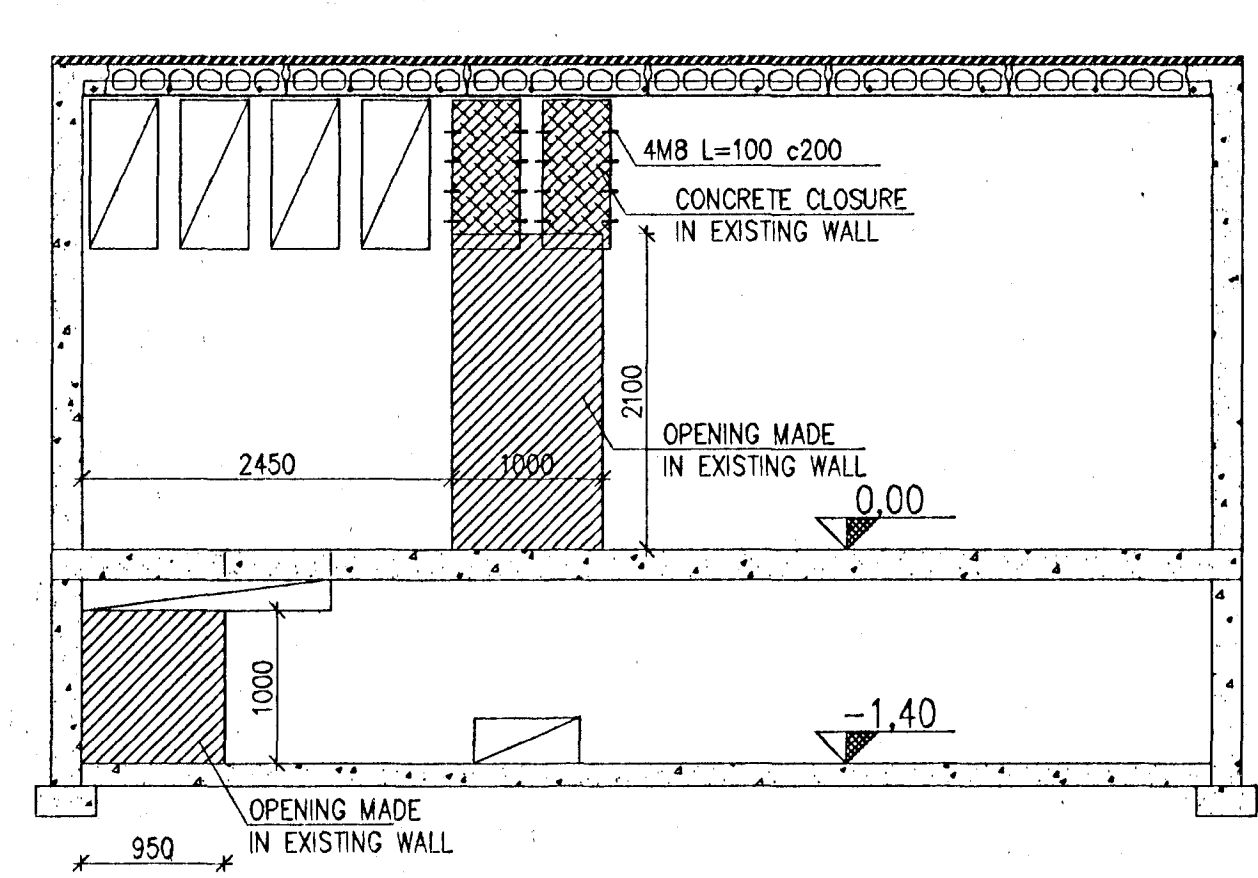
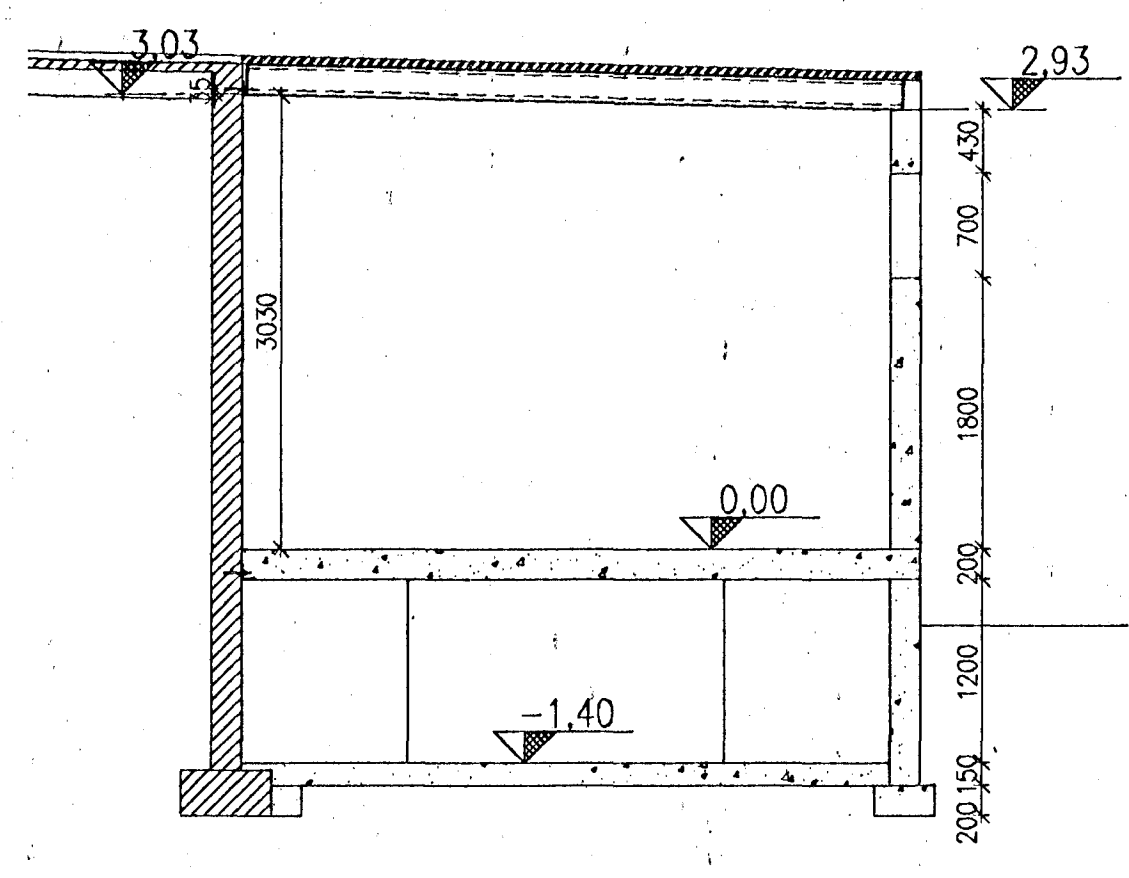
S1

S2

S3

S4

S5



DATE: 9-12-97
 DRAWN BY: CJP

REV. NO.	DATE	REVISION	BY	APP.	REV. NO.	DATE	REVISION	BY	APP.	NOTES	REFERENCE DRAWING	DRAWING NUMBER
2	1/4 '97	GENERATOR FOUNDATION AND SIZE OF VENT. OPENINGS	KS	K.S.								
1	3/3 '97	APPROVED FOR CONSTRUCTION	KS	K.S.								

VST CONSULTING ENGINEERS LTD. Armula 4 108 Reykjavik Iceland Tel: +354 569 5000 Fax: +354 569 5010	DRAWN DEC 1996 KS APPROVED DEC 1996 KS PROJECT DEC 1996 IN SCALE 1:50	95.120 - 36.103 WATER SUPPLY SYSTEM CONCRETE STRUCTURE SUBSTATION 66 - EXTENSION DIMENSIONS, PLANS AND SECTIONS
	ALUSUISSE ENGINEERING LTD. ZURICH SWITZERLAND	79000-32903
ICELANDIC ALUMINIUM CO. LTD	192.103	