

**LEIKSKÓLI MOSAHLÍÐ**  
**OFNATAFLA**

| Ofn nr. | Varmabörf kcal / klst. | Mesta hæð cm | Mesta lengd cm | Valinn ofn t.d. O.S. RUNT-YL | Varmagjöf kcal / klst. | Stútar Staðsetning | Ofnlokar Danfoss | Laus hitanemi |
|---------|------------------------|--------------|----------------|------------------------------|------------------------|--------------------|------------------|---------------|
| 1       | 665                    | 70           | 120            | V 63 / 1000                  | 415                    | A - B              | FJVR             |               |
| 2       | 725                    | 65           | 130            | V 63 / 2 / 1100              | 715                    | A - D              | RA 2000          |               |
| 3       | 815                    | 65           | 130            | V 63 / 2 / 1300              | 845                    | C - D              | RA 2000          |               |
| 4A      | 1.750                  | 21           | 200            | C 21 / 2 / 2000              | 1770                   | A - B              | RA 2000          |               |
| 4 B     | 575                    | 21           | 70             | C 21 / 2 / 700               | 620                    | A - B              | RA 2000          |               |
| 7       | 1.520                  | 70           | 170            | VKL + V 70 / 170             | 1510                   | A - B              | RA 2000          |               |
| 8       | 665                    | 70           | 120            | V 63 / 1100                  | 465                    | A - B              | FJVR             |               |
| 9       | 705                    | 70           | 120            | V 63 / 2 / 1100              | 715                    | A - B              | RA 2000          |               |
| 10      | 255                    | 70           | 70             | V 70 / 600                   | 274                    | C - D              | RA 2000          |               |
| 11      | 1.150                  | 21           | 140            | VK + C 21 / 1400             | 1008                   | A - B              | RA 2000          | X             |
| 12      | 445                    | 70           | 140            | V 63 / 1400                  | 581                    | C - D              | RA 2000          |               |
| 13      | 2.195                  | 21           | 330            | VK + C 21 / 3100             | 2232                   | C - D              | RA 2000          |               |
| 14      | 1.650                  | 21           | 160            | C 21 / 2 / 1600              | 1416                   | A - B              | RA 2000          |               |
| 15 A    | 790                    | 21           | 110            | VK + C 21 / 1100             | 792                    | C - D              | RA 2000          |               |
| 15 B    | 790                    | 21           | 110            | VK + C 21 / 1100             | 792                    | C - D              | RA 2000          |               |
| 16      | 1.650                  | 21           | 160            | C 21 / 2 / 1600              | 1416                   | C - D              | RA 2000          |               |
| 17      | 2.125                  | 21           | 330            | VK + C 21 / 3100             | 2232                   | A - B              | RA 2000          |               |
| 18      | 1.105                  | 21           | 140            | VK + C 21 / 1400             | 1008                   | C - D              | RA 2000          | X             |
| 19      | 255                    | 70           | 70             | V 70 / 600                   | 274                    | A - B              | RA 2000          |               |
| 20      | 705                    | 90           | 80             | VKL + V 77 / 700             | 669                    | C - D              | RA 2000          |               |
| 21      | 445                    | 70           | 140            | V 63 / 1400                  | 581                    | A - B              | RA 2000          |               |
| 22      | 950                    |              |                | GÖLFHITI                     | 1020                   |                    |                  |               |
| 23      | 1.245                  | 70           | 160            | VKM 63 / 2 / 1600            | 1888                   | C - D              | FJVR             |               |
|         |                        |              |                | RÖRAOFN                      |                        |                    | FJVR             |               |
| 24      | 810                    | 65           | 140            | V 63 / 2 / 1300              | 845                    | A - D              | RA 2000          |               |
| 25      | 155                    | 70           | 50             | V 49 / 500                   | 168                    | A - B              | RA 2000          |               |
| 26 A    | 2.400                  | 21           | 4100           | VK 21 / 2 / 4100             | 2378                   | A - B              | RA 2000          |               |
| 26 B    | 1.505                  | 21           | 2500           | VK 21 / 2 / 2500             | 1450                   | A - B              | RA 2000          |               |
| 28      | 195                    | 21           | 50             | VK 21 / 500                  | 154                    | A - B              | FJVR             |               |
| 29      | 570                    | 70           | 140            | V 63 / 2 / 900               | 585                    | C - D              | RA 2000          |               |
| 30      | 165                    | 70           | 60             | V 56 / 500                   | 187                    | A - B              | FJVR             |               |
| 31      | 360                    | 70           | 60             | V 70 / 2 / 500               | 358                    | C - D              | RA 2000          |               |
| 32      | 1.245                  | 70           | 140            | VKM 63 / 2 / 1600            | 1888                   | C - D              | FJVR             |               |
|         |                        |              |                | RÖRAOFN                      |                        |                    | FJVR             |               |
| 33      | 950                    |              |                | GÖLFHITI                     | 1020                   |                    |                  |               |
| 34      | 705                    | 70           | 120            | VKL + V 77 / 700             | 669                    | A - B              | RA 2000          |               |
| 35      | 255                    | 70           | 70             | V 70 / 600                   | 274                    | C - D              | RA 2000          |               |
| 36      | 1.105                  | 21           | 140            | VK + C 21 / 1400             | 1008                   | A - B              | RA 2000          | X             |
| 37      | 2.130                  | 21           | 330            | VK + C 21 / 3100             | 2232                   | C - D              | RA 2000          |               |
| 38      | 445                    | 70           | 100            | V 63 / 1400                  | 581                    | C - D              | RA 2000          |               |
| 39      | 1.650                  | 21           | 160            | C 21 / 2 / 1600              | 1416                   | A - B              | RA 2000          |               |
| 40 A    | 792                    | 21           | 110            | VK + C 21 / 1100             | 792                    | A - B              | RA 2000          |               |
| 40 B    | 792                    | 21           | 110            | VK + C 21 / 1100             | 792                    | A - B              | RA 2000          |               |
| 41      | 1.650                  | 21           | 160            | C 21 / 2 / 1600              | 1416                   | C - D              | RA 2000          |               |
| 42      | 2.195                  | 21           | 330            | VK + C 21 / 3100             | 2232                   | A - B              | RA 2000          |               |
| 43      | 1.150                  | 21           | 140            | VK + C 21 / 1400             | 1008                   | C - D              | RA 2000          | X             |
| 44      | 255                    | 70           | 70             | V 70 / 600                   | 274                    | A - B              | RA 2000          |               |
| 45      | 445                    | 70           | 140            | V 63 / 1400                  | 581                    | A - B              | RA 2000          |               |
| 46      | 560                    | 70           | 140            | V 63 / 1300                  | 540                    | C - D              | RA 2000          |               |

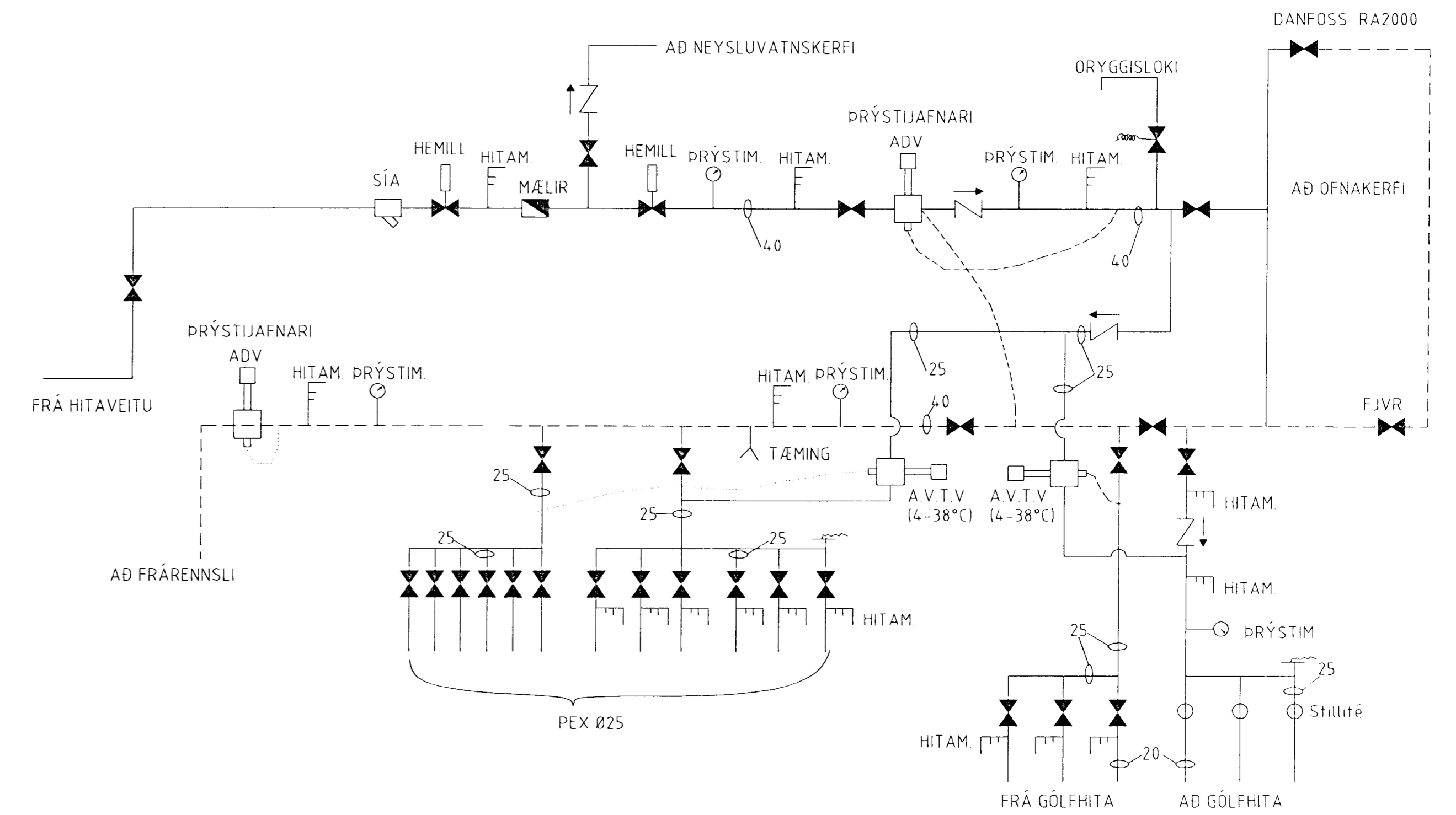
Samtals 45.659

46.086

45 ofnar samtals 44.046 kcal / klst  
Röraofnar 2 stk

ATH! VERÐI VALDIR AÐRIR OFNAR EN ERU Í OFNATÖFLU SKAL LEITA SAMÞYKKIS ARKITEKTS.

TENGIMYND HITAVEITU



- Rennilokar / Kúluoka
- Einstreymilokar
- Lofttæming

16 JUNÍ 1997

Strendingur ehf.  
 Verkfræðibúnaðisátt  
 Reykjavíkurvegur 68 - 220 Hafnarfjörður  
 Sími: 5655640 - Fax: 5655641

Leikskóli við Úthlíð  
 Tengimynd hitaveitu - ofnatafla

| Breytingar | Nafn |
|------------|------|
|            |      |
|            |      |
|            |      |
|            |      |

Hanna: AS  
 Tekið: SG  
 Höfundur: *Hemmi Þ. Jónsson*

Dags: apríl, 1997  
 Teikningúmer: BH01-208  
 Mælikvarði: 1:50  
 A1