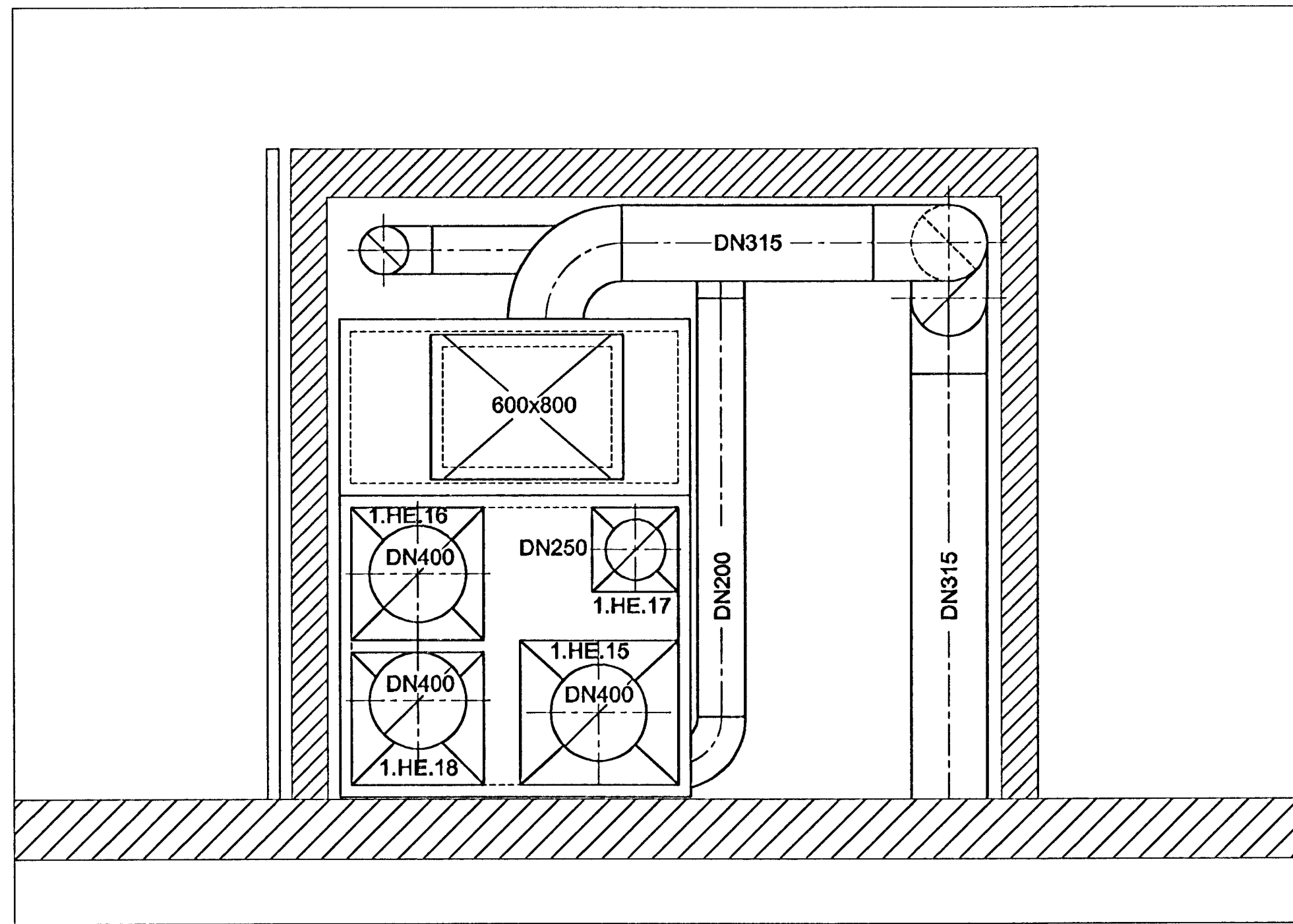
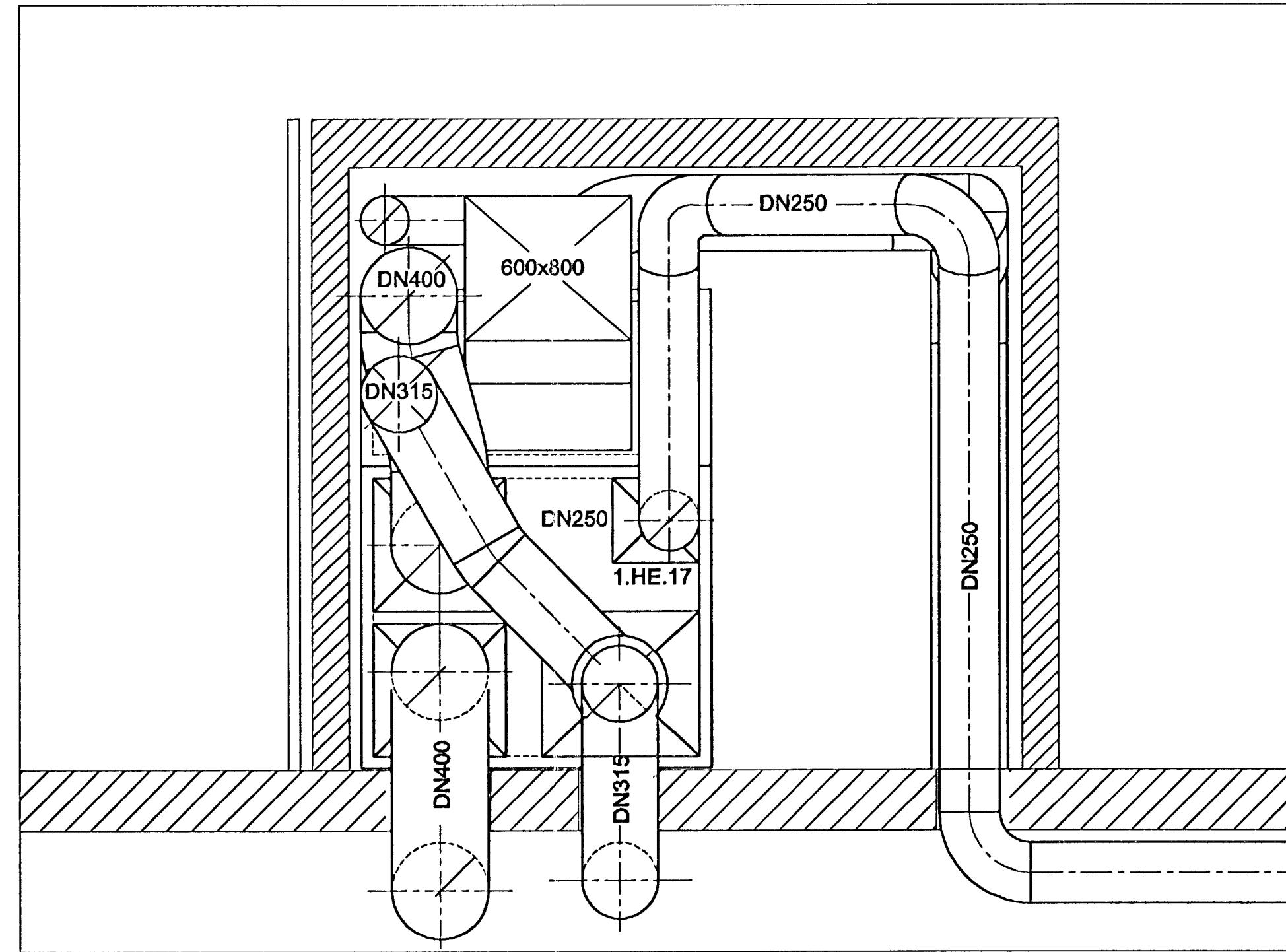


**D**  
9K-82  
168822  
1:20



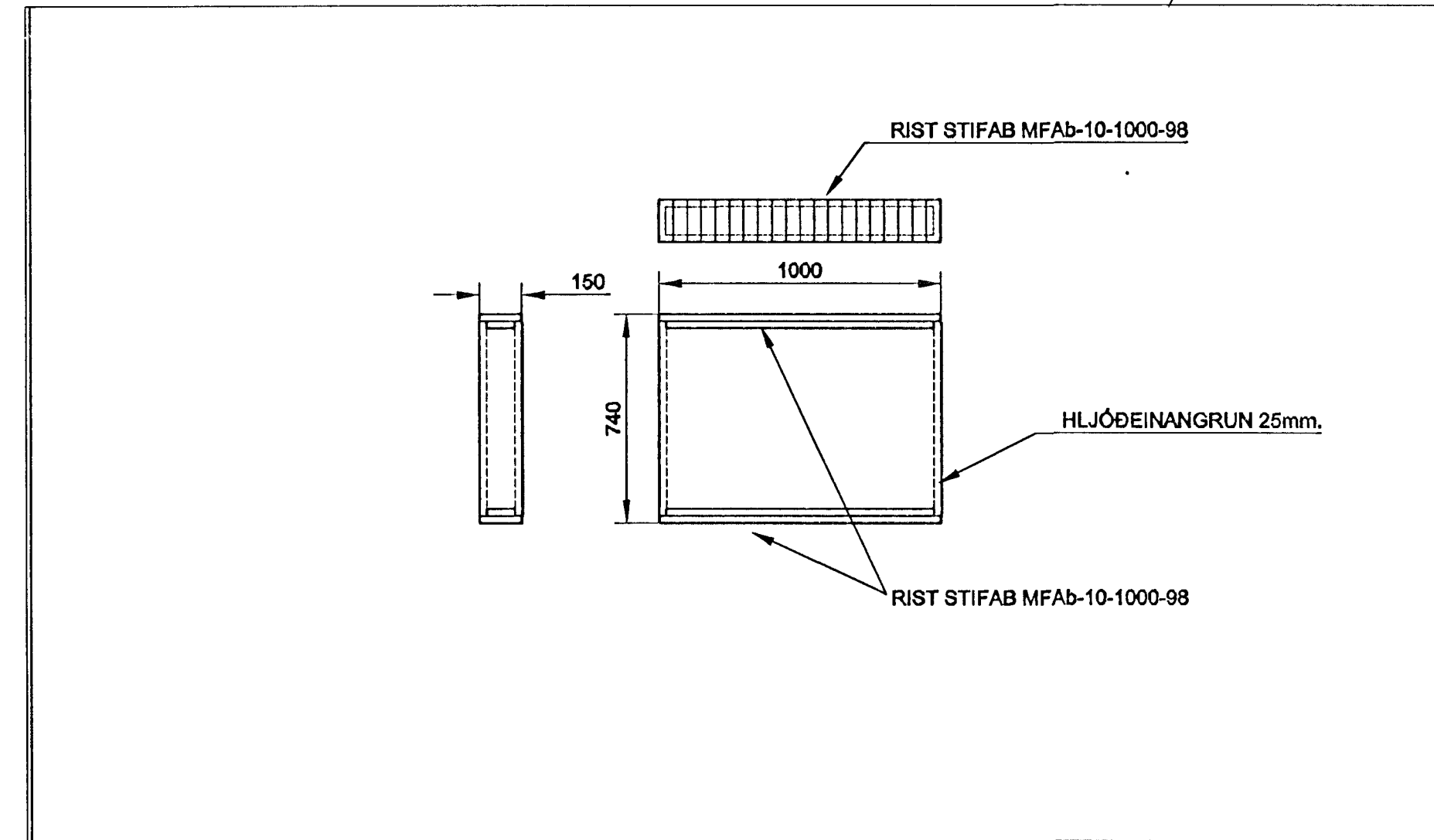
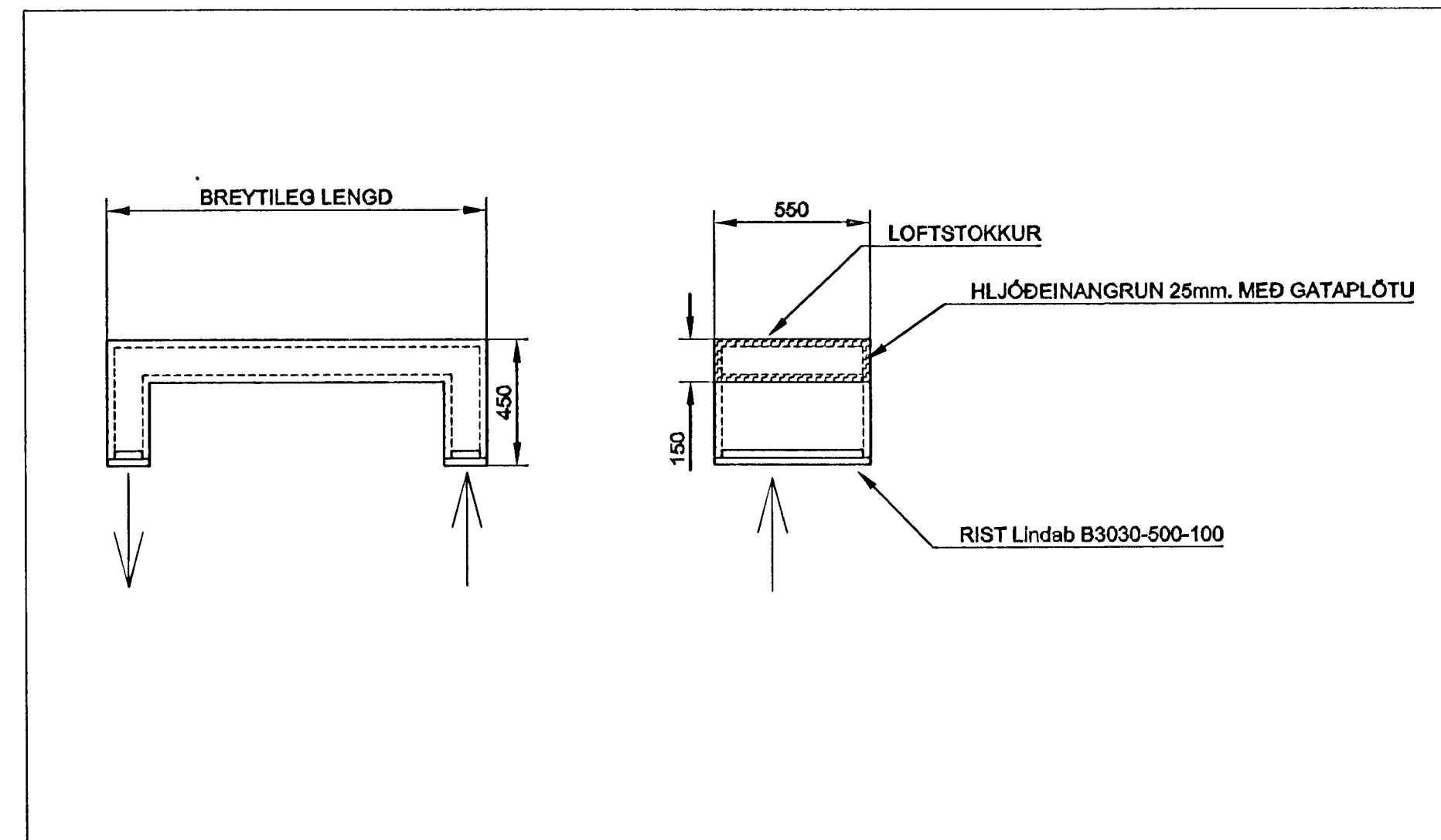
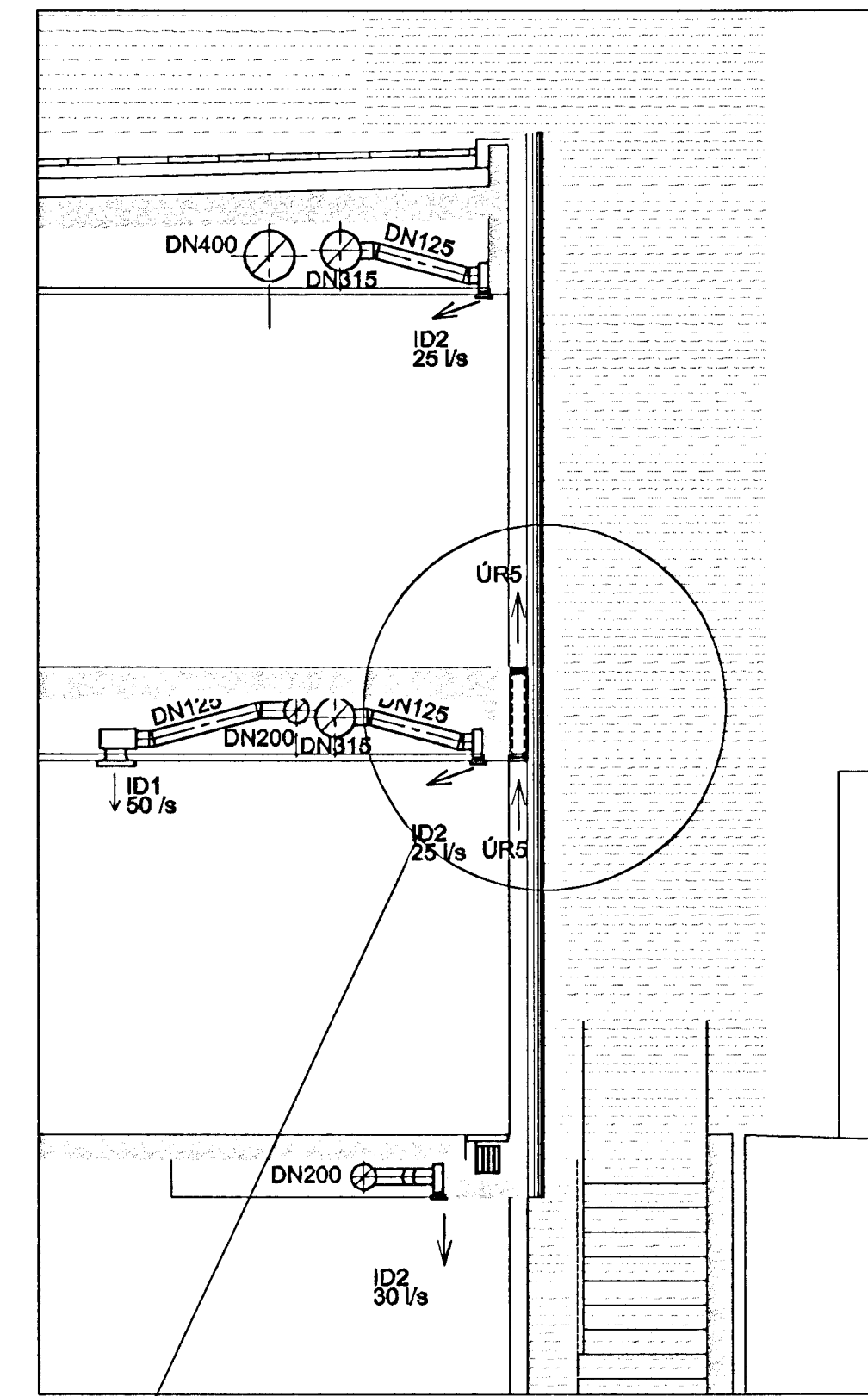
**DÆMIGERÐUR YFIRSTRÁUMSSTOKKUR**  
1:20

**E**  
9K-82  
168822  
1:20



**DÆMIGERT HLJÓÐDEYFIBOX MILLI HÆÐA**  
1:20

**F**  
9K-82  
168822  
9K-83  
168823  
9K-84  
168824  
1:50



Samþykkt þann  
22. OKT. 2003  
Byggingafulltrúinn í Hafnarfirði  
Fl. Sigurbjartur Halldórsson

Ragnur Þorhildisson  
Kl. 170347-7499

Skýringar:  
Explanations:

This drawing is the property of the Alcan Iceland Ltd. and handed out for personal use only. It may neither be copied nor made available to others without permission of the Alcan Iceland Ltd. The receiver is liable for any misuse.



Breyt. Rev.	Breyting Revision	Dag. Date	Samb. Approved	Notk. heim. Released

Fjöldi stúkkja Number of pieces	Hlutur Object	Akrið Item	Efni Material	æð. stik Weight (kg)	Stærð Size	Althugosemdir Remarks
IV III II I	SKRIFSTOFUHÓŠ					
	SNIÐ D-D, E-E, F-F					
	LOFTRÆSTING					
	VGK CONSULTING ENGINEERS LTD.					
	ALCAN PRIMARY METAL EUROPE					
	ISAL					
	IS-222 Hafnarfjörður					