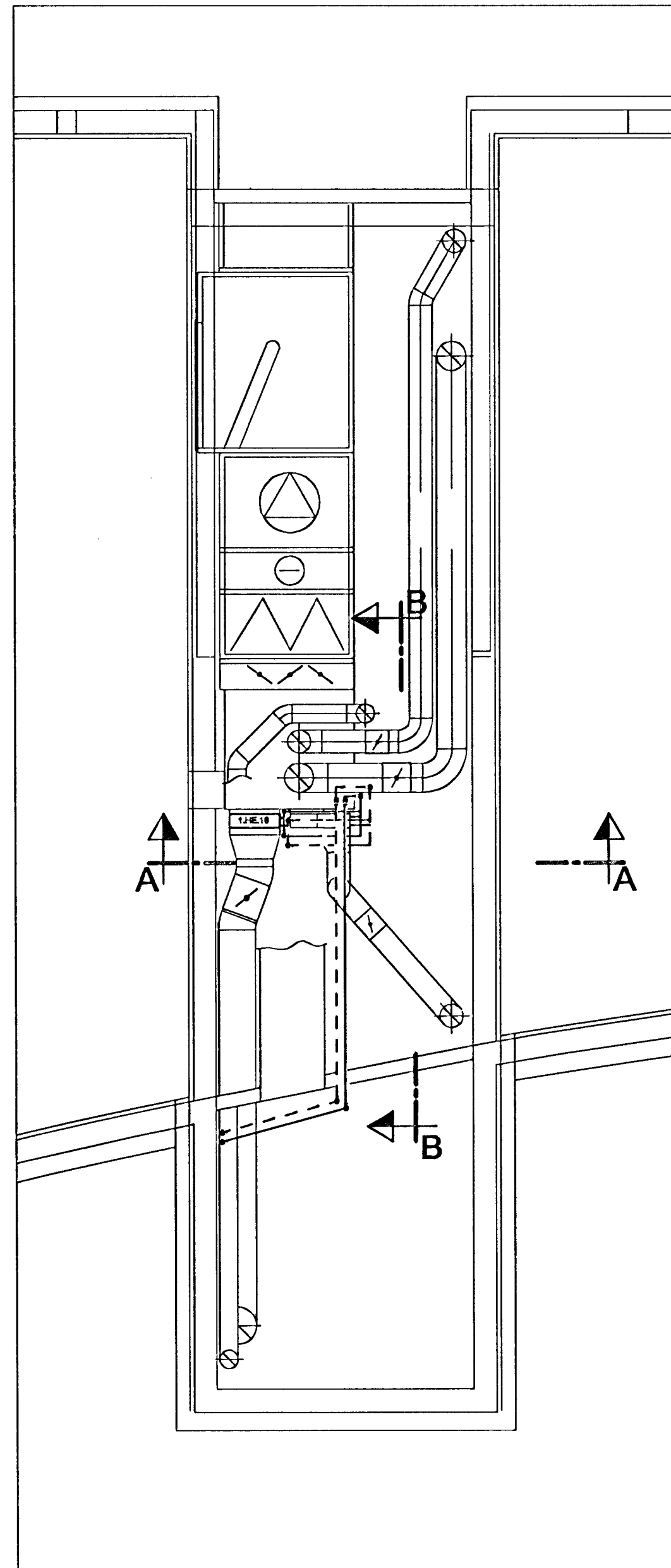


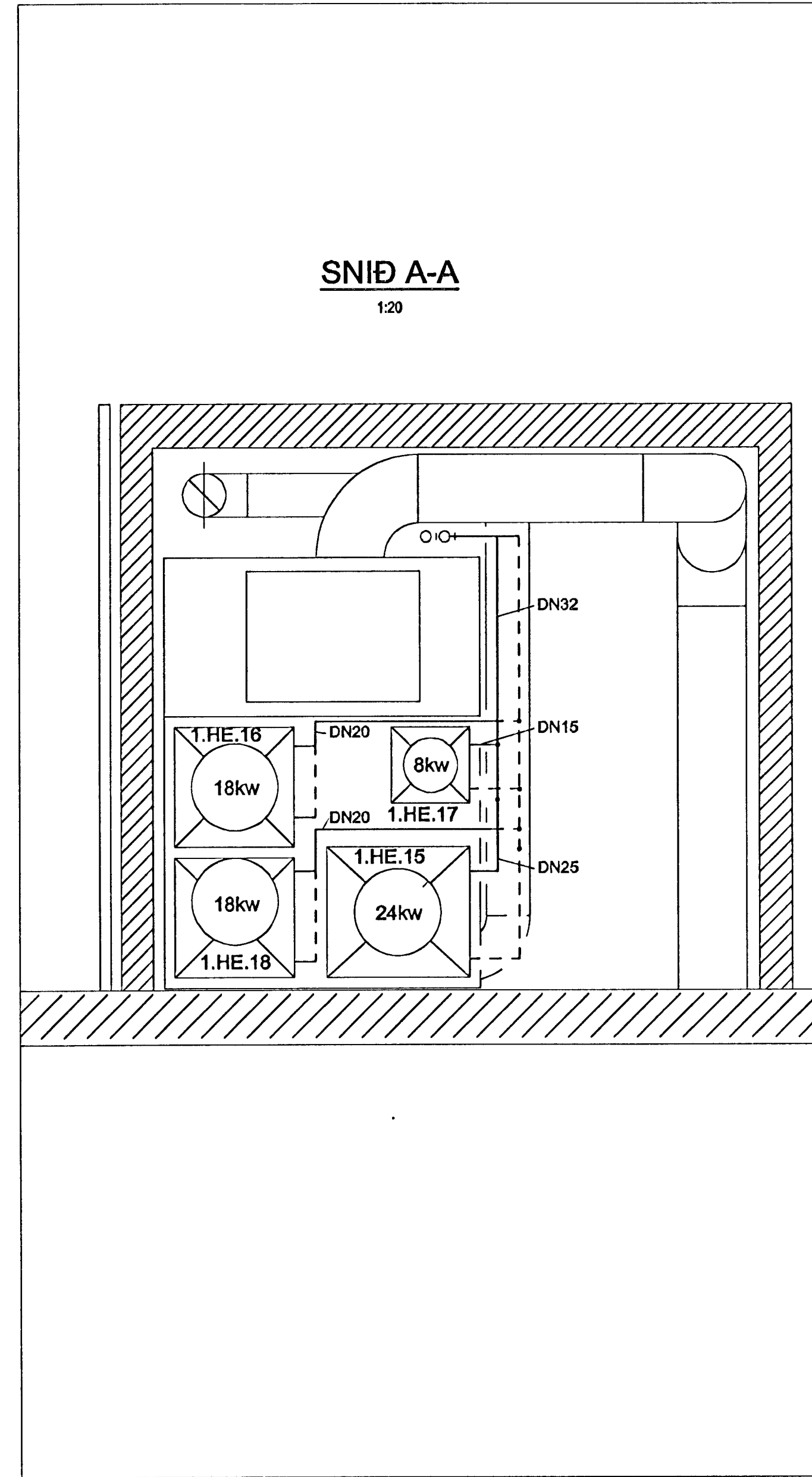
GRUNNMYND 3.HÆÐAR - HITALAGNIR

1:50



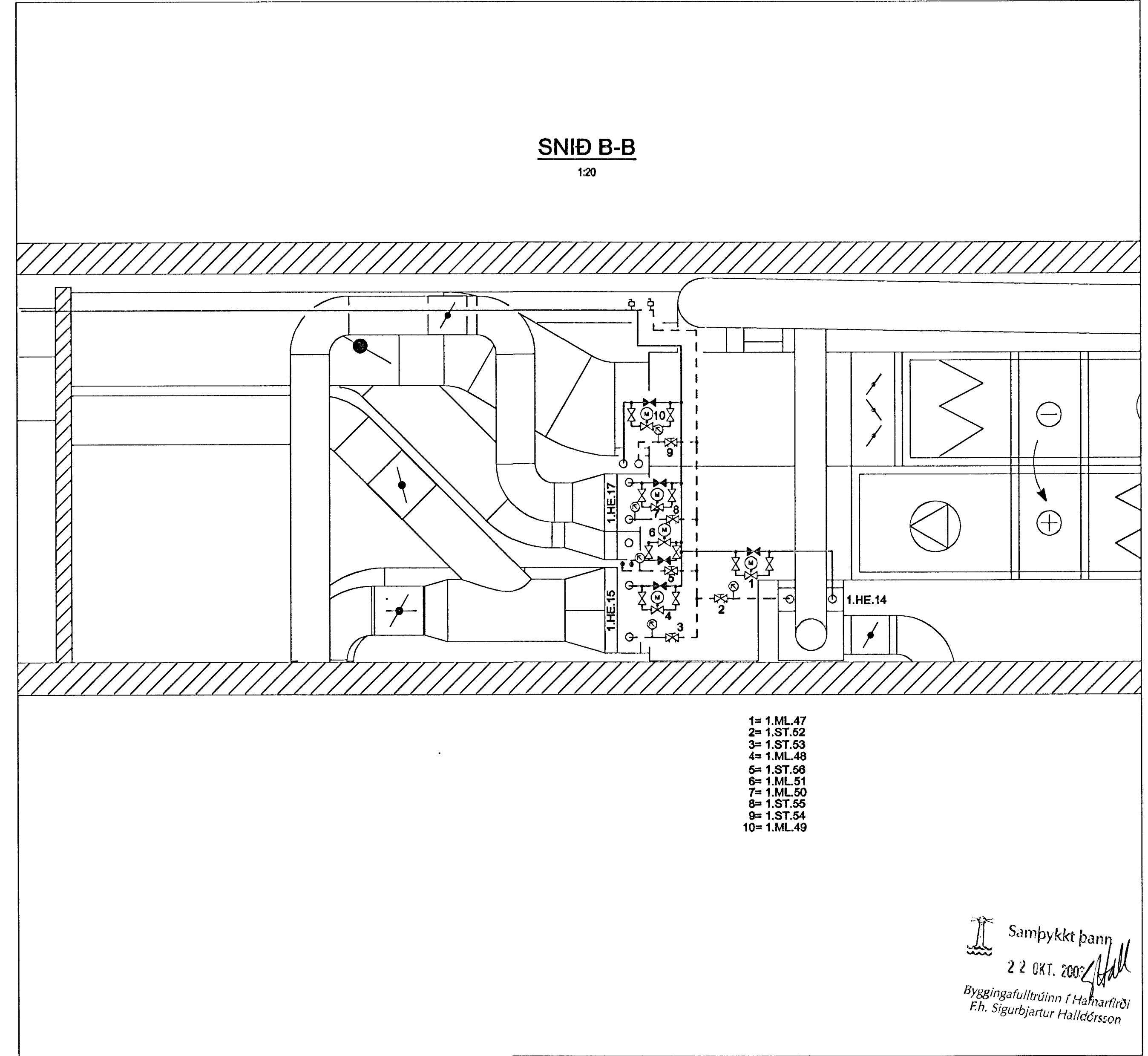
SNIÐ A-A

1:20



SNIÐ B-B

1:20



- 1= 1.ML.47
- 2= 1.ST.52
- 3= 1.ST.53
- 4= 1.ML.48
- 5= 1.ST.56
- 6= 1.ML.51
- 7= 1.ML.50
- 8= 1.ST.55
- 9= 1.ST.54
- 10= 1.ML.49

Sampykkt þann
22 OKT. 2002
Byggingafulltrúinn í Hálfarfirði
Fh. Sigurbjartur Halldórsson

Reynir Halldórsson
Kl. 170347-7499

[Signature]

Skýringar:
Explanations:

This drawing is the property of the Alcan Iceland Ltd. and handed out for personal use only. It may neither be copied nor made available to others without permission of the Alcan Iceland Ltd. The receiver is liable for any misuse.



Breyt. Rev.	Breyting Revision	Dags. Date	Samb. Approved	Notk. hátt. Released	Fjöldi stúka Number of pieces	Hlutur Object	Althugssemiðir Remarks
					IV III II I	SKRIFSTOFUHÓÐ ALCAN GRUNNMYND 3.HÆÐAR HITALAGNIR	Stærð Scale: A1 Kostnaður - útgáfa / Cost - Edn. 4110 01199 AKS númer UN10 VASKA / Supplier VGK CONSULTING ENGINEERS LTD. Tekin Drawn: OS Yfirfarið Checked
						ALCAN PRIMARY METAL EUROPE ISAL Alcan Iceland Ltd	Tekin nr. / Drawn of app. 9K-69 Sambykkt Approved Dra. of ISAL / Tekn. ISAL 168831 Notkun hátt. Released