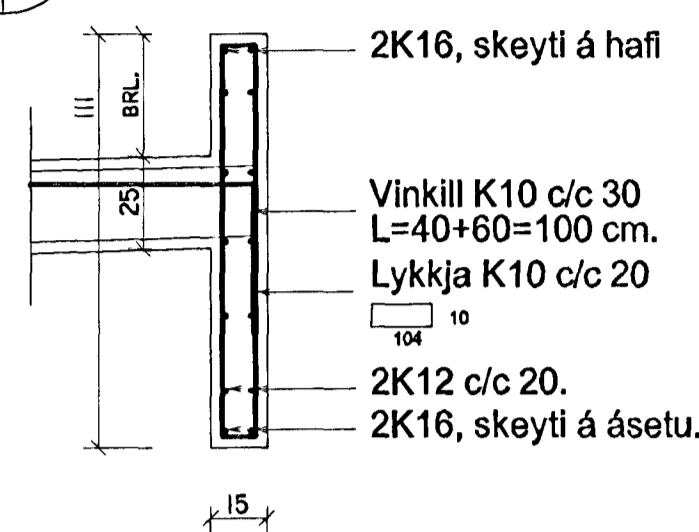
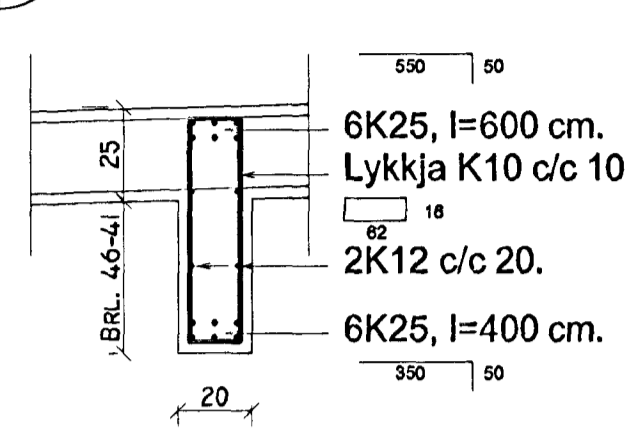


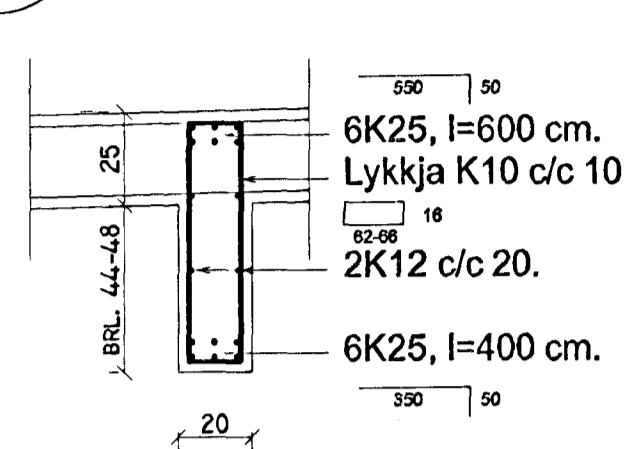
B2.1. BITI B2.1. 1:20.



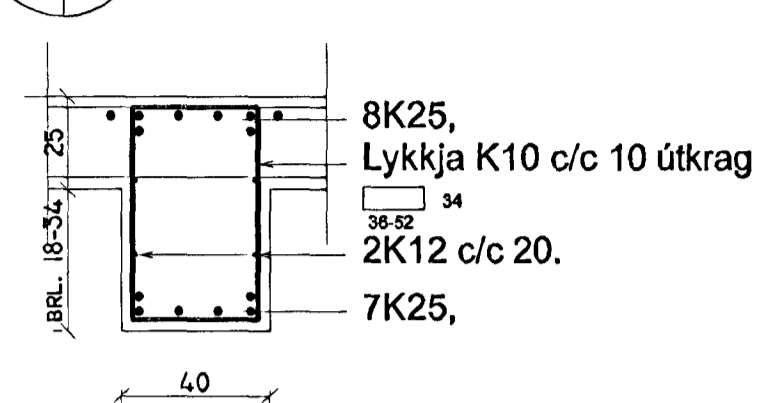
B2.2. BITI B2.2. 1:20.



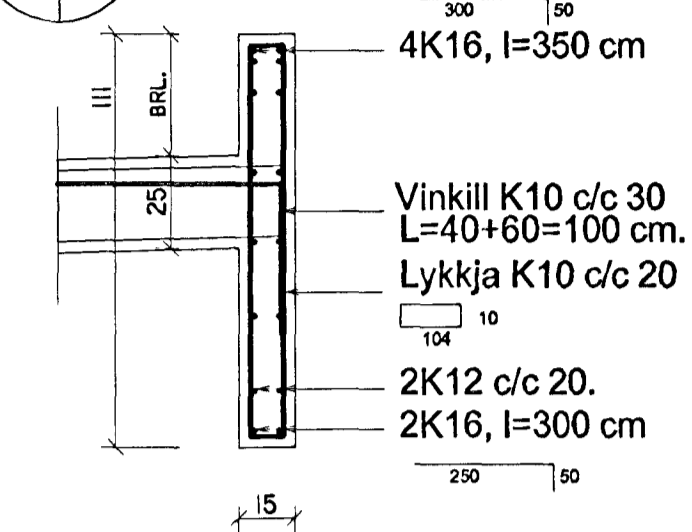
B2.2* BITI B2.2*. 1:20.



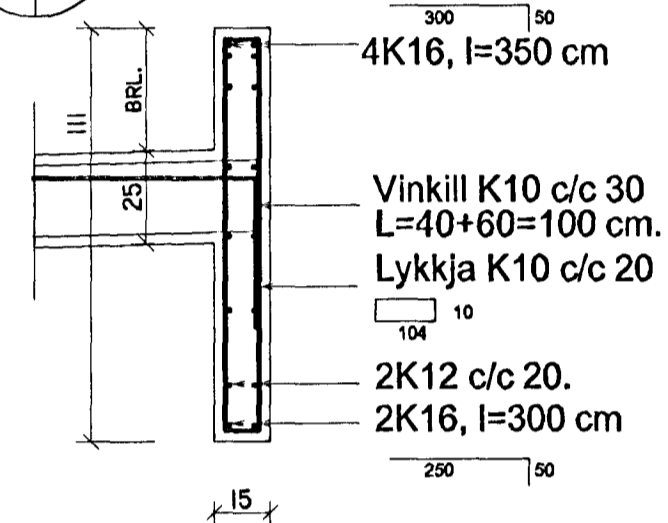
B2.3. BITI B2.3. 1:20.



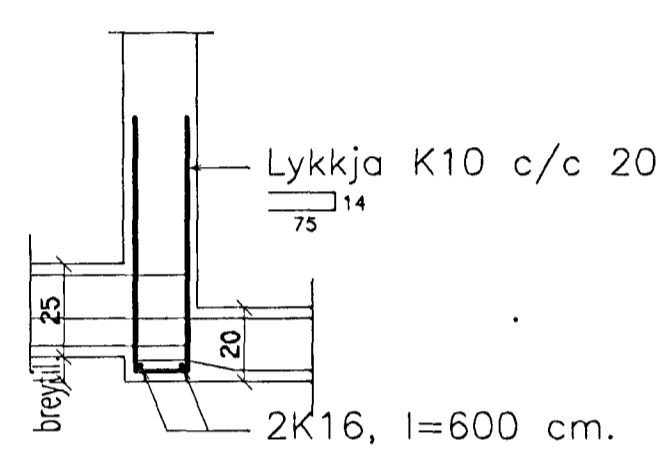
B2.4. BITI B2.4. 1:20.



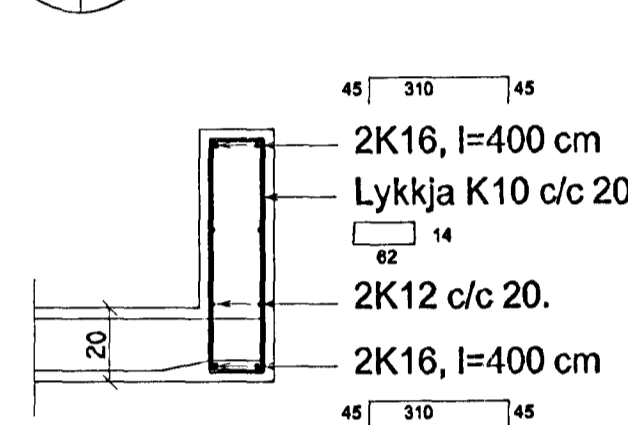
B2.5. BITI B2.5. 1:20.



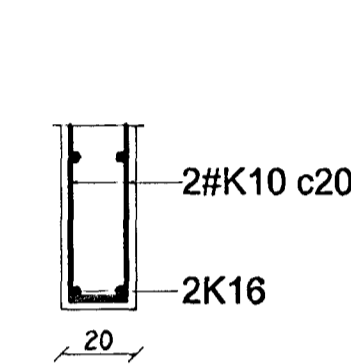
B2.6. BITI B2.6. 1:20.



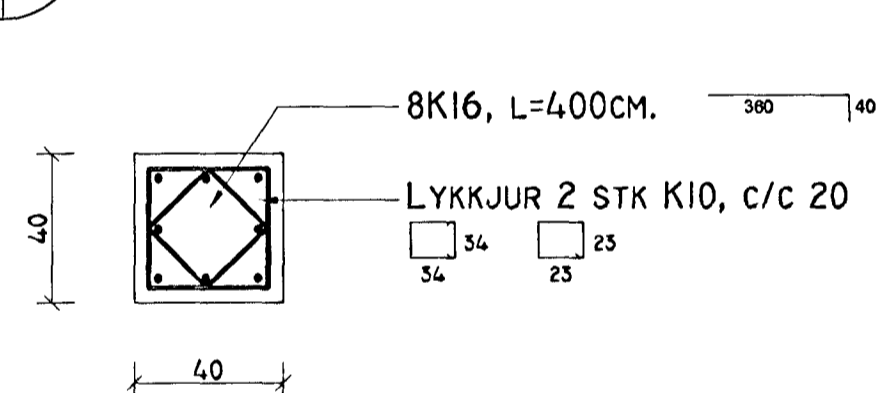
B2.7. BITI B2.7. 1:20.



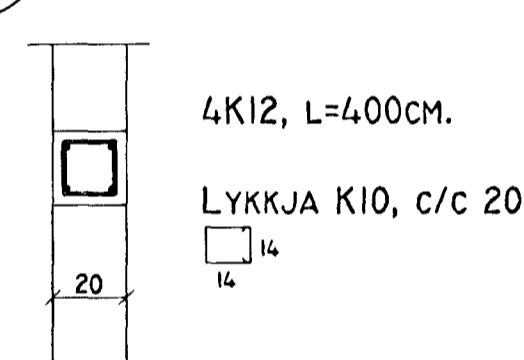
B2.8. BITI B2.8. 1:20.



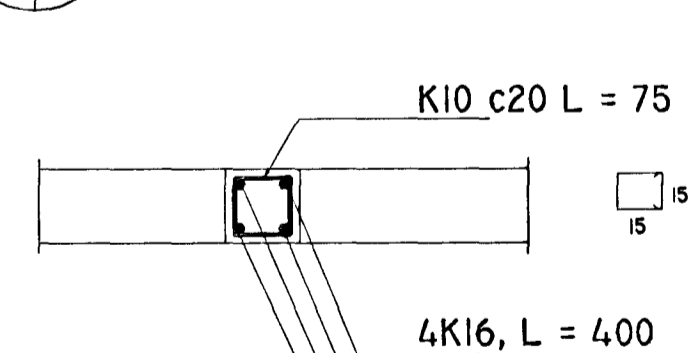
S2.1. SÚLA S2.1. 1:20.



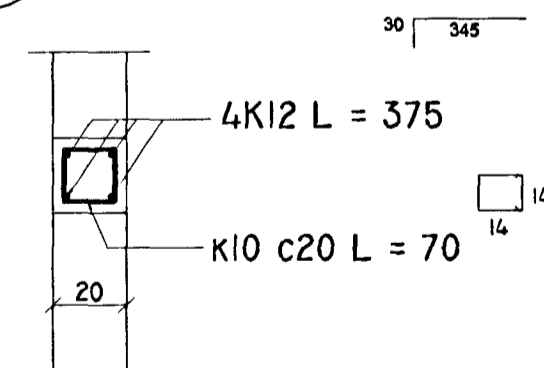
S2.2. SÚLA S2.2. 1:20.



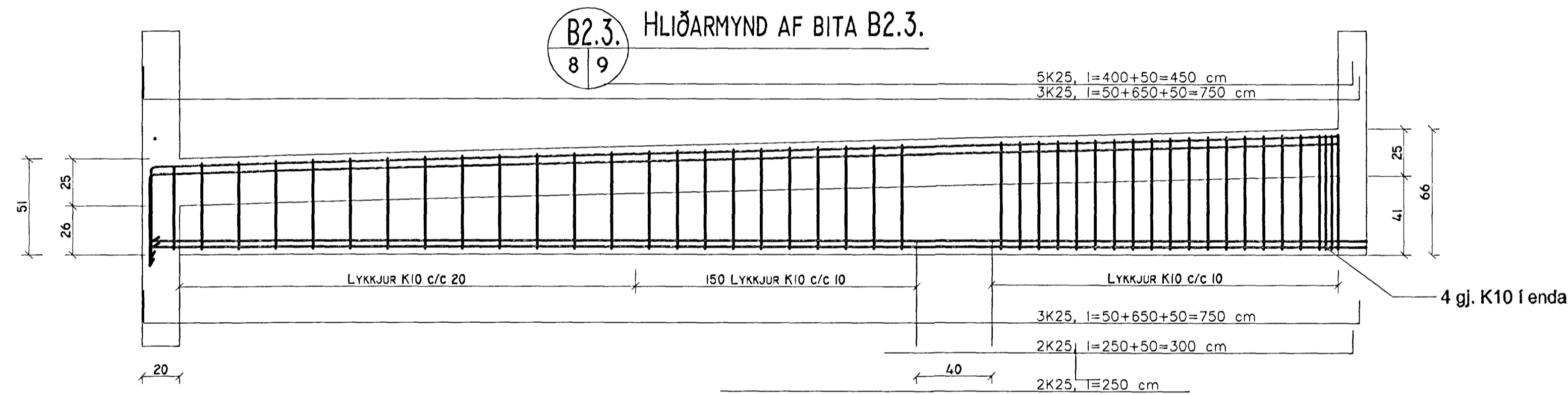
S2.3. SÚLA S2.3. 1:20.



S2.4. SÚLA S2.4. 1:20.



B2.3. HLIÐARMYND AF BITA B2.3.



Sampykkt þann
22. OKT. 2003
Byggingafulltrúinn í Hafnarfirði
Bh Nígurbjartur Halldórsson

1:20

TEIKNISTOFAN
ÖÐINSTORGI

VÍFILL ODDSSON
KT. 101237-3629
ÖÐINGGÖTU 7, REYKJAVÍK
to@to.is

VERKFRÆÐINGUR
FVFÍ - FRV
SÍMI: 510 2200
FAX: 510 2201

Skýringar:
Explanations:

Fjöldi stúka Number of pieces		Hlutur Object	Atvöð Item	Efni Material	Eq. stk. Weight	Total t. hald (kg) Pýggt	Athugasemdir Remarks
IV	III	II	I				1:20
ALCAN Skrifstofuhús. mhl. 94.							4110 01199
Sérmyndir á 2. hæð							UM10
Burðarbolsteikning.							936.1.9.
Teiknistofan Öðinstorgi sf.							1
ALCAN PRIMARY METAL EUROPE							168468
ISAL Straumsvík							1
ALCAN Iceland Ltd							
1. Vinnuteikning.		Daga Date	Samp. Approved	Notk. heimil Released			
Tilv. teikningar nr. ISAL		Samsettn. teikningar nr. ISAL					
Ref. drawing no. of ISAL		Assembly drawing no. of ISAL					
Tilv. teikning		Tilv. teikning					
Drawn		Checked and filed					

This drawing is the property of the Alcan Iceland Ltd. and handed out for personal use only. It may neither be copied nor made available to others without permission of the Alcan Iceland Ltd. The receiver is liable for any misuse.

