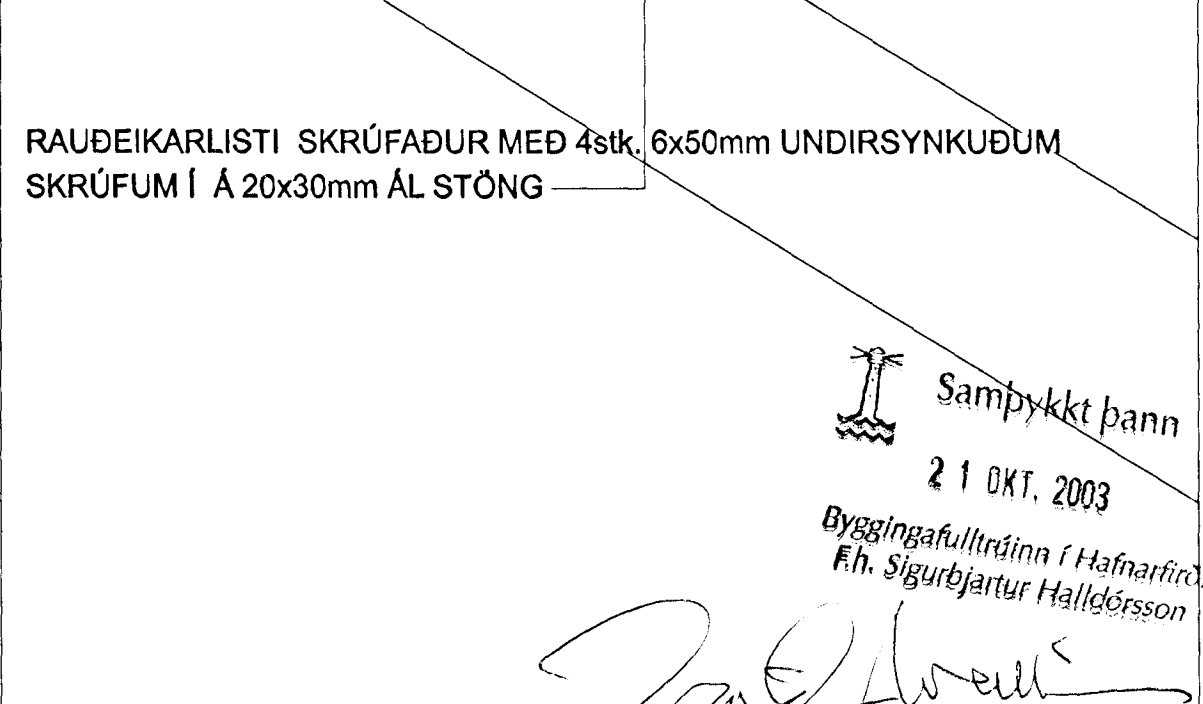
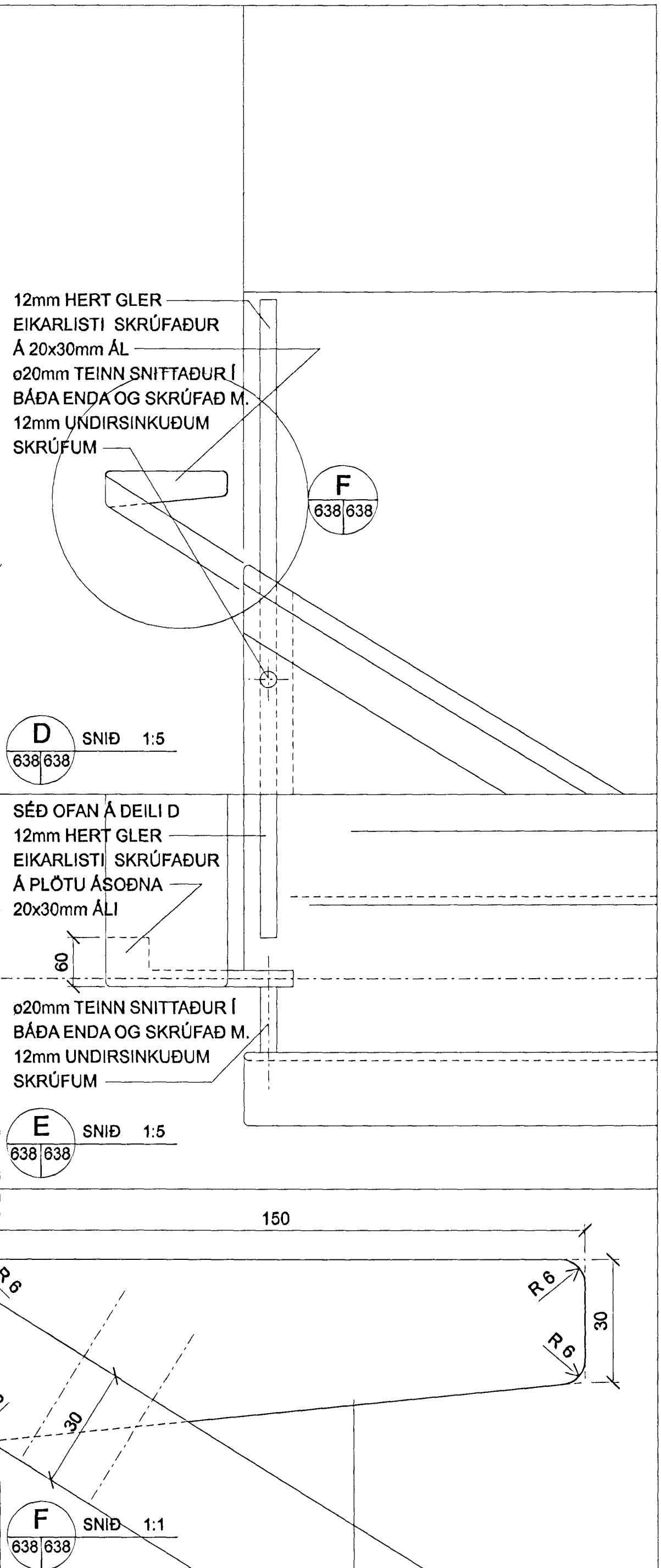
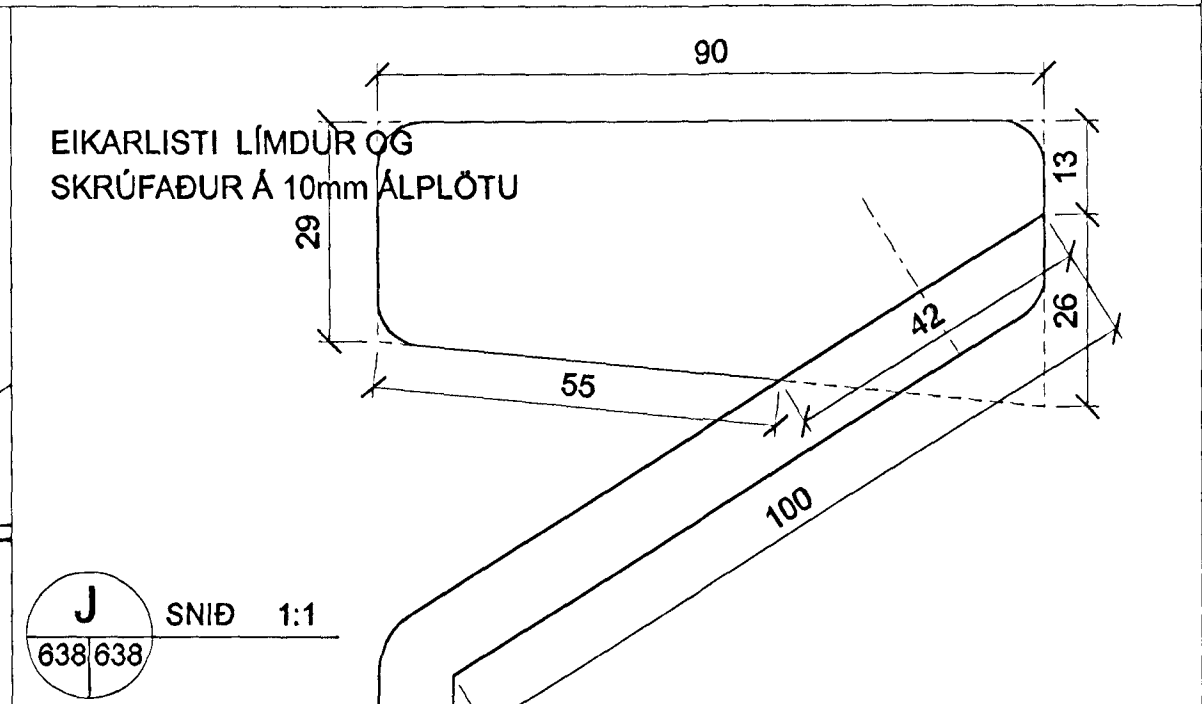
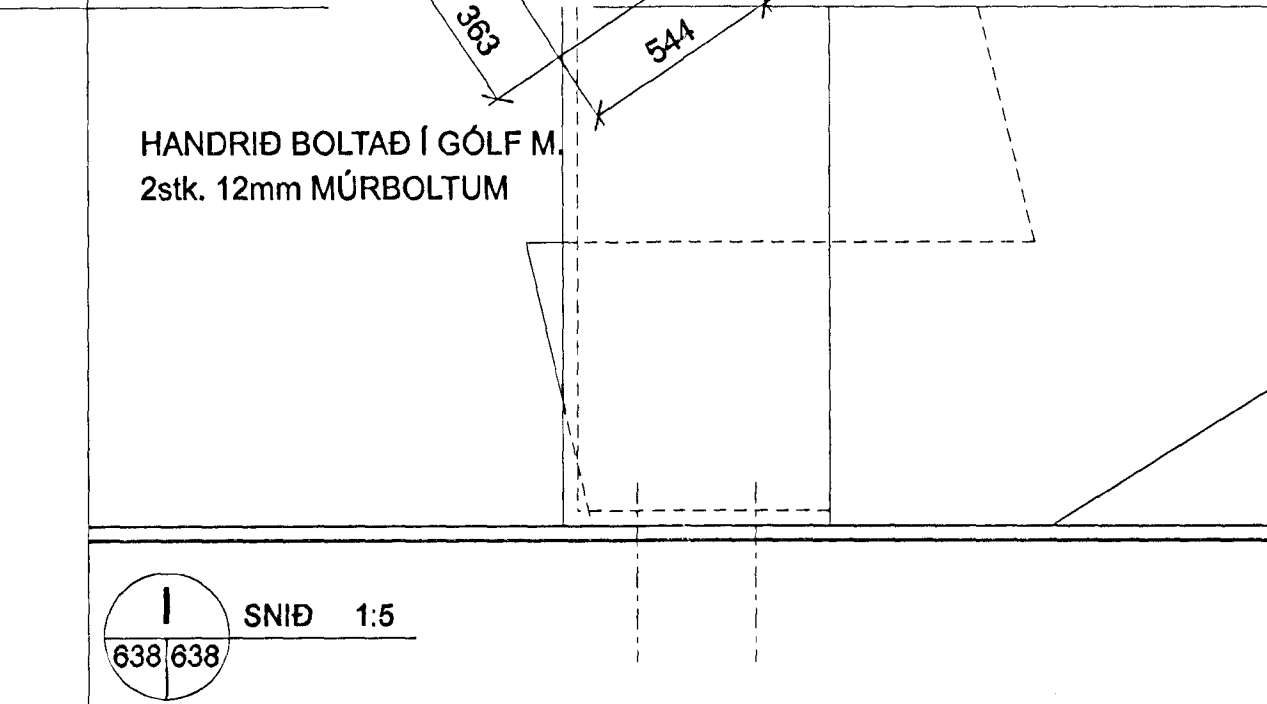
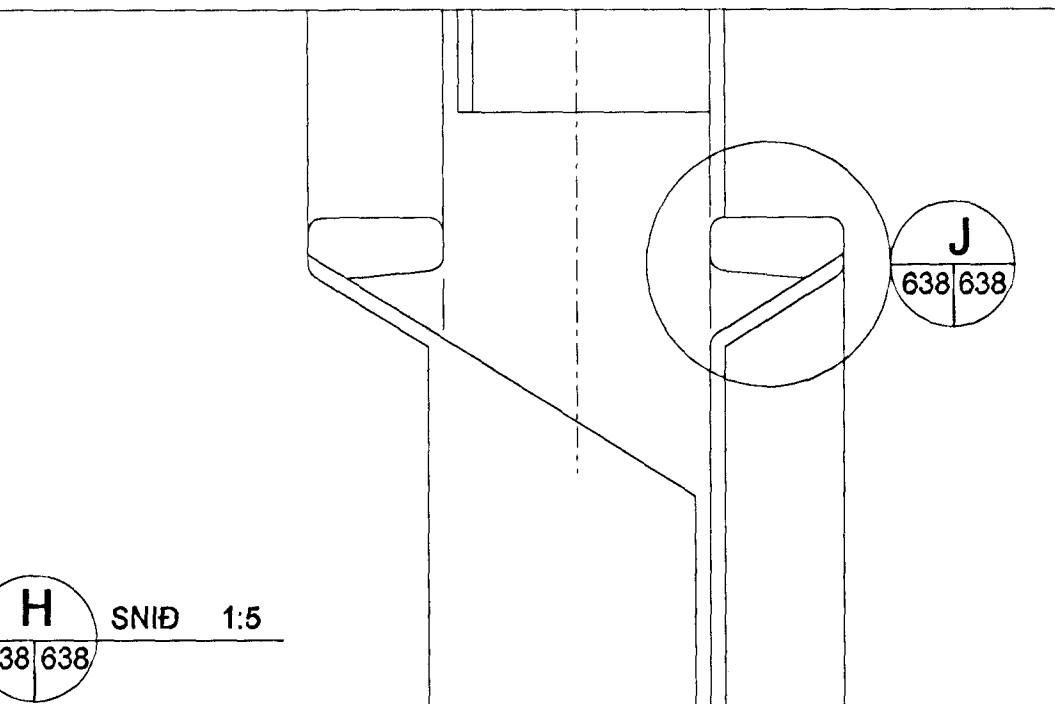
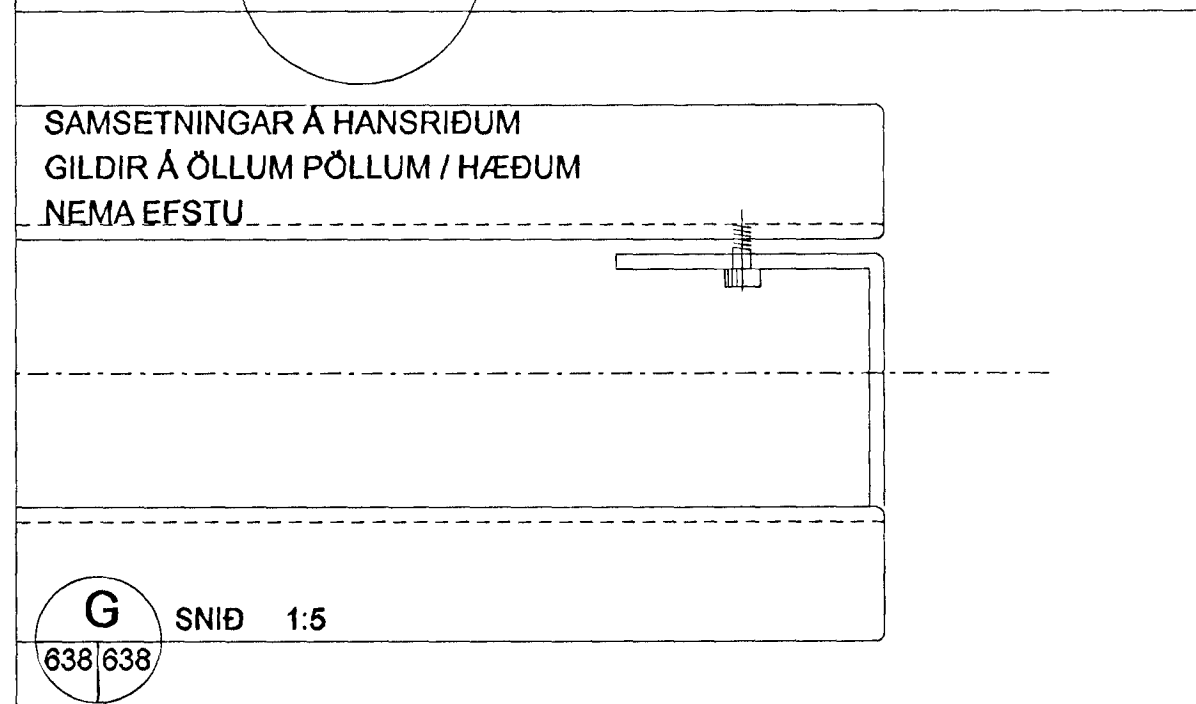
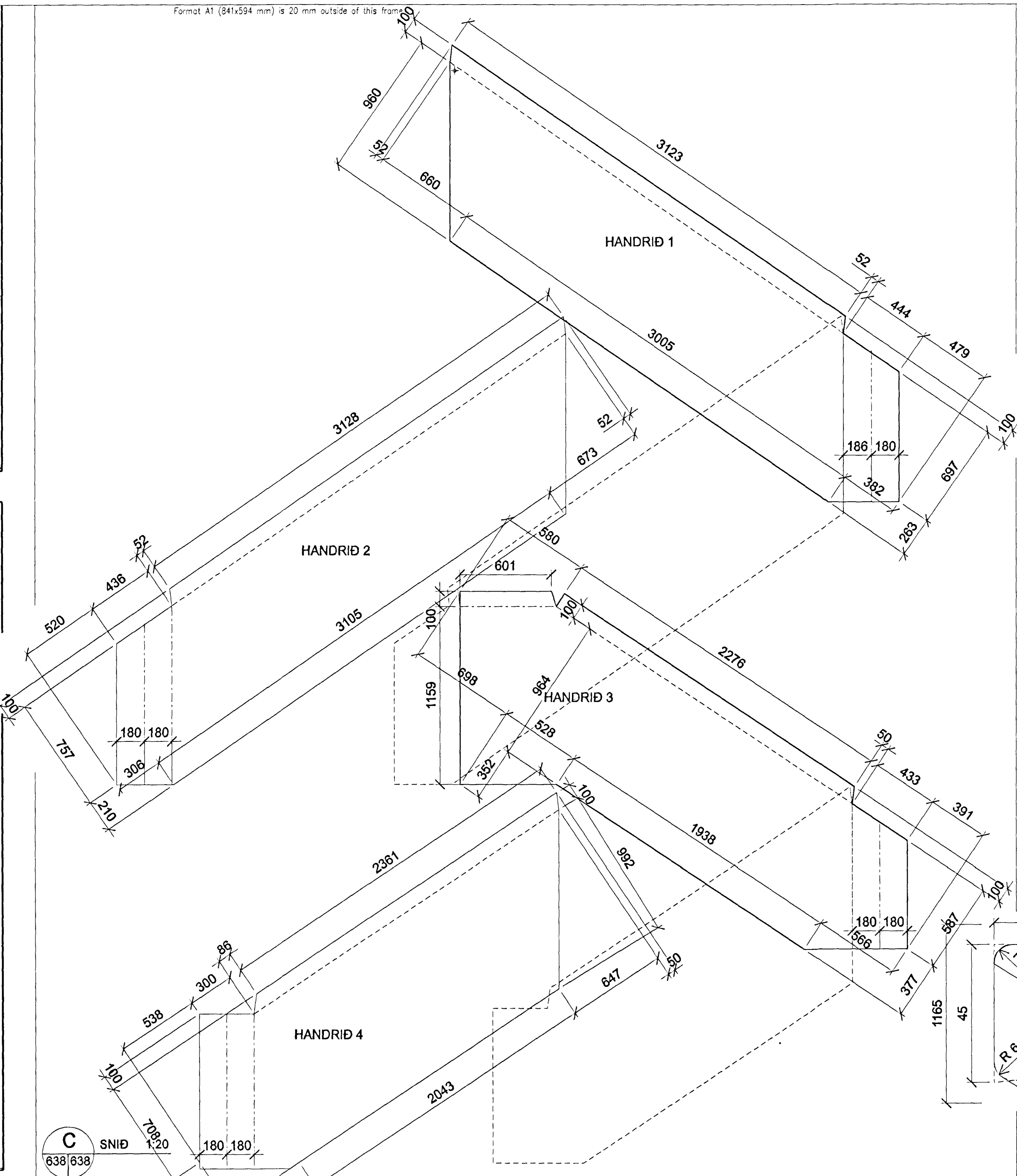
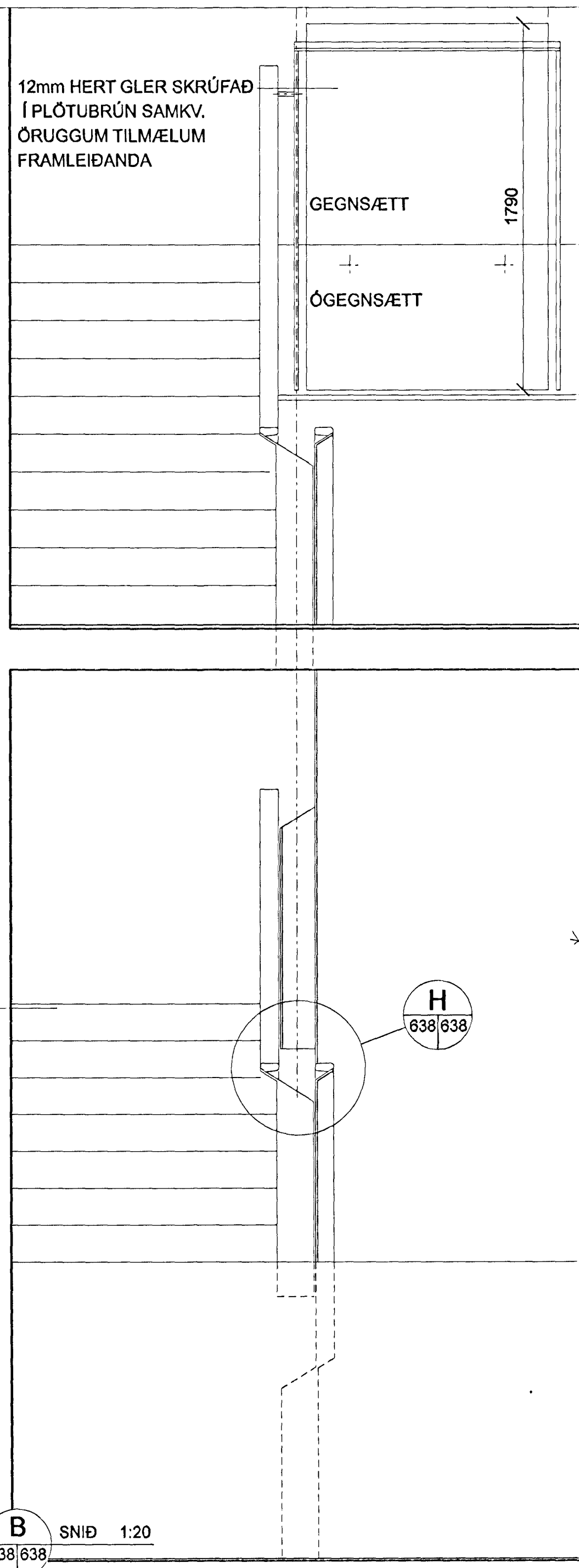
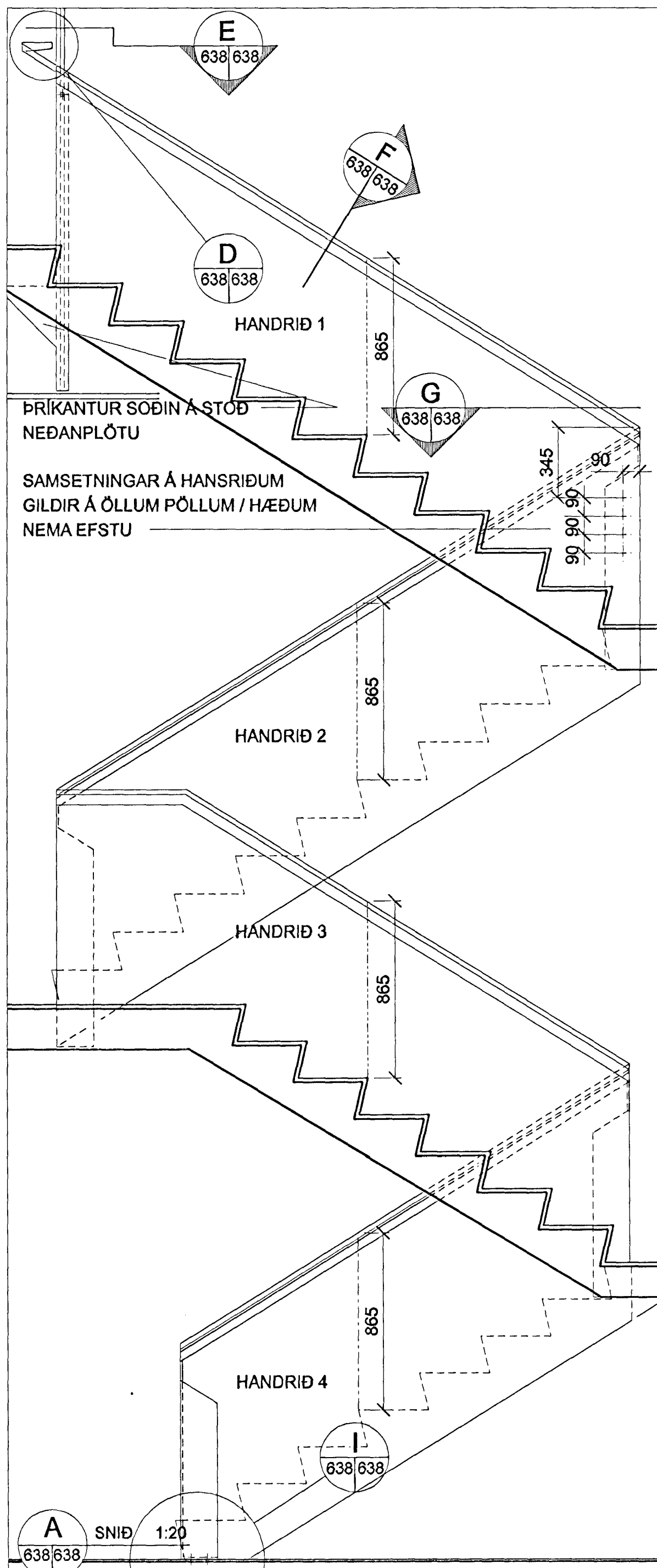


Format A1 (841x594 mm) is 20 mm outside of this frame



Skýringar:
Explanations: ÖLL MÁL ATHUGIST Á STADNUM

INGIMUNDUR SVEINSSON
JÓHANN EINARSSON
ÓLAFUR ÓSKAR AXELSSON
ÞÓRÐIS ZOEGA

Teknistofa Ingimundar Sveinssonar
Ingólfsstræti 3
101 Reykjavík
Sími 5204900
Fax 5204901
tis @ tis.is
www.tis.is

Þráttur / No.	Skýringar / Description	Dagur / Date	Stöð / Status	Stað / Location
1	Vinnuteikning	010703	010703	
	Reykt / Rev.			
	Breyting / Revision			

This drawing is the property of the Alcan Iceland Ltd. and handed out for personal use only. It may neither be copied nor made available to others without permission of the Alcan Iceland Ltd. The receiver is liable for any misuse.

Fjöldi stúka / Number of pieces	HNÚT / Object	Alm. / Material	Þ. / Weight	Íb. / Volume	Athugasemdir / Remarks
IV III I	INNRETING				Mhl. 94
	SKRIFSTOFUHÚS ALCAN				AKS no. 4110 12093
	STIGI 1, HANDRID				UM10
	Teknistofa Ingimundar Sveinssonar ehf				638 1
	ISAL				168638 1

Sambykkt þann 21 OKT. 2003
Byggingafulltrúinn í Hafnarfirði
Kfr. Sigurbjartur Halldórsson