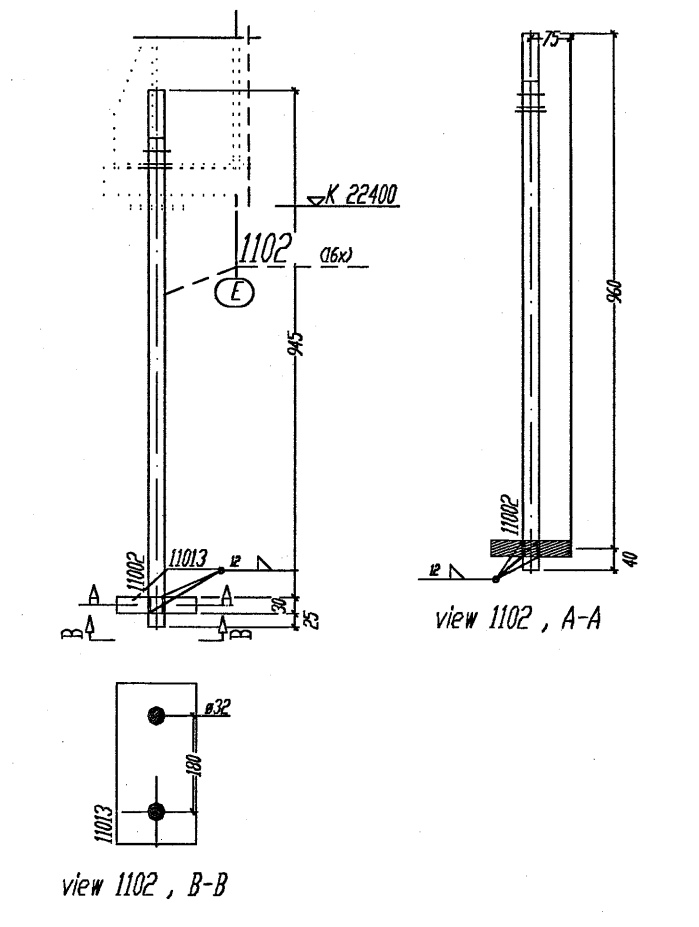


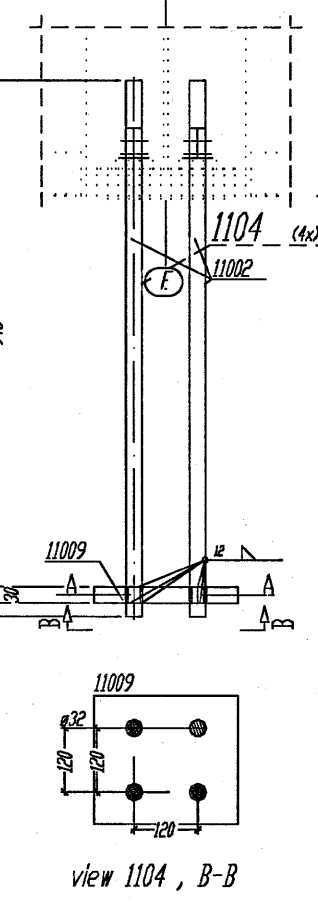
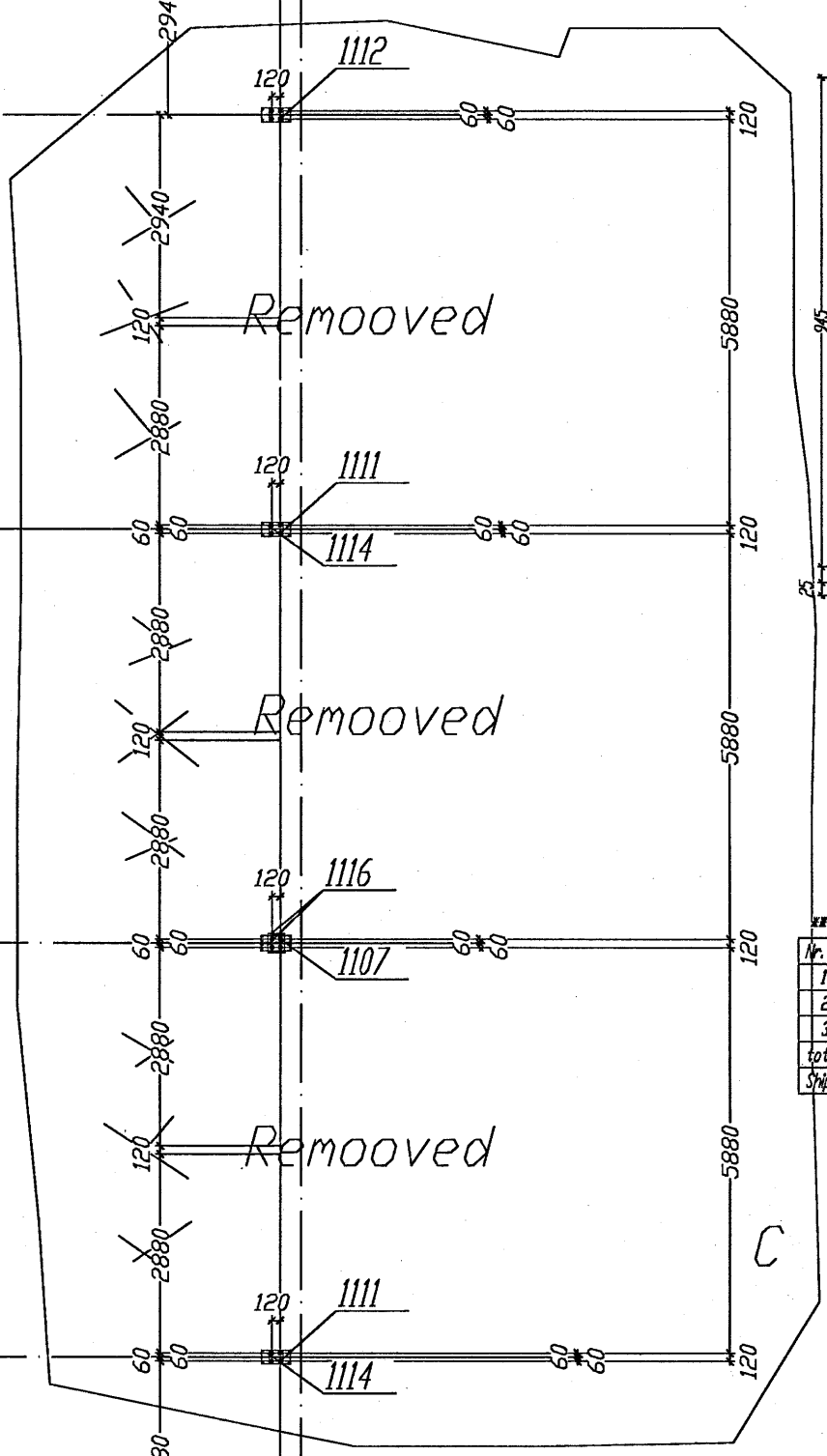
Bill of material for 1 Shop - POS. 1101 total 4 X done

No.	Qty	pos.	designation	city	part#	quality	length	weight	item
1	1	II	1101	FLANGER	S205.ER3	200	9.2		
2	2	II	1101	SCREW M8	S205.ER3	80	19.42		
3	1	II	1101	FLANGER	S205.ER3	45	38.30		
total weight kg									67.64
Shipping dimensions 01 x B x L3 218 x 465 x 893									



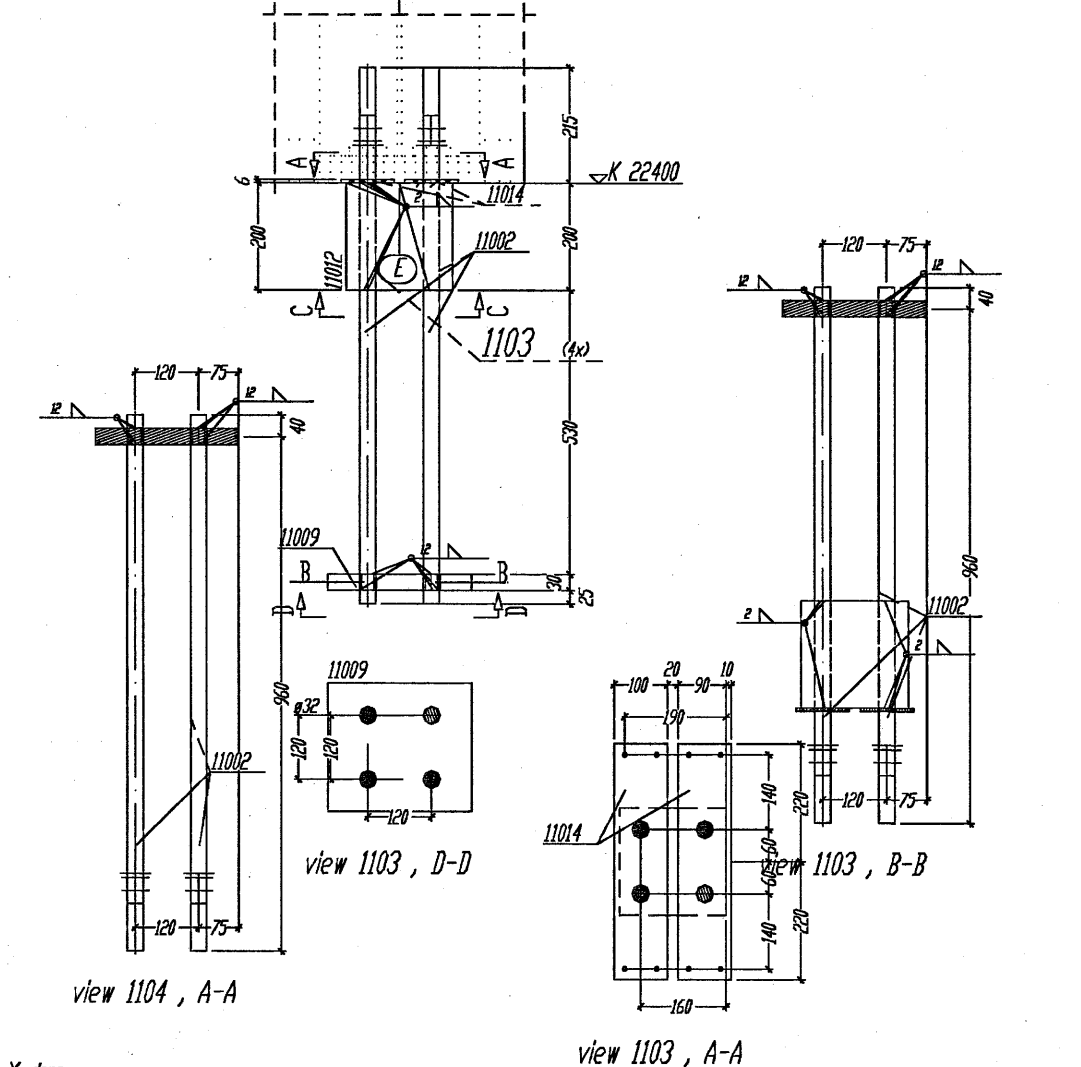
Bill of material for 1 Shop - POS. 1102 total 16 X done

No.	Qty	pos.	designation	city	part#	quality	length	weight	item
1	1	II	1102	SCREW M8	S205.ER3	100	5.53		
2	2	II	1102	SCREW M8	S205.ER3	100	5.53		
3	1	II	1102	FLANGER	S205.ER3	300	10.62		
total weight kg									21.77
Shipping dimensions 01 x B x L3 158 x 300 x 1000									



Bill of material for 1 Shop - POS. 1104 total 4 X done

No.	Qty	pos.	designation	city	part#	quality	length	weight	item
1	1	II	1104	SCREW M8	S205.ER3	100	5.53		
2	1	II	1104	SCREW M8	S205.ER3	100	16.52		
3	1	II	1104	FLANGER	S205.ER3	240	15.24		
total weight kg									37.43
Shipping dimensions 01 x B x L3 278 x 240 x 1000									



Bill of material for 1 Shop - POS. 1103 total 4 X done

No.	Qty	pos.	designation	city	part#	quality	length	weight	item
1	1	II	1103	SCREW M8	S205.ER3	100	5.53		
2	1	II	1103	SCREW M8	S205.ER3	100	16.52		
3	1	II	1103	FLANGER	S205.ER3	240	15.24		
4	1	II	1103	FLANGER	S205.ER3	280	8.7		
5	1	II	1103	FLANGER	S205.ER3	440	4.74		
total weight kg									47.73
Shipping dimensions 01 x B x L3 278 x 440 x 1000									

Samykkt þann  
07 AUG. 2007  
Byggingufulltrúinn í Hafnarfirði  
F.h. Sigurbjartur Halldórsson

Fyrir hönd Confs ehf. kt. 600105-1400  
staðfestist að teikning þessi hefur verið  
yfirlit. Teikningin er í samræmi við  
íslenska staða og reglugerðir. 7/6 07

*[Signature]* 130657-4475  
Nafn Kennitala

Look also on drgno 1002b

Tolerance for welded constructions according to DIN 8570, Pt.1+2+3+4, 10.87

Welding (V.P.S.) according to DIN EN 288 - 2

Required torques, prestressing forces and forced tension angles according to DIN 18810 Pt. 7, 10.83

Weld	Welding		Pre-stressing		Forces and forced tension angles	
	Welding	Pre-stressing	Force	Angle	Force	Angle
1	1	1	1	1	1	1
2	2	2	2	2	2	2
3	3	3	3	3	3	3
4	4	4	4	4	4	4
5	5	5	5	5	5	5
6	6	6	6	6	6	6
7	7	7	7	7	7	7
8	8	8	8	8	8	8
9	9	9	9	9	9	9
10	10	10	10	10	10	10
11	11	11	11	11	11	11
12	12	12	12	12	12	12
13	13	13	13	13	13	13
14	14	14	14	14	14	14
15	15	15	15	15	15	15
16	16	16	16	16	16	16
17	17	17	17	17	17	17
18	18	18	18	18	18	18
19	19	19	19	19	19	19
20	20	20	20	20	20	20
21	21	21	21	21	21	21
22	22	22	22	22	22	22
23	23	23	23	23	23	23
24	24	24	24	24	24	24
25	25	25	25	25	25	25
26	26	26	26	26	26	26
27	27	27	27	27	27	27
28	28	28	28	28	28	28
29	29	29	29	29	29	29
30	30	30	30	30	30	30
31	31	31	31	31	31	31
32	32	32	32	32	32	32
33	33	33	33	33	33	33
34	34	34	34	34	34	34
35	35	35	35	35	35	35
36	36	36	36	36	36	36
37	37	37	37	37	37	37
38	38	38	38	38	38	38
39	39	39	39	39	39	39
40	40	40	40	40	40	40
41	41	41	41	41	41	41
42	42	42	42	42	42	42
43	43	43	43	43	43	43
44	44	44	44	44	44	44
45	45	45	45	45	45	45
46	46	46	46	46	46	46
47	47	47	47	47	47	47
48	48	48	48	48	48	48
49	49	49	49	49	49	49
50	50	50	50	50	50	50
51	51	51	51	51	51	51
52	52	52	52	52	52	52
53	53	53	53	53	53	53
54	54	54	54	54	54	54
55	55	55	55	55	55	55
56	56	56	56	56	56	56
57	57	57	57	57	57	57
58	58	58	58	58	58	58
59	59	59	59	59	59	59
60	60	60	60	60	60	60
61	61	61	61	61	61	61
62	62	62	62	62	62	62
63	63	63	63	63	63	63
64	64	64	64	64	64	64
65	65	65	65	65	65	65
66	66	66	66	66	66	66
67	67	67	67	67	67	67
68	68	68	68	68	68	68
69	69	69	69	69	69	69
70	70	70	70	70	70	70
71	71	71	71	71	71	71
72	72	72	72	72	72	72
73	73	73	73	73	73	73
74	74	74	74	74	74	74
75	75	75	75	75	75	75
76	76	76	76	76	76	76
77	77	77	77	77	77	77
78	78	78	78	78	78	78
79	79	79	79	79	79	79
80	80	80	80	80	80	80
81	81	81	81	81	81	81
82	82	82	82	82	82	82
83	83	83	83	83	83	83
84	84	84	84	84	84	84
85	85	85	85	85	85	85
86	86	86	86	86	86	86
87	87	87	87	87	87	87
88	88	88	88	88	88	88
89	89	89	89	89	89	89
90	90	90	90	90	90	90
91	91	91	91	91	91	91
92	92	92	92	92	92	92
93	93	93	93	93	93	93
94	94	94	94	94	94	94
95	95	95	95	95	95	95
96	96	96	96	96	96	96
97	97	97	97	97	97	97
98	98	98	98	98	98	98
99	99	99	99	99	99	99
100	100	100	100	100	100	100

The material for cap plates X30 mm thick to be exorb for laminations

BIURO INZYNIERSKIE Marek i Janina MUCHA  
Osiny, ul. Opolska 30a, 46-070 Komprachcice tel.077-46 46 757

DATE	NAME	SIGNATURE	JOB SCALE
2007.08.07	MUCHA	<i>[Signature]</i>	

Pos. 1101-1105  
TJARNARVELLIR 11  
FUNDAMENT BOLTAR  
1001 c

Bill of material for 1 Shop - POS. 1105 total 3 X done

No.	Qty	pos.	designation	city	part#	quality	length	weight	item
1	1	II	1105	SCREW M8	S205.ER3	80	4.2		
2	1	II	1105	SCREW M8	S205.ER3	80	14.15		
3	1	II	1105	FLANGER	S205.ER3	240	21.69		
4	1	II	1105	FLANGER	S205.ER3	190	2.91		
total weight kg									43.94
Shipping dimensions 01 x B x L3 278 x 340 x 890									