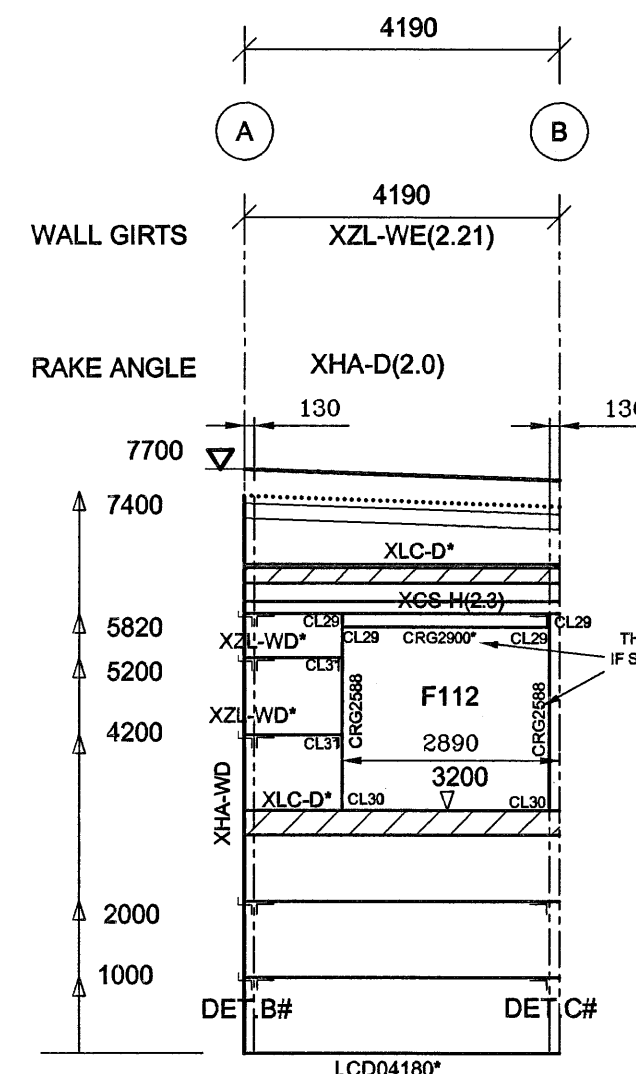
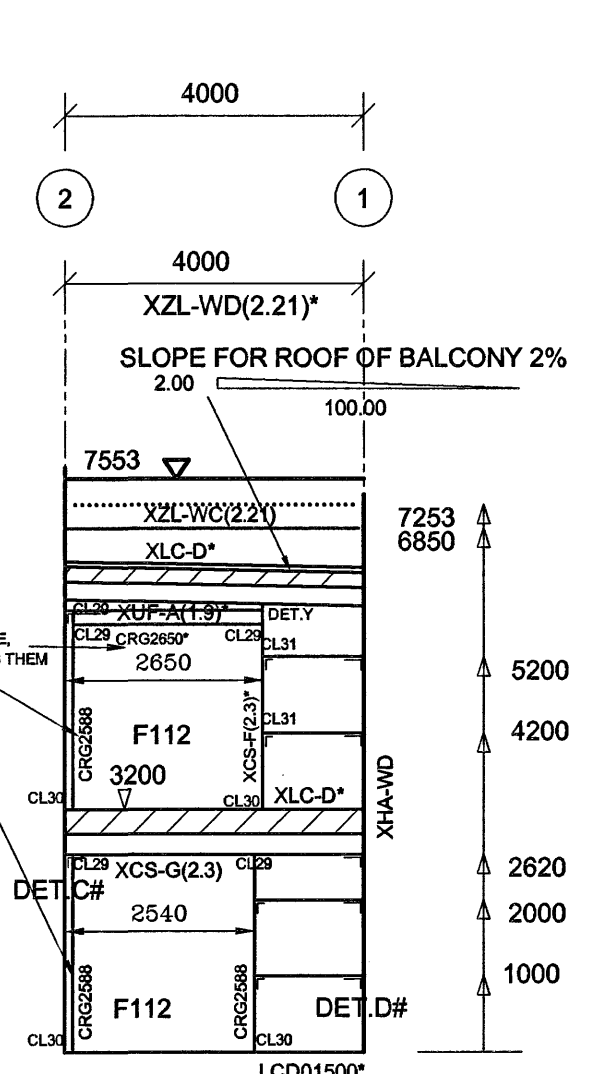


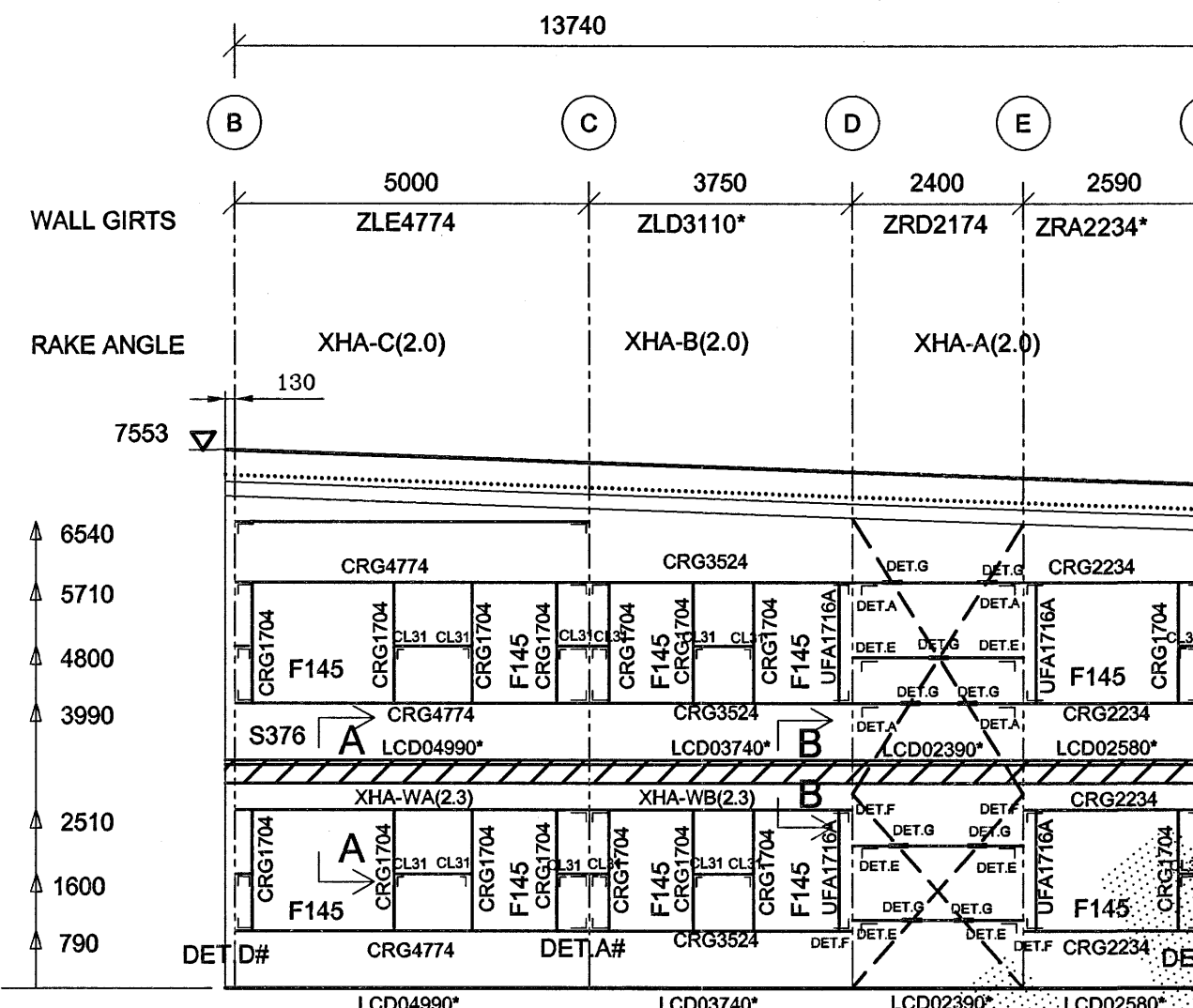
SIDEWALL AXIS A - FRAMING
(SCALE:1/100)



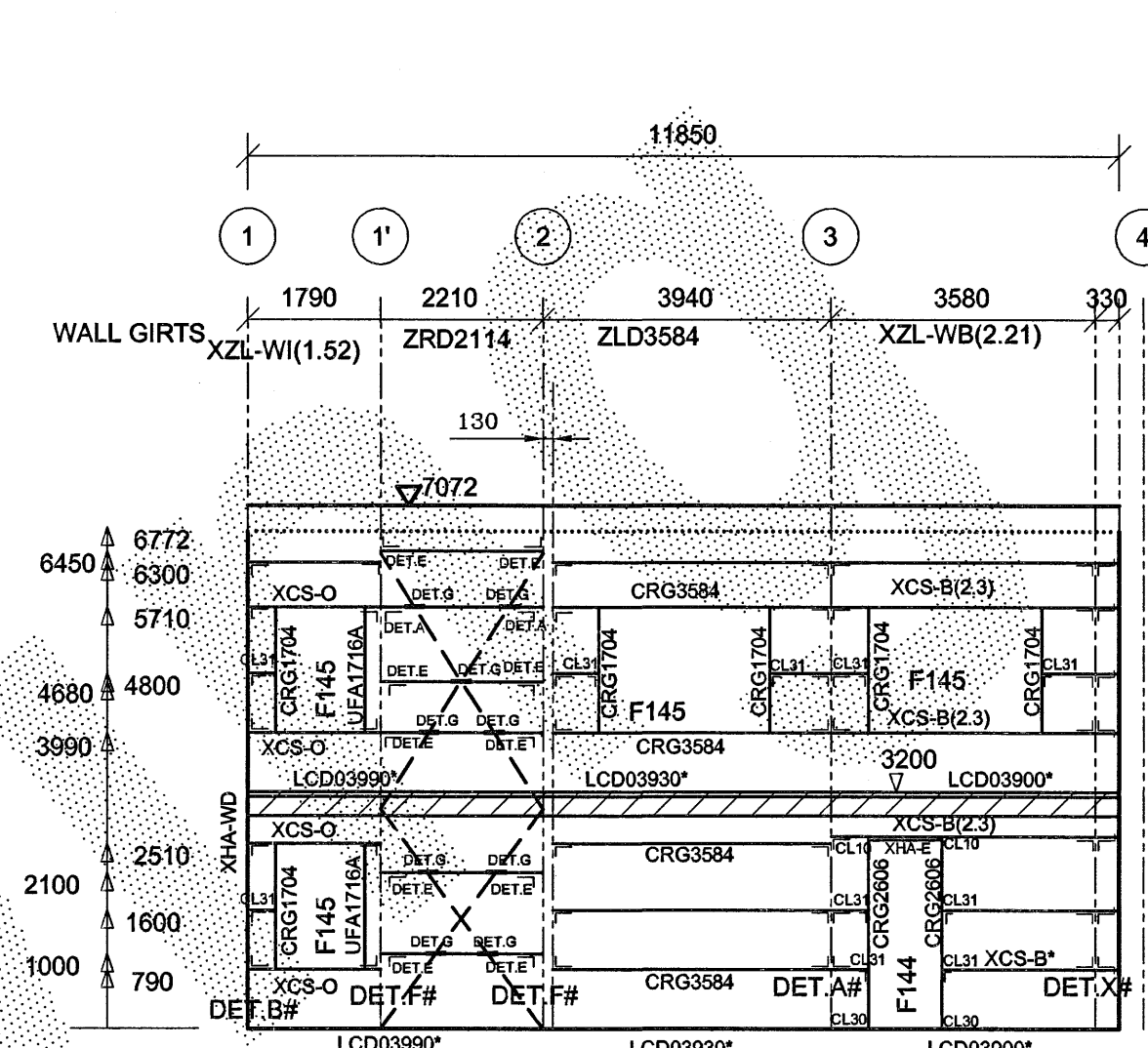
ENDWALL AXIS 2 - FRAMING
(SCALE:1/100)



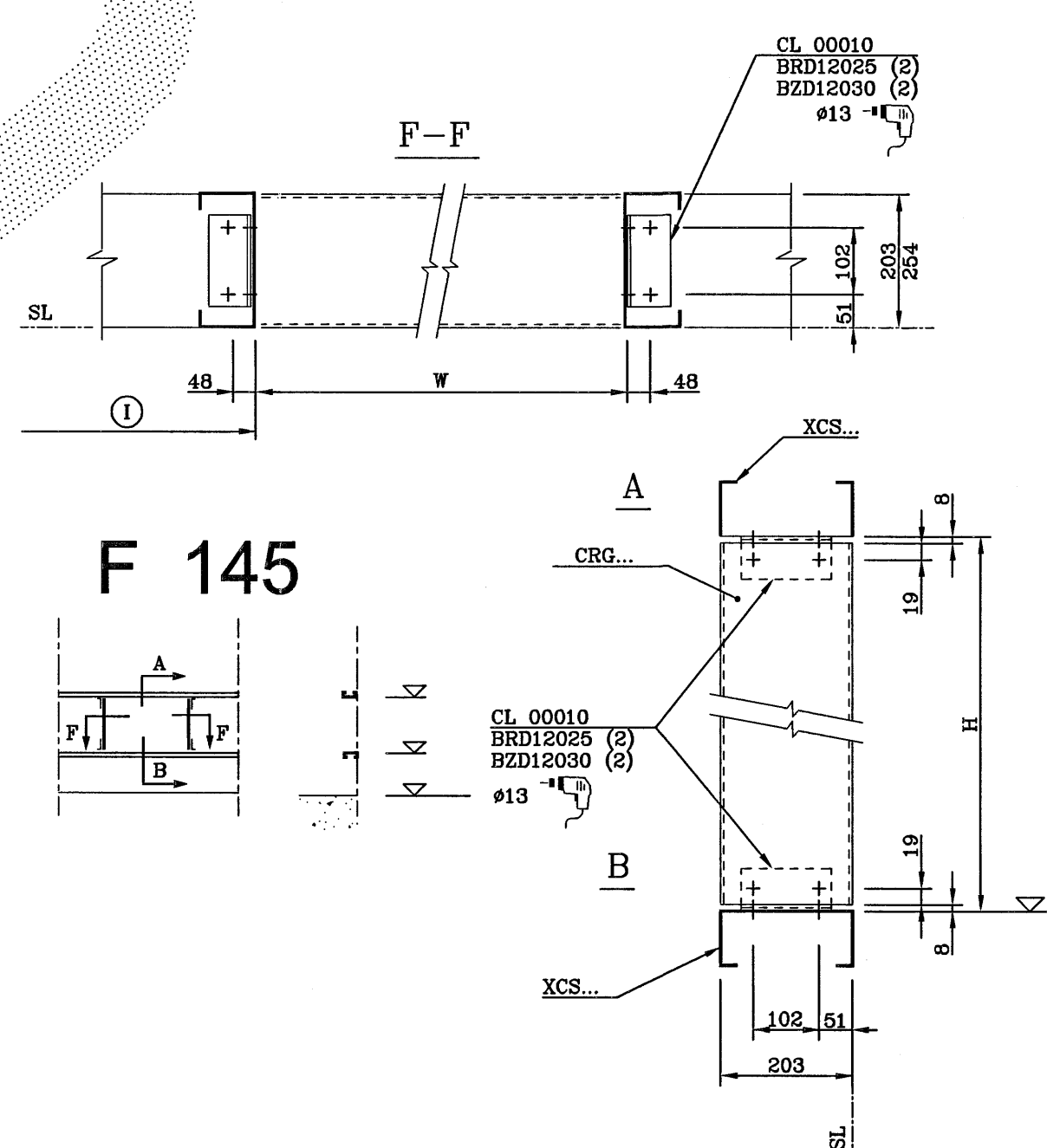
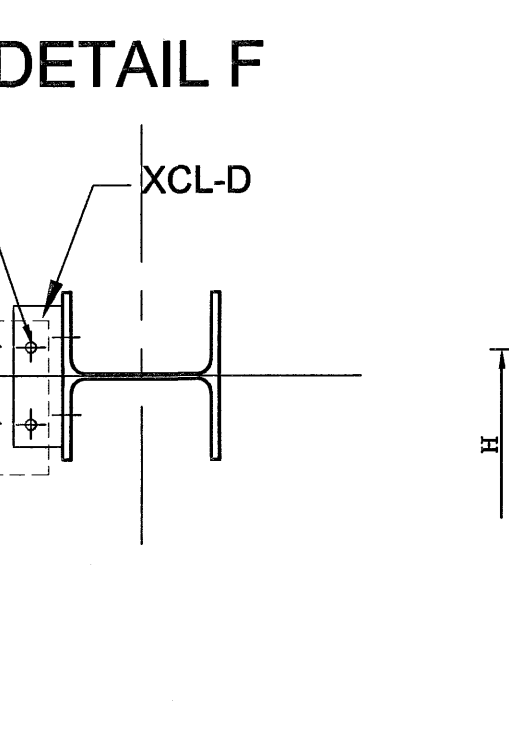
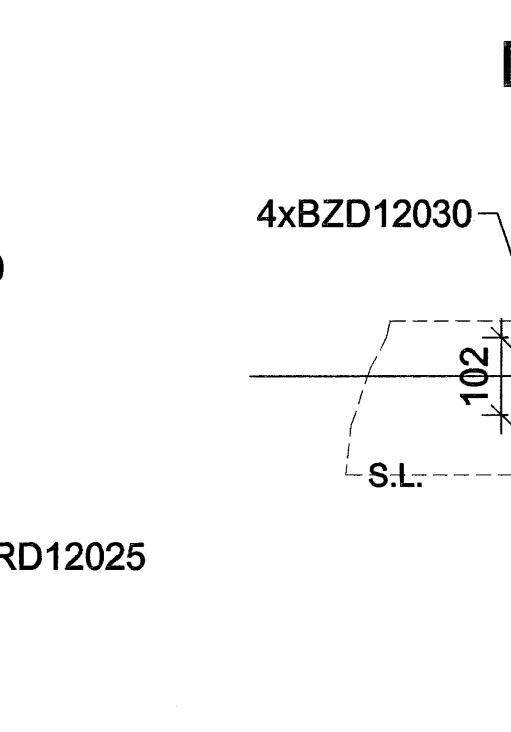
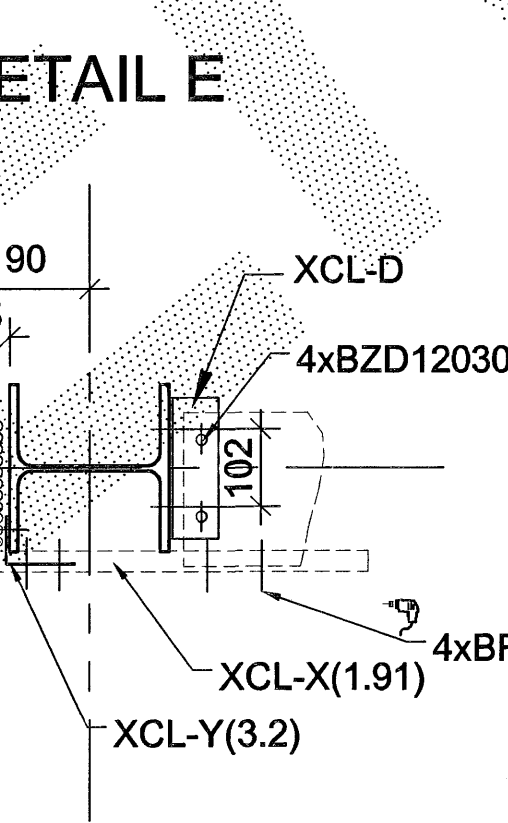
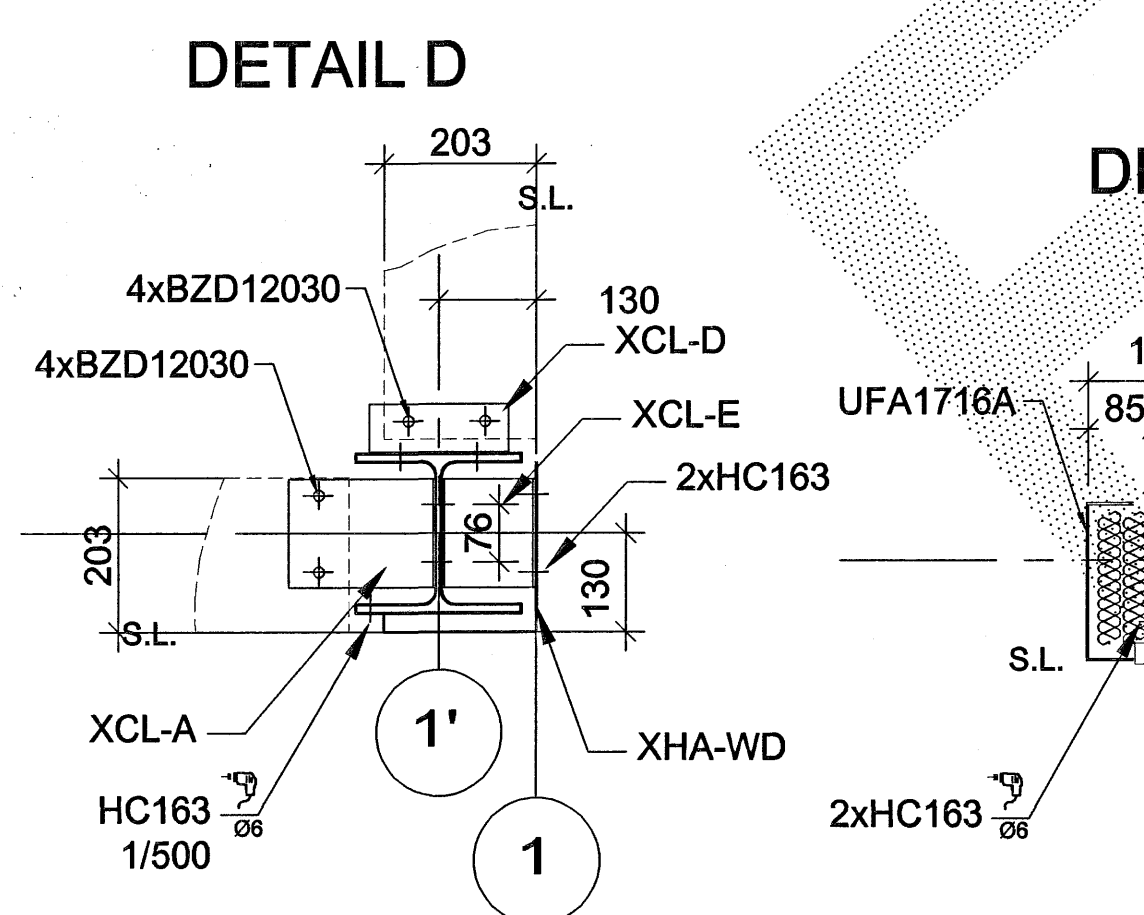
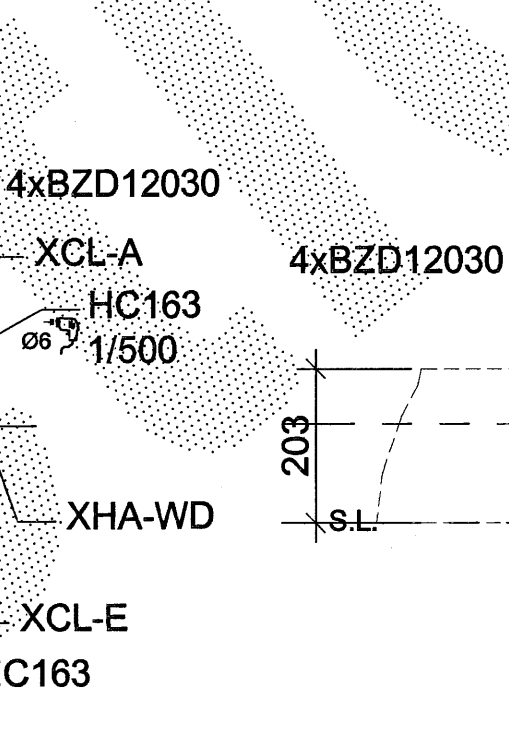
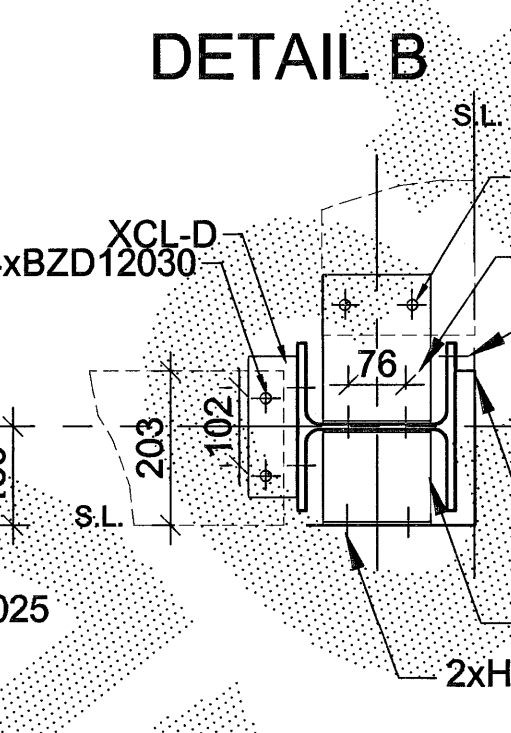
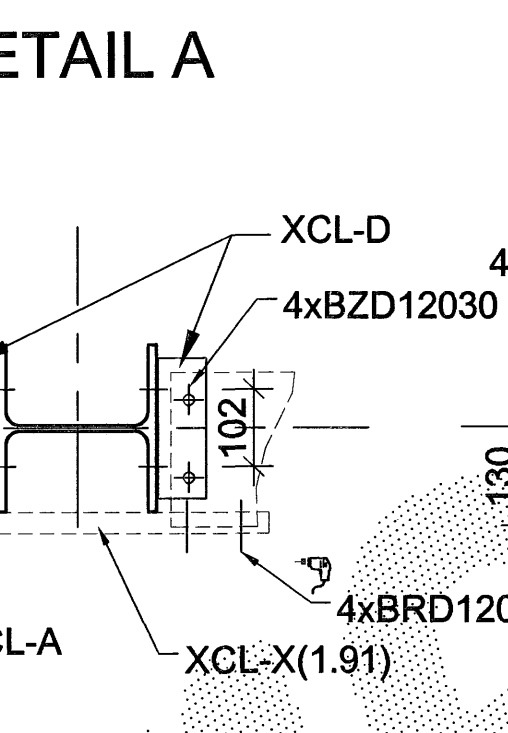
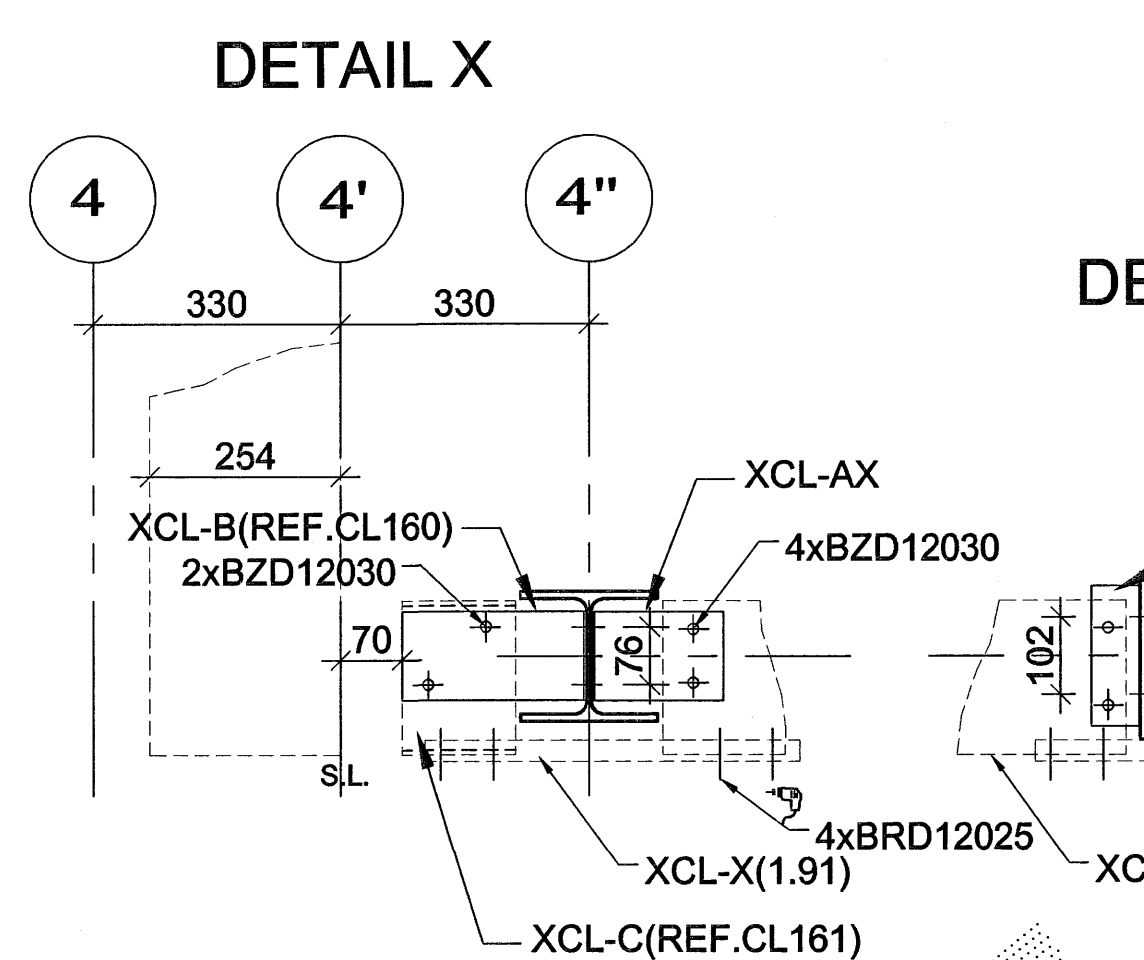
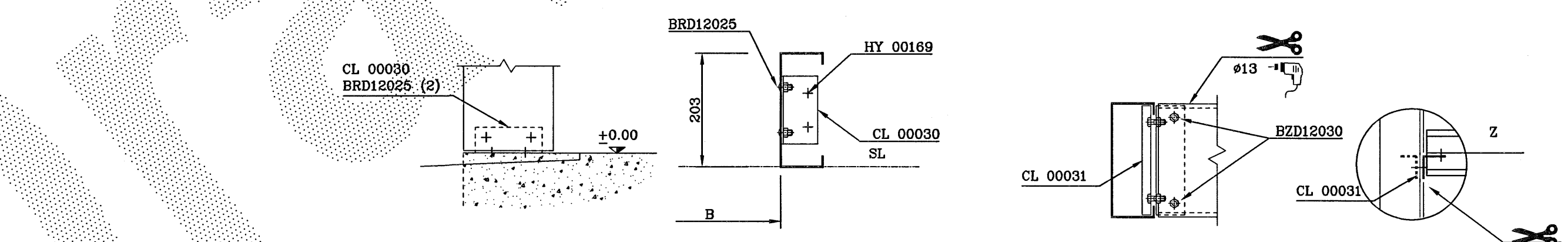
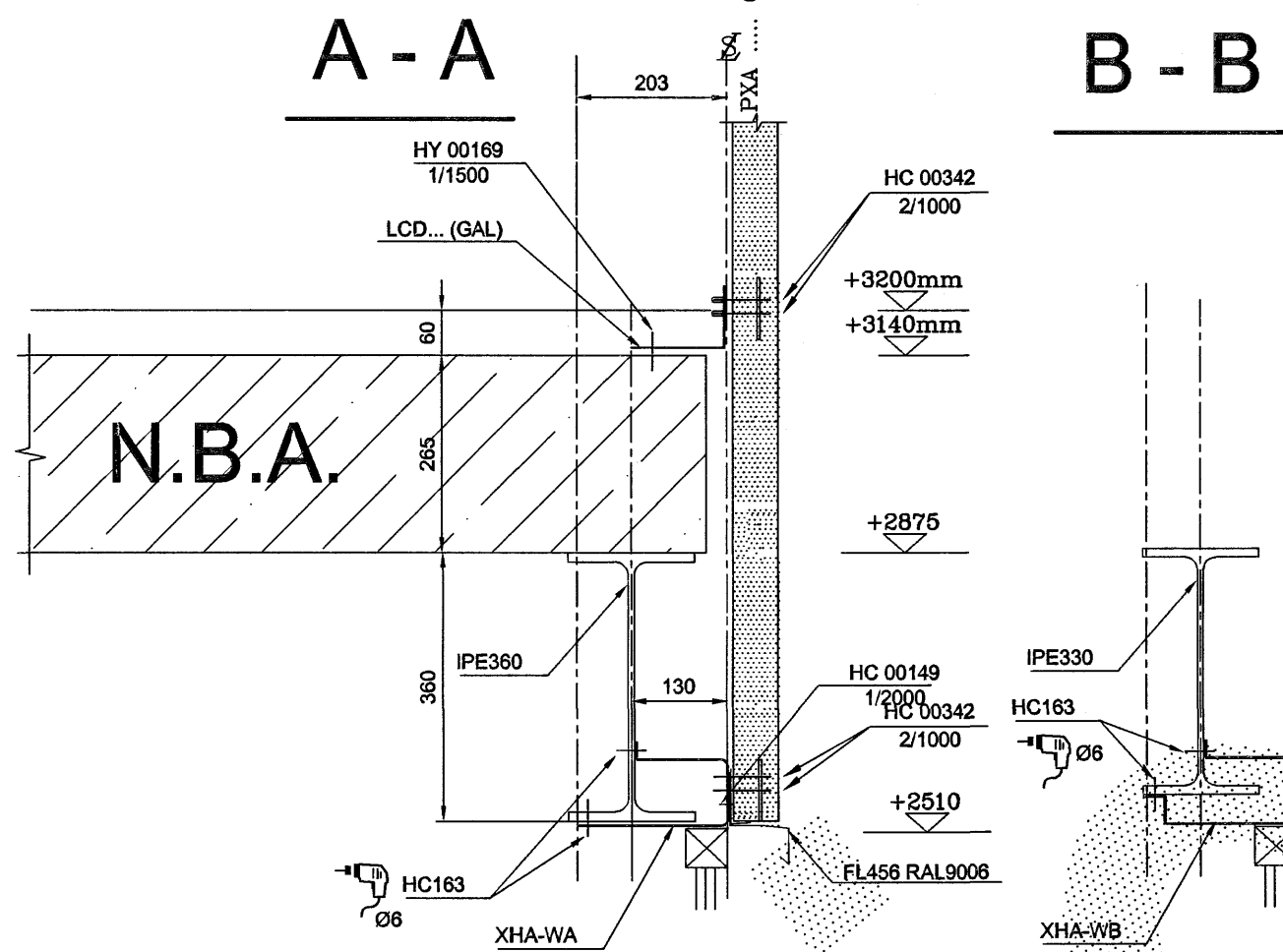
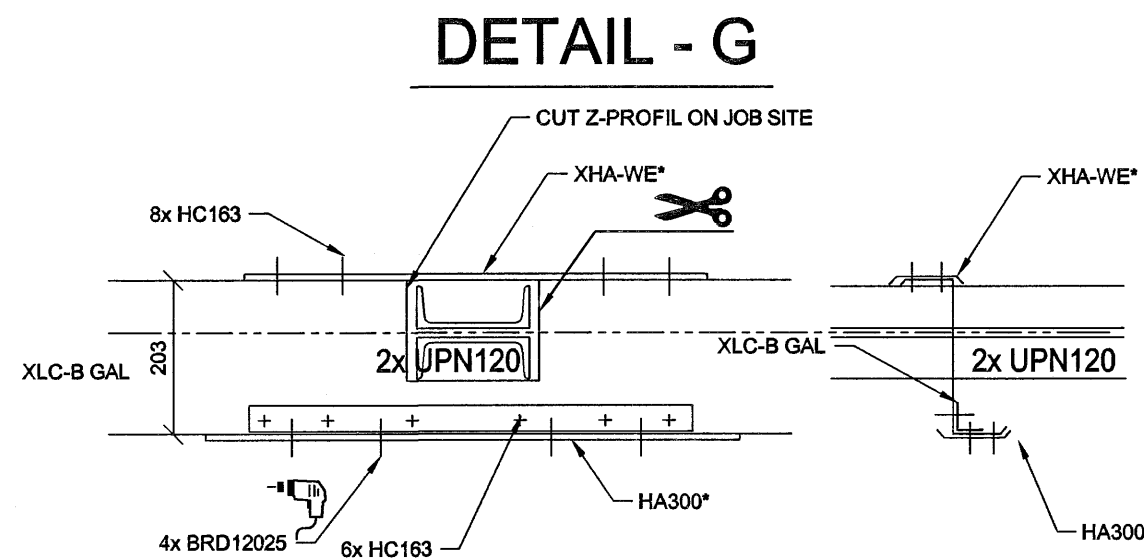
SIDEWALL AXIS B - FRAMING
(SCALE:1/100)



ENDWALL AXIS 1 - FRAMING
(SCALE:1/100)



SIDEWALL AXIS F - FRAMING
(SCALE:1/100)



ATTENTION

The complete building must be erected according to the erection documents and manuals as provided by ASTRON and all applicable local codes and standards. Moreover, we draw your attention to the points below as they are most critical for the building stability:

1. Correct amount, type, position and installation of flange bracings (LF - XLF-) in roof and walls.
2. Double nuts on the wind bracing rods and wind bracing being fastened.
3. Structural bolts in grade 10.9 must be assembled with structural nuts and washers in the same 10.9 grade only. Place structural bolts 10.9 grade as indicated on drawings.
4. Correct fastening of all the structural bolts using the method as specified by ASTRON
5. Correct number of all purlins and girts spacers (CL 00025, CL 00021...).
6. Correct number and location of double purlins.
7. Correct positioning of the sag rods (RSG.) and cleats (CL 00140).

STD PROFILES DESCRIPTION LIST	NSTD PROFILES DESCRIPTION LIST
BYP: NOT DEFINED	XCS-A: C-GIRT SIMPLE SPAN
CSG: C-GIRT SIMPLE SPAN 203*2.3	XCS-B: C-GIRT SIMPLE SPAN
LCB: ANGLE 50°50°2.0	XCS-C: C-GIRT SIMPLE SPAN
LCD: NOT DEFINED	XHA: RAKE ANGLE
RBH: TIE ROD DIAM 18	
ZSK: ZEE SIMPLE SPAN 254*2.70	

- TECHNICAL NOTES**
- General**
1. Drawings must be read in conjunction with ASTRON Technical Manual.
 2. Building components must be erected in accordance with erection information supplied by Astron Buildings and all applicable local codes and standards.
 3. All measurements are in millimetres
 4. * = Field adapted
 5. Purlin spacings are rounded to mm and cannot be added
- Foundations and Anchor Bolts**
1. Foundations must be designed by a qualified foundation engineer (more details on AB-layout)
 2. Applicable columns reactions see chart "Foundation Reactions"
- Primary and Secondary Structural Framing**
1. Flange bracing installation as per technical manual (TM) standard detail W1 - chapter
 2. Unless noted different:
 - 1) Purlin diaphragms - at peak (see TM W316, W326, W327) - Double purlins (see TM W311, W321)
 - 2) Wind bracing details, see TM chapter W2..
 - 3) Roof stabilization if necessary:
 - Purlin spacers (HS... see TM details W37. and W 38.)
 - Sag rods (RSG-) see TM W... and cross-section.
 - Tie straps (HC 00250) see TM W7.. chapter.
- Panels and Accessories**
1. Field locate roof openings and accessories
 2. Field cut and adapt girts and panels shown in overlap with an accessory element
 3. Compensation of panel tolerance currently during installation
- Unless noted different:
All BSK- bolts must be installed with the 'TURN OF THE NUT' method, as described in the erection manual.
All other must be installed 'SNUG TIGHT'

This design is the property of ASTRON BUILDINGS, a member of the Lindab Group.
Copying and manufacturing components according to these drawings or calculations is illegal.

Sampykkt þann 19 JULI 2007
Byggingulltrúinn í Hafnarfirði
F.h. Sigurbjartur Halldórsson

DET: 2112	4721	R481	S331	S336	S338	S371	S376	S381	S386
S900	S908	S907	S908	S909	S911	S912	S913	S914	S948
S947	S948	S949	V137	V182	V187	V272	V277	W211	W212
W221	W222	W241							

PROJ: FEDEX, Selhella 9 - Selhella 9
BUILDING: AL 3.3% SPAN 17.930m EH 7.400m L11.85m ALT:
LOADS: LL/WL/AdL: 110/180/40 (Da/N/m2) CRANE: 0.0

NORMS: PRIM. SEC. JTOME-14h27

ASTRON WALL FRAMING *Burðarvirki Veggi.* DATE: 01/02/07
REV. A. Add details and part numbering 13/03/2007 J.T. ENG: M.Hjálkúk
REV. B. DRAF: J.Tomessk
REV. C.

ASTRON BUILDINGS S.A. - P.O.Box152 - L-9202 DIEKIRCH-LUXEMBOURG - Tel:+352 80 29 11 - Fax:+352 80 34 66

29. Mars 2007
HÚS OG RÁÐGJÖF ehf.
ARKITEKTUR OG VEKJAFRÆÐISSTOFA
Kl. 510391-2529 - Vsk. 37600
Draugavogi 17, 104 Reykjavík
Sími 262-2420 - Fax 562-2430

Stefnir G. Samundsson
Grunnleggjaraforsetur