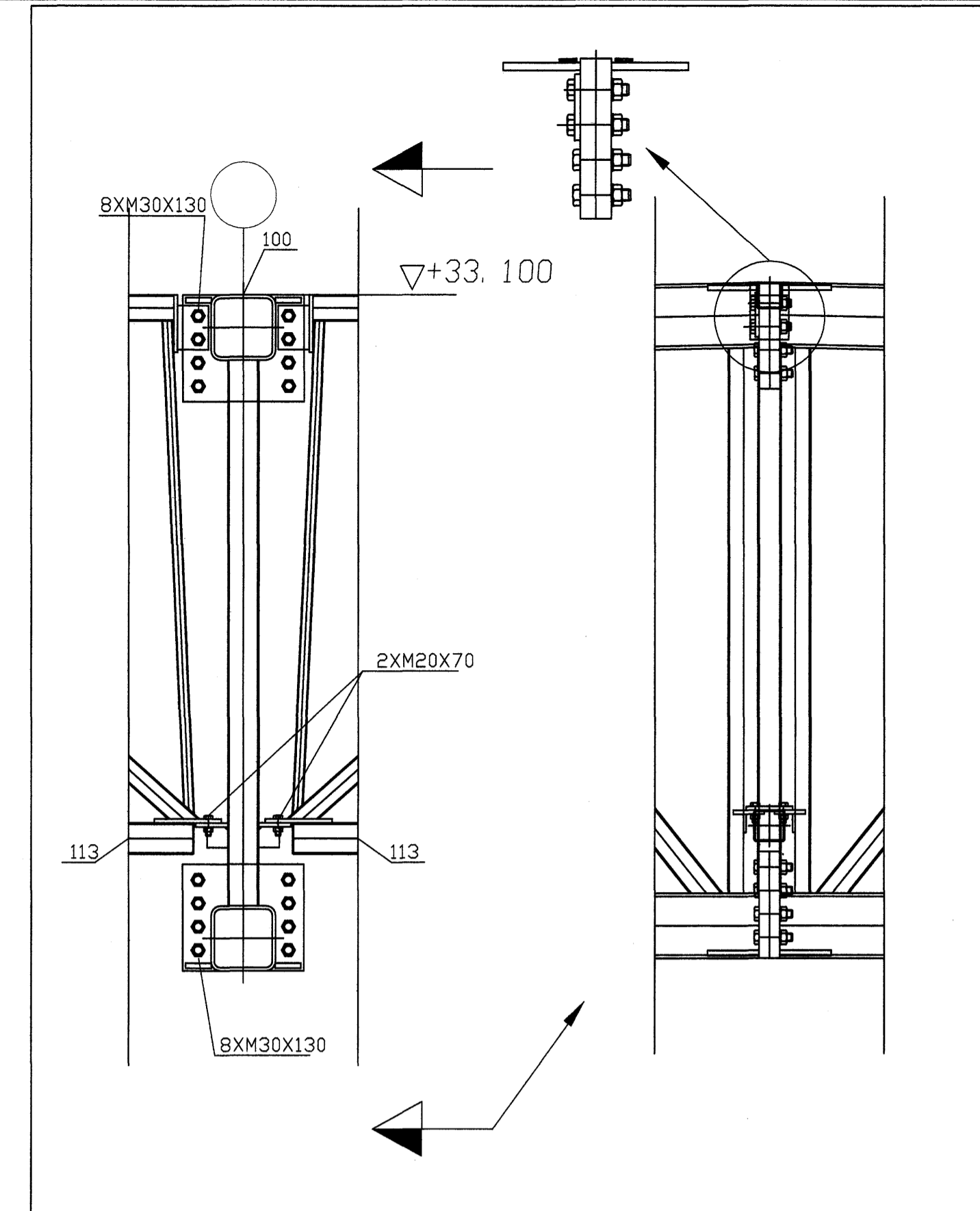
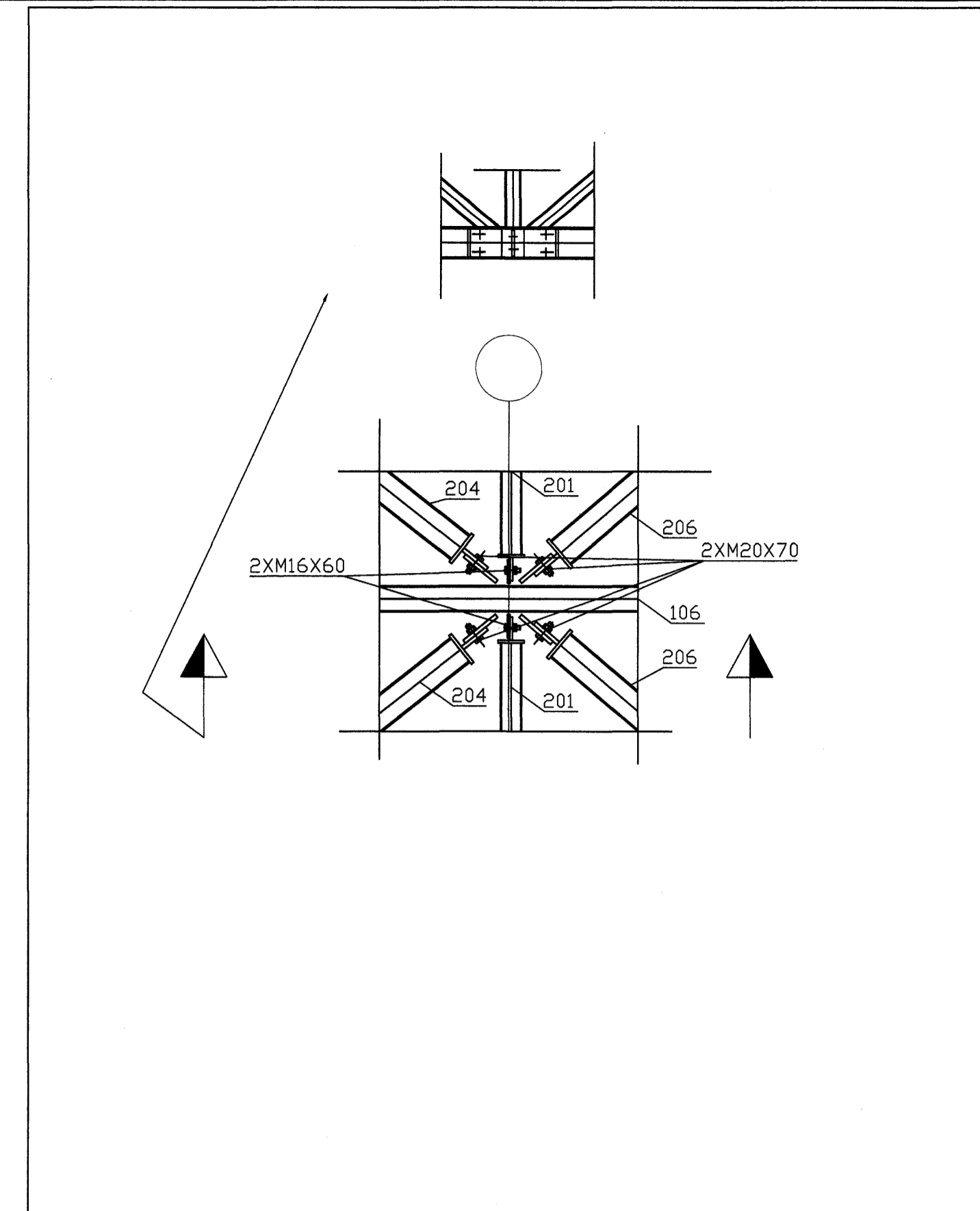


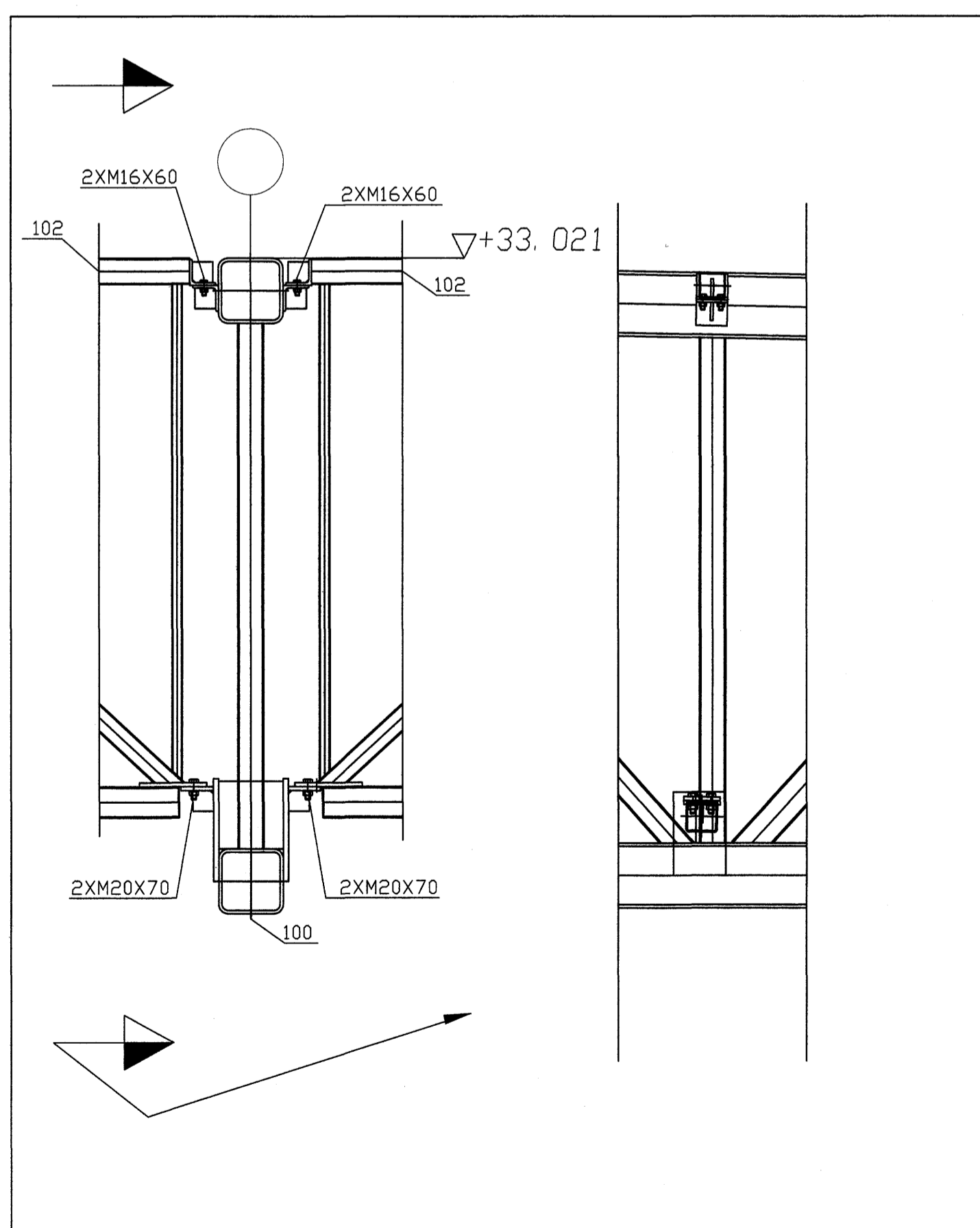
Project SWIMMING POOL, ICELAND		Subject DET 23	
TRUSS - CONCRETE WALL		Scale 1: 20	
KPM-Engineering FMC GROUP		Drawn by KNU	Drawing number T111. 10
Kalevantie 7 C FI-33100 TAMPERE FINLAND		Checked by MLU	Date 04. 05. 07



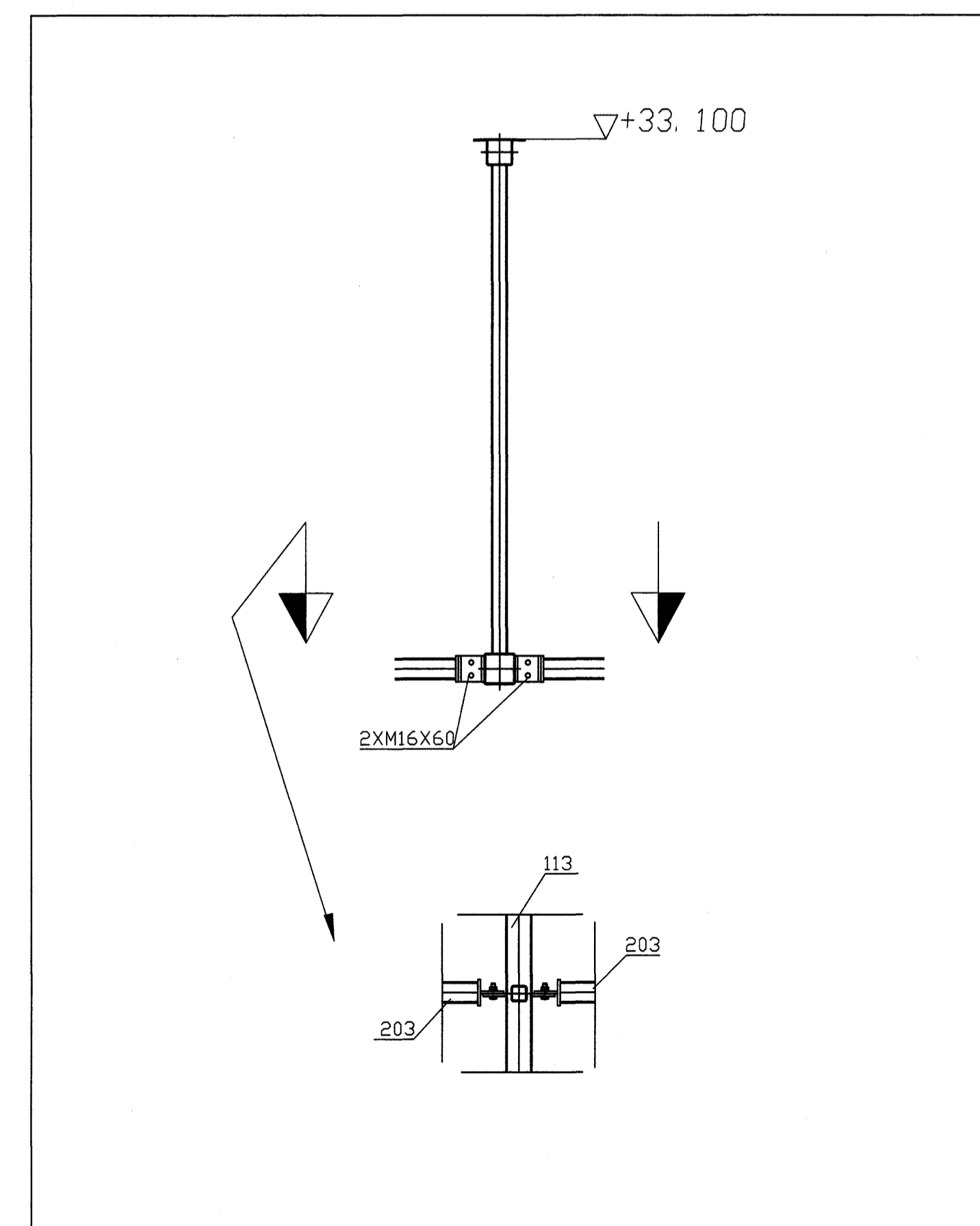
Project SWIMMING POOL, ICELAND		Subject DET 24	
TRUSS - CONCRETE WALL		Scale 1: 20	
KPM-Engineering FMC GROUP		Drawn by THY	Drawing number T111. 10
Kalevantie 7 C FI-33100 TAMPERE FINLAND		Checked by MLU	Date 04. 05. 07



Project SWIMMING POOL, ICELAND		Subject DET 26	
TRUSS - CONCRETE WALL		Scale 1: 20	
KPM-Engineering FMC GROUP		Drawn by THY	Drawing number T111. 10
Kalevantie 7 C FI-33100 TAMPERE FINLAND		Checked by MLU	Date 04. 05. 07



Project SWIMMING POOL, ICELAND		Subject DET 27	
TRUSS - CONCRETE WALL		Scale 1: 20	
KPM-Engineering FMC GROUP		Drawn by THY	Drawing number T111. 10
Kalevantie 7 C FI-33100 TAMPERE FINLAND		Checked by MLU	Date 04. 05. 07



Project SWIMMING POOL, ICELAND		Subject DET 28	
TRUSS - CONCRETE WALL		Scale 1: 20	
KPM-Engineering FMC GROUP		Drawn by THY	Drawing number T111. 10
Kalevantie 7 C FI-33100 TAMPERE FINLAND		Checked by MLU	Date 04. 05. 07

Samþykkt þann
25 JAN. 2008
Byggingfulltrúinn í Hafnarfjarðar
F.h. Sigurbjartur Halldórsson

Ög.	Nr.	Breytingar	Hönnuður	Daga

Ásvellir 2- Sundmiðstöð Hafnarfjarðar

Strendingur ehf.
Verkfræðipjónusta
Fjarbergata 12-14 • 202 Hafnarfjarður
Sími 565 5646, Fax 565 5641

Burðarþol - Þak
Sérteikningar

Dags
08.05. 2007

Telnað / Hannað af
JW/SG

Málsvið
1: 20

Númer teikningar
284

