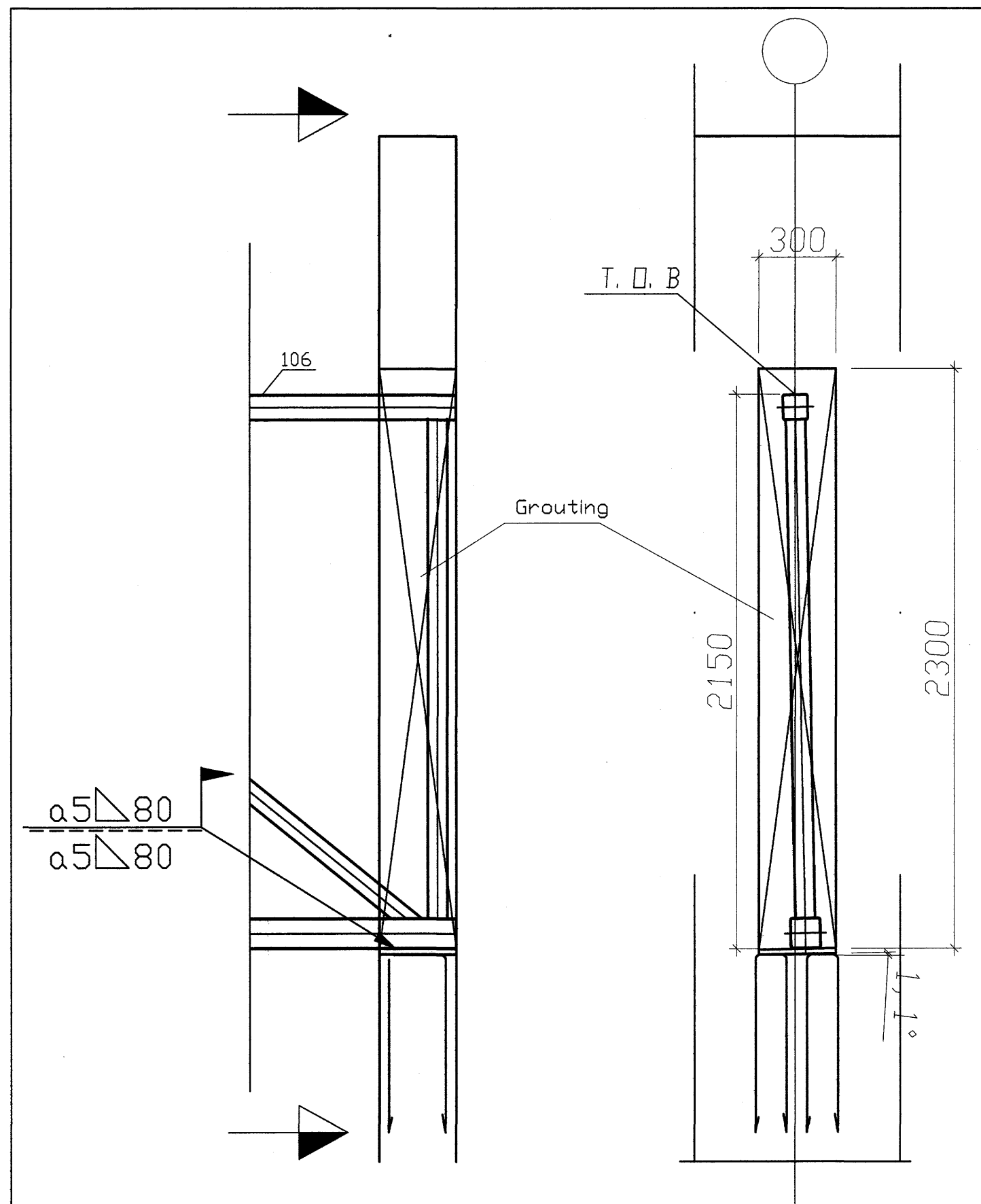
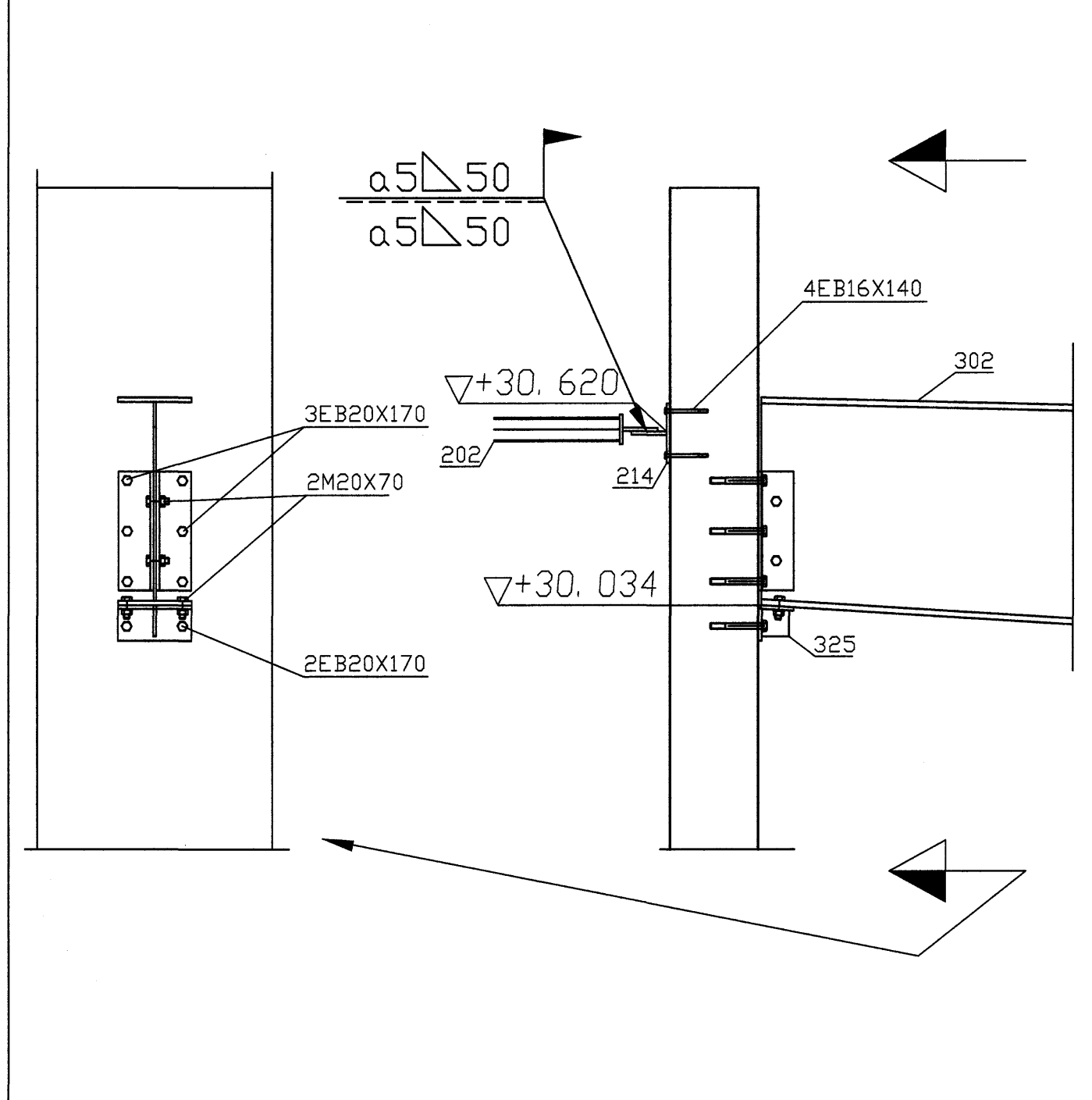


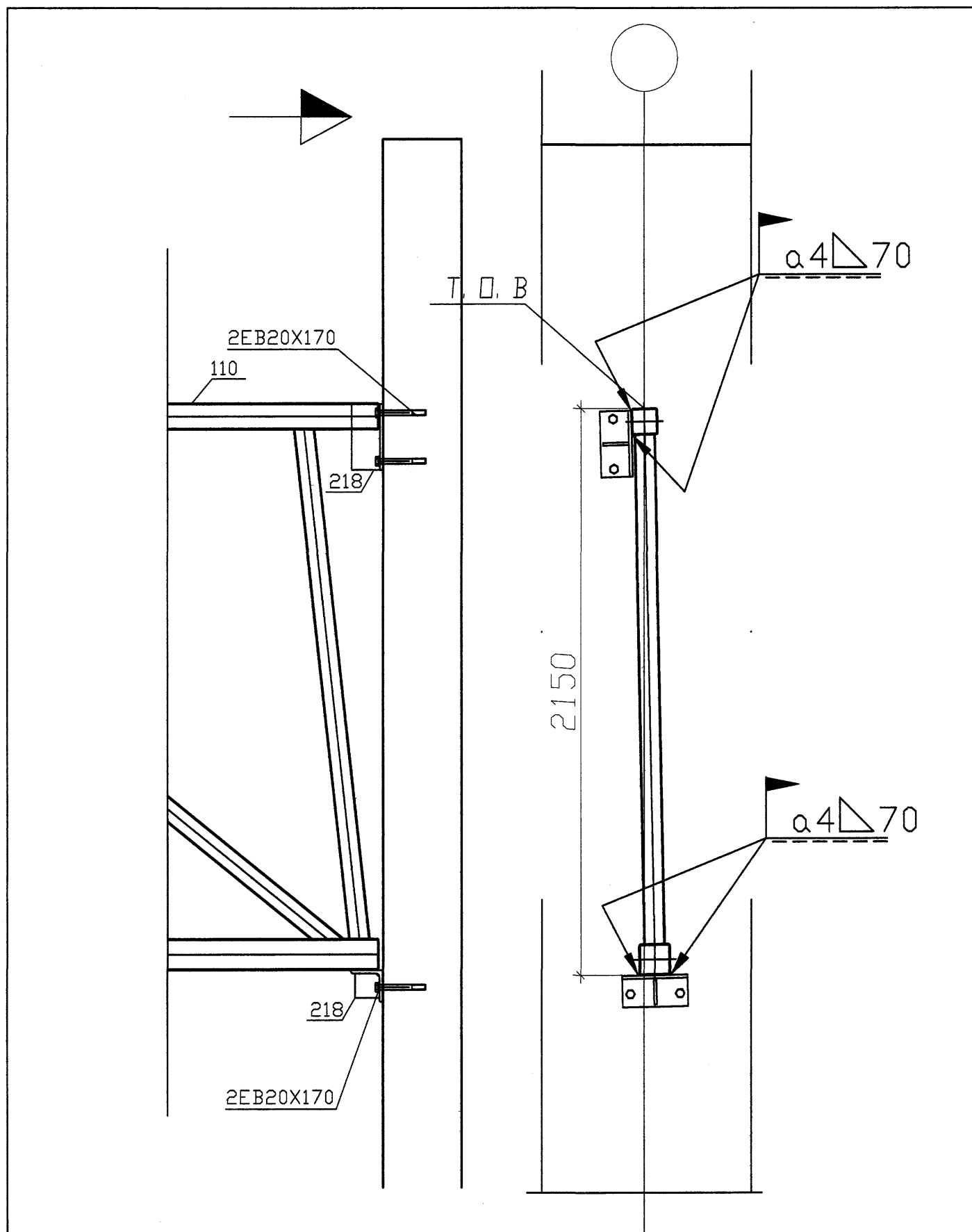
Project SWIMMING POOL, ICELAND	Subject DET 18
TRUSS - CONCRETE WALL	Scale 1: 20
KPM-Engineering FMC GROUP Kalevantie 7 C puh: +358 3 273 711 FI-33100 TAMPERE fax: +358 3 273 7333 FINLAND fax: +358 3 273 7300	Drawn by KNU Drawing number T111. 10 Rev
	Checked by MLU Date 04. 05. 07



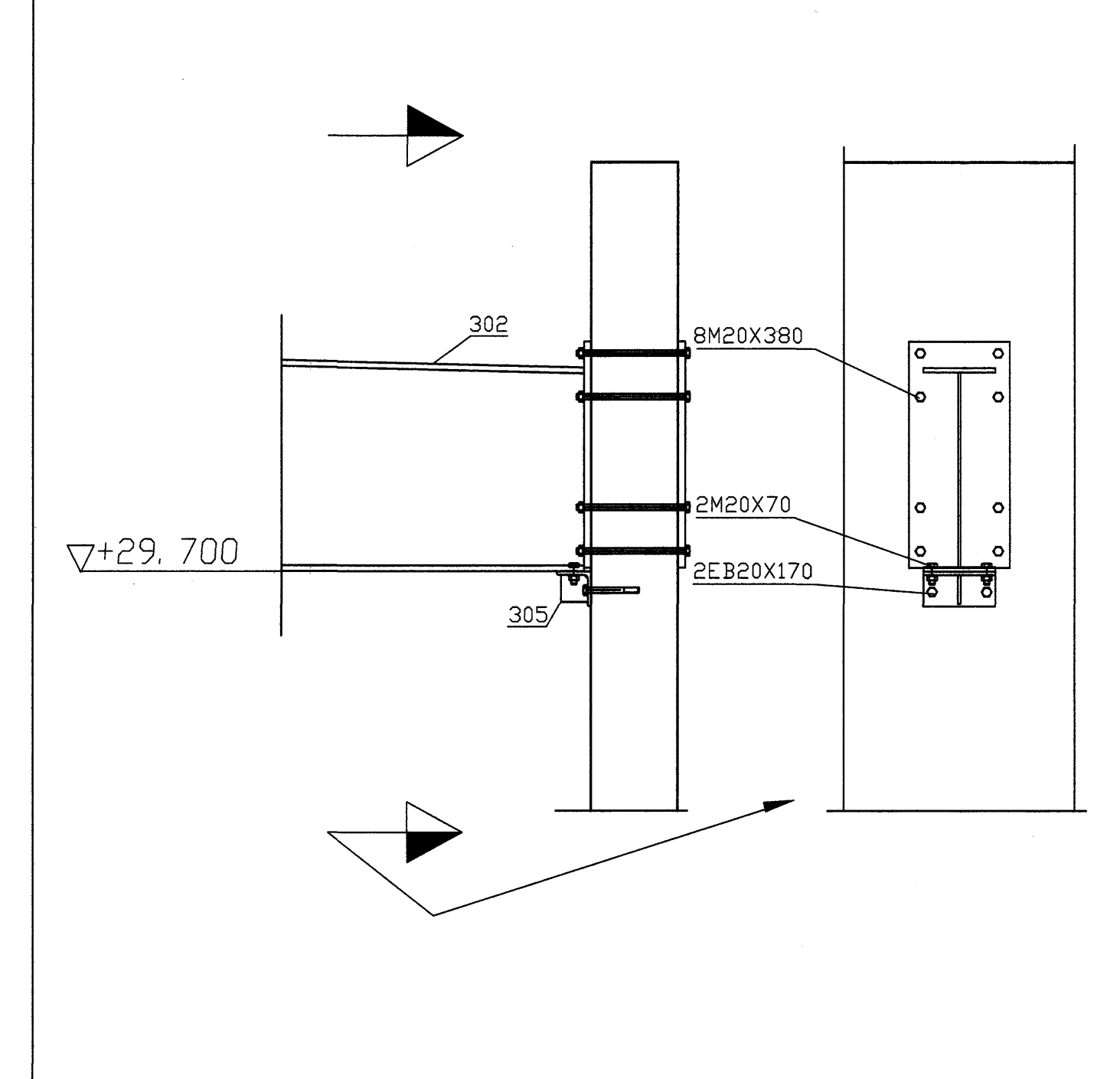
Project SWIMMING POOL, ICELAND	Subject DET 21
TRUSS - CONCRETE WALL	Scale 1: 20
KPM-Engineering FMC GROUP Kalevantie 7 C puh: +358 3 273 711 FI-33100 TAMPERE fax: +358 3 273 7333 FINLAND fax: +358 3 273 7300	Drawn by KNU Drawing number T111. 10 Rev
	Checked by MLU Date 04. 05. 07



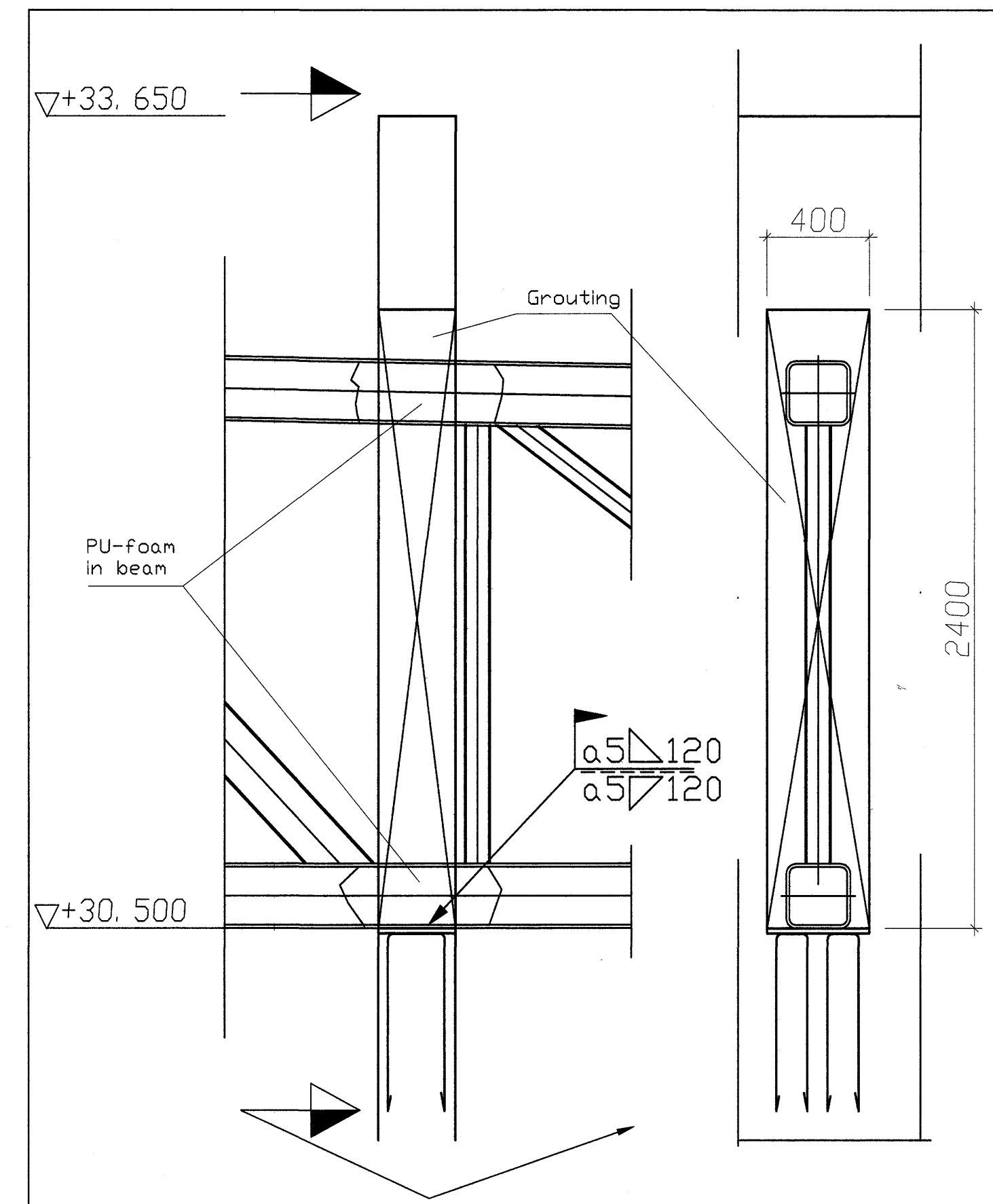
Project SWIMMING POOL, ICELAND	Subject DET 19
ROOF BEAM - CONCRETE WALL	Scale 1: 20
KPM-Engineering FMC GROUP Kalevantie 7 C puh: +358 3 273 711 FI-33100 TAMPERE fax: +358 3 273 7333 FINLAND fax: +358 3 273 7300	Drawn by KNU Drawing number T111. 10 Rev
	Checked by MLU Date 04. 05. 07



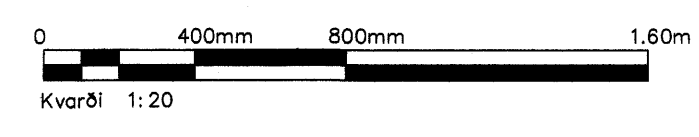
Project SWIMMING POOL, ICELAND	Subject DET 25
TRUSS - CONCRETE WALL	Scale 1: 20
KPM-Engineering FMC GROUP Kalevantie 7 C puh: +358 3 273 711 FI-33100 TAMPERE fax: +358 3 273 7333 FINLAND fax: +358 3 273 7300	Drawn by KNU Drawing number T111. 10 Rev
	Checked by MLU Date 04. 05. 07



Project SWIMMING POOL, ICELAND	Subject DET 20
ROOF BEAM - CONCRETE WALL	Scale 1: 20
KPM-Engineering FMC GROUP Kalevantie 7 C puh: +358 3 273 711 FI-33100 TAMPERE fax: +358 3 273 7333 FINLAND fax: +358 3 273 7300	Drawn by KNU Drawing number T111. 10 Rev
	Checked by MLU Date 04. 05. 07



Project SWIMMING POOL, ICELAND	Subject DET 22
TRUSS - CONCRETE WALL	Scale 1: 20
KPM-Engineering FMC GROUP Kalevantie 7 C puh: +358 3 273 711 FI-33100 TAMPERE fax: +358 3 273 7333 FINLAND fax: +358 3 273 7300	Drawn by KNU Drawing number T111. 10 Rev
	Checked by MLU Date 04. 05. 07



Samþykkt þann
25 JAN. 2008
Byggingfulltrúinn í Hafnarfirði
F.h.Sigurbjartur Halldórsson

Ótg.	Nr.	Breytingar	Höfundur	Daga

Verkeigning

Ásvellir 2- Sundmiðstöð Hafnarfjarðar

Strendingur ehf. Verkfæðisgjafi Fjarbergata 13-15 - 224 Hafnarfjarður Sími 565 5640, Fax 565 5641	Burðarþol - Þak Sérteikningar
Höfundur Sigurður Guðmundsson 194063-4599	Daga 08.05. 2007
Samþykkingarfulltrúi J.W.	Talend / Hornaf JW/SG
Málkvarði 1:20	Númer teikningar 283