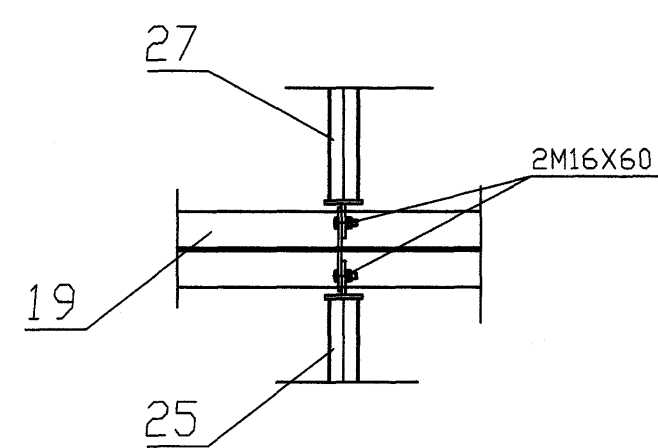
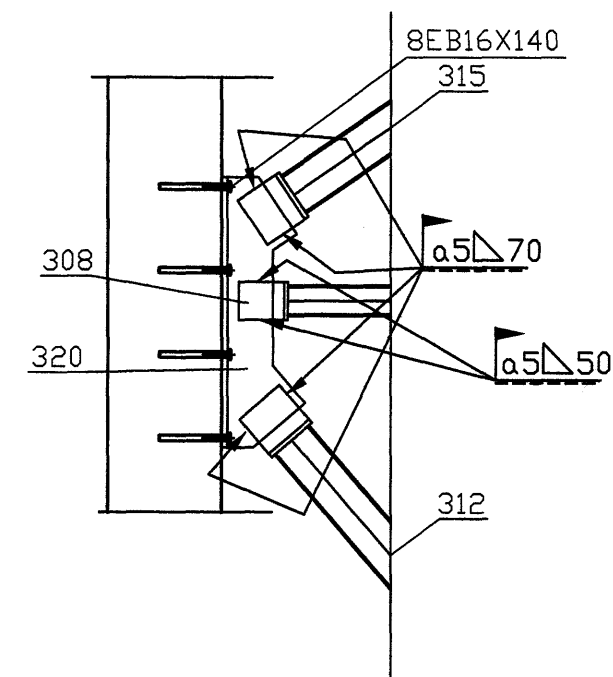


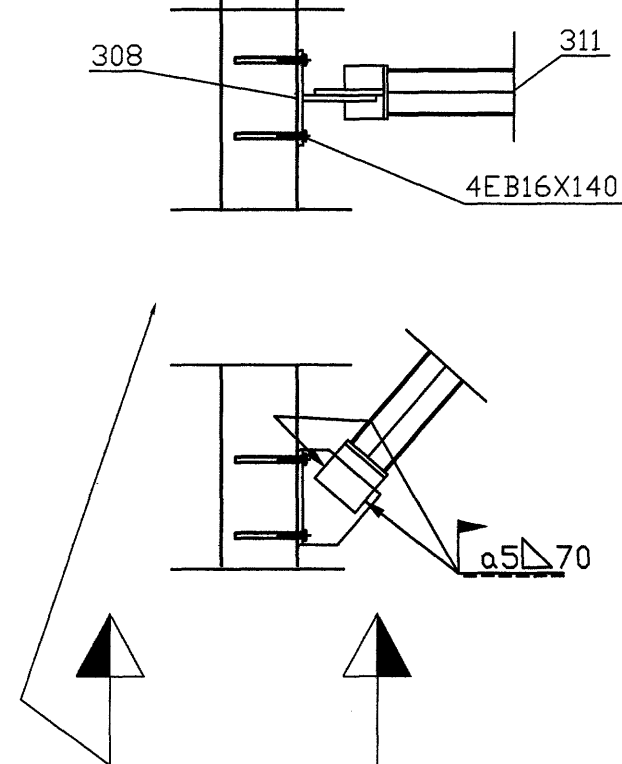
Project SWIMMING POOL, ICELAND		Subject DET12	
ROOF BEAM - CONCRETE WALL		Scale 1:20	
KPM-Engineering <small>FINC GROUP</small> Kalevantie 7 C FI-33100 TAMPERE FINLAND puh: +358 3 273 711 fax: +358 3 273 7333 fax: +358 3 273 7300	Drawn by MLU	Drawing number T117. 10	Rev
	Checked by MLU	Date 4. 5. 07	



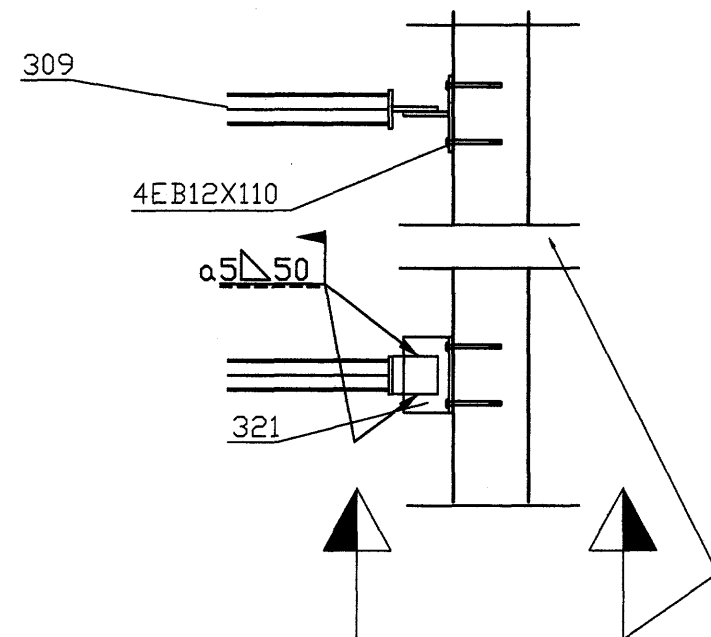
Project SWIMMING POOL, ICELAND		Subject DET13	
ROOF BEAM - CONCRETE WALL		Scale 1:20	
KPM-Engineering <small>FINC GROUP</small> Kalevantie 7 C FI-33100 TAMPERE FINLAND puh: +358 3 273 711 fax: +358 3 273 7333 fax: +358 3 273 7300	Drawn by MLU	Drawing number T117. 10	Rev
	Checked by MLU	Date 4. 5. 07	



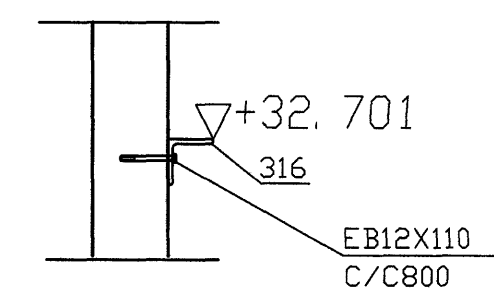
Project SWIMMING POOL, ICELAND		Subject DET14	
ROOF BRACE - CONCRETE WALL		Scale 1:20	
KPM-Engineering <small>FINC GROUP</small> Kalevantie 7 C FI-33100 TAMPERE FINLAND puh: +358 3 273 711 fax: +358 3 273 7333 fax: +358 3 273 7300	Drawn by KNU	Drawing number T111. 10	Rev
	Checked by MLU	Date 04. 05. 07	



Project SWIMMING POOL, ICELAND		Subject DET15	
ROOF BRACE - CONCRETE WALL		Scale 1:20	
KPM-Engineering <small>FINC GROUP</small> Kalevantie 7 C FI-33100 TAMPERE FINLAND puh: +358 3 273 711 fax: +358 3 273 7333 fax: +358 3 273 7300	Drawn by KNU	Drawing number T111. 10	Rev
	Checked by MLU	Date 04. 05. 07	



Project SWIMMING POOL, ICELAND		Subject DET16	
ROOF BRACE - CONCRETE WALL		Scale 1:20	
KPM-Engineering <small>FINC GROUP</small> Kalevantie 7 C FI-33100 TAMPERE FINLAND puh: +358 3 273 711 fax: +358 3 273 7333 fax: +358 3 273 7300	Drawn by KNU	Drawing number T111. 10	Rev
	Checked by MLU	Date 04. 05. 07	



Project SWIMMING POOL, ICELAND		Subject DET17	
ROOF BEAM - CONCRETE WALL		Scale 1:20	
KPM-Engineering <small>FINC GROUP</small> Kalevantie 7 C FI-33100 TAMPERE FINLAND puh: +358 3 273 711 fax: +358 3 273 7333 fax: +358 3 273 7300	Drawn by KNU	Drawing number T111. 10	Rev
	Checked by MLU	Date 04. 05. 07	

Samþykkt þann
25 JAN. 2008
Byggingufulltrúinn í Hafnarfirði
F.Þ. Sigurbjartur Halldórsson

Otg.	Nr.	Breytingar	Hönnuður	Dagur

Verkefninging

Ásvellir 2- Sundmiðstöð Hafnarfjarðar

Strendingur ehf. Verkefnaþjónusta Fjarbergata 13-15 - 220 Hafnarfjörður sími 565 5644, fax 565 5641	Burðarþol - Þak Sérteikningar
Hönnuður Sigurbjartur Halldórsson 191004-7599 Samþykkingarstjóri F. Þ. Sigurbjartur	Daga 08.05. 2007 Tíðni / Hornið af JW/SG Markað 1:20 Símanúmer 282

