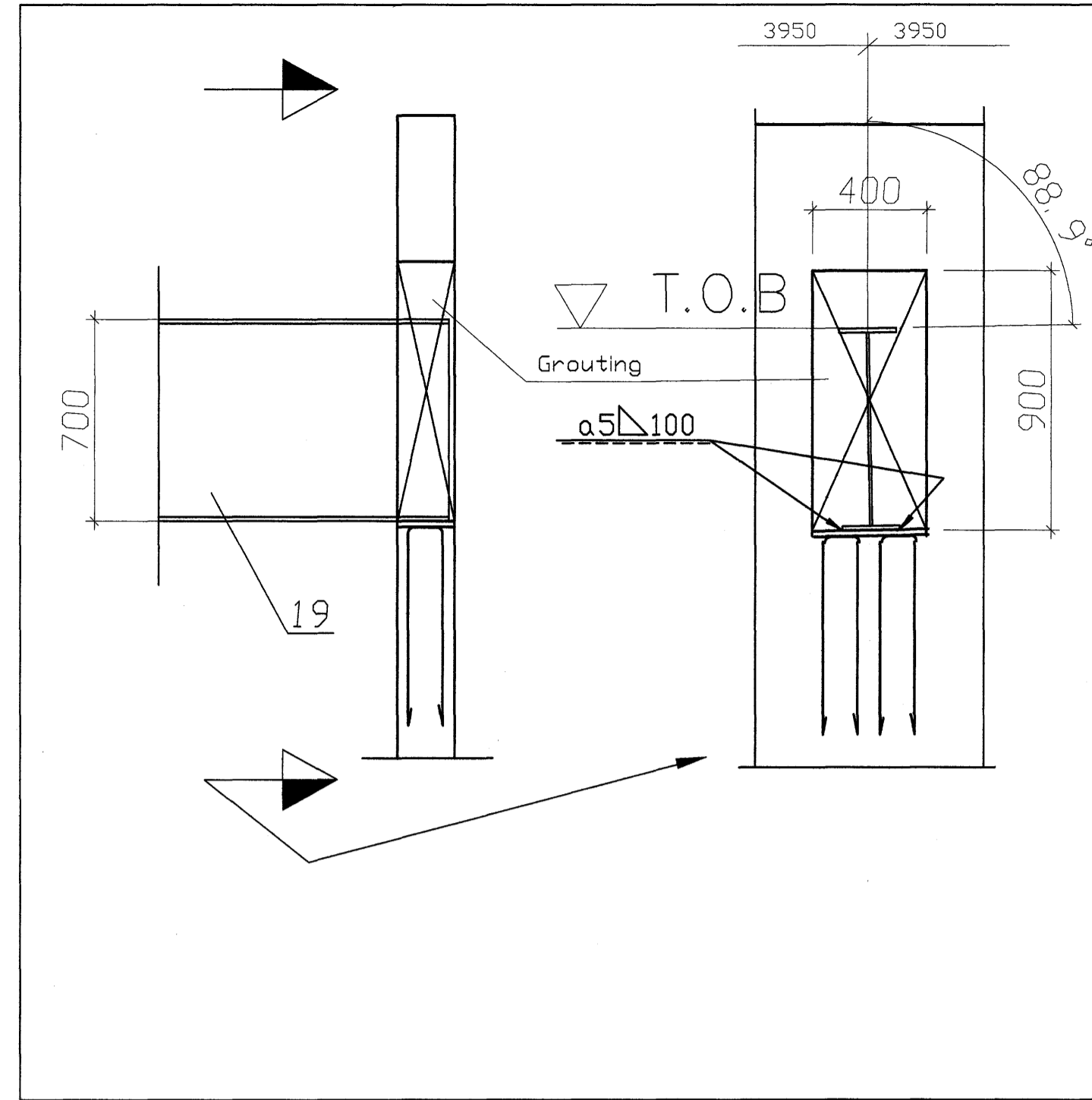
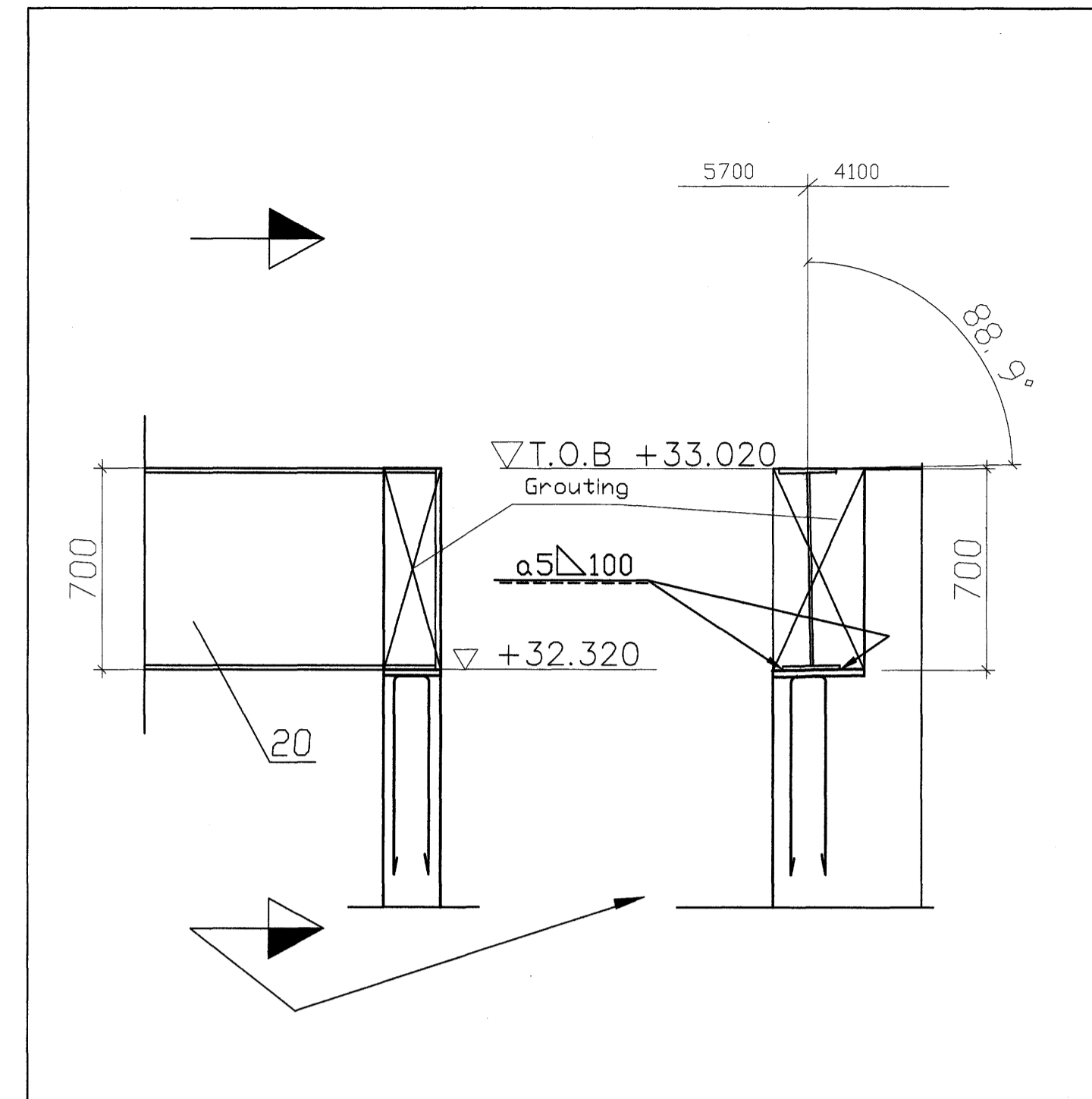


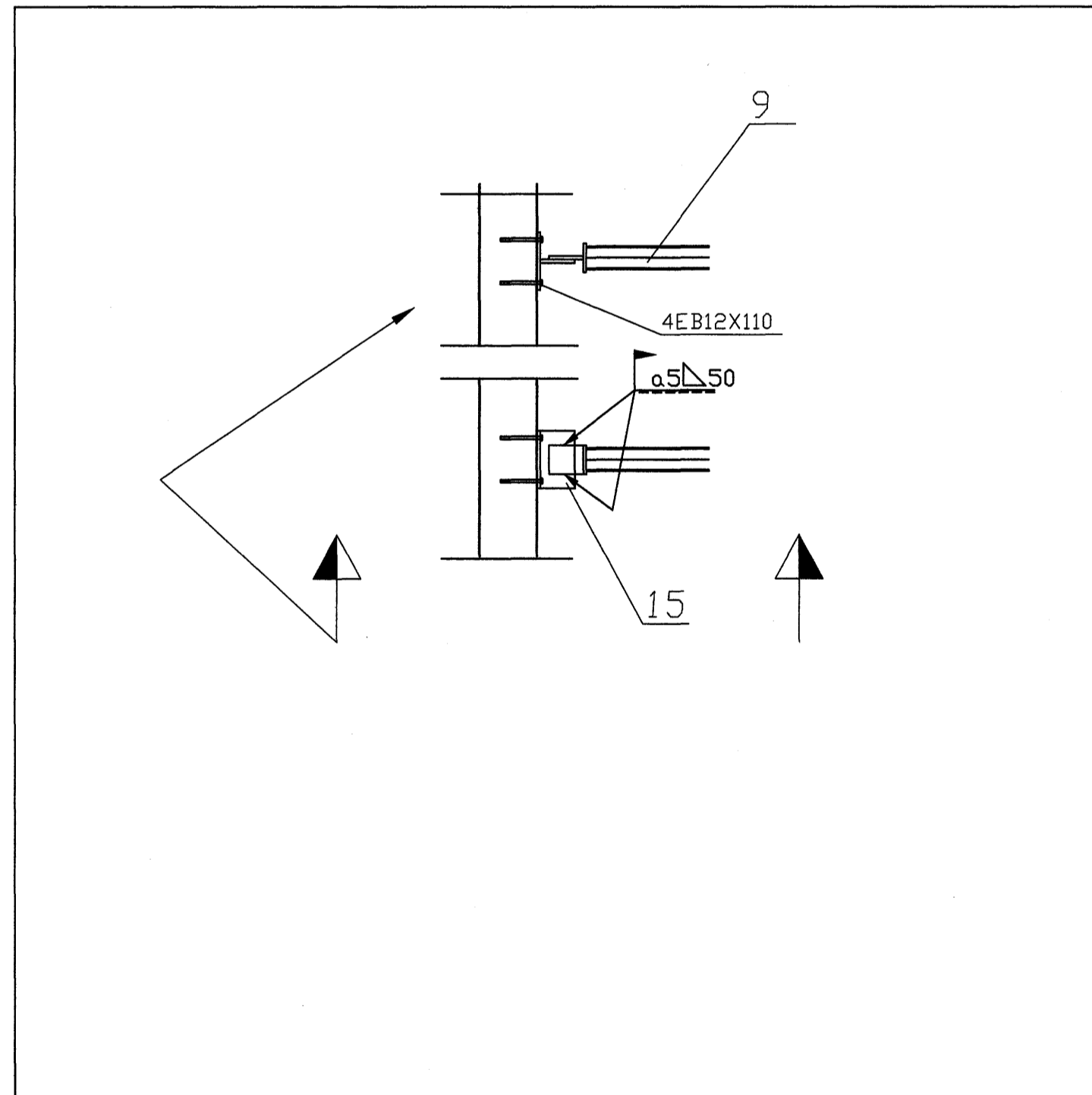
Project SWIMMING POOL, ICELAND		Subject DET6	
ROOF BEAM - CONCRETE WALL		Scale 1:20	
KPM-Engineering <small>FMC GROUP</small> Kalevantie 7 C puh: +358 3 273 711 FI-33100 TAMPERE fax: +358 3 273 7333 FINLAND fax: +358 3 273 7300	Drawn by MLU	Drawing number T117.10	Rev
	Checked by MLU	Date 4. 5. 07	



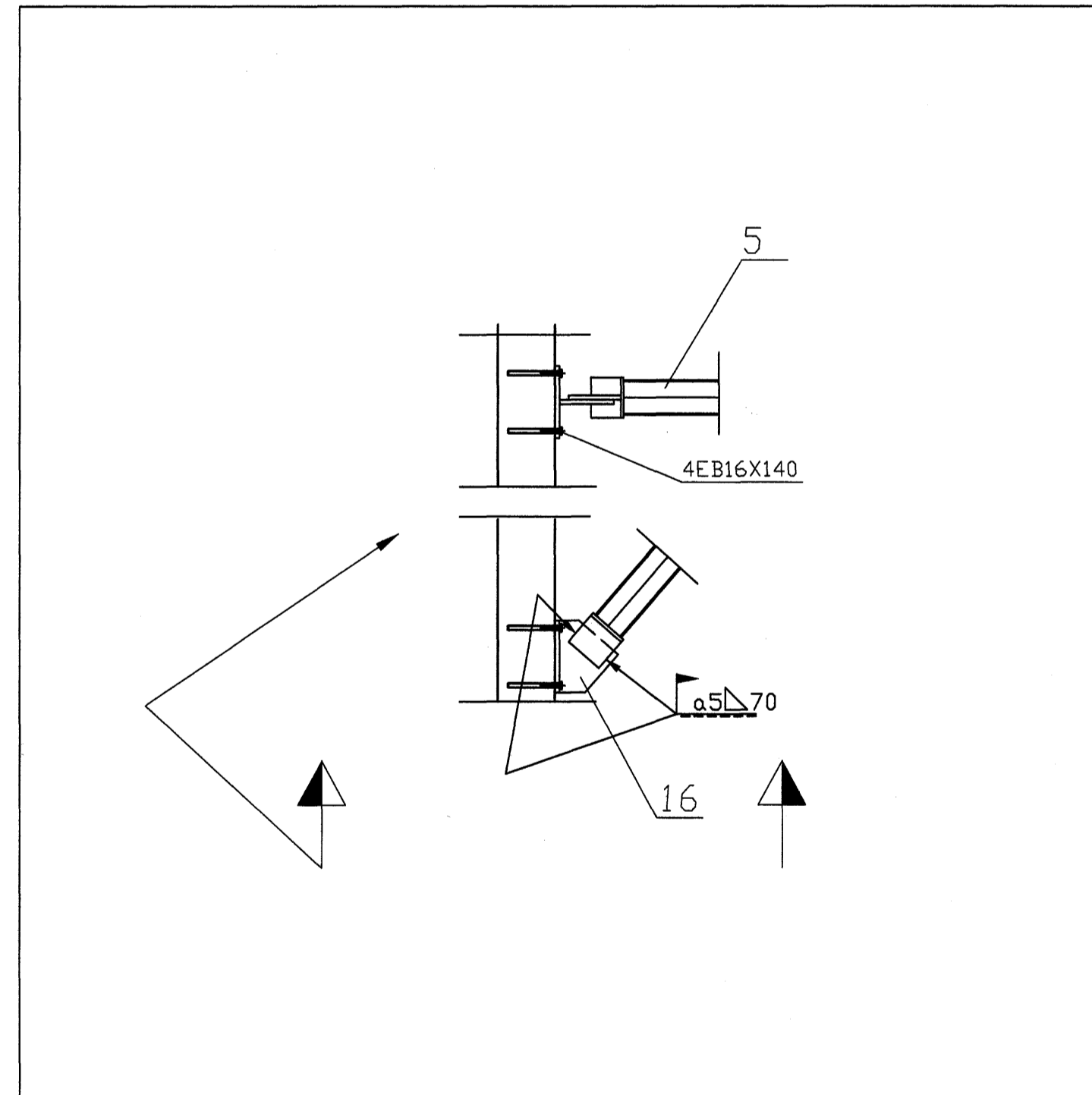
Project SWIMMING POOL, ICELAND		Subject DET7	
ROOF BEAM - CONCRETE WALL		Scale 1:20	
KPM-Engineering <small>FMC GROUP</small> Kalevantie 7 C puh: +358 3 273 711 FI-33100 TAMPERE fax: +358 3 273 7333 FINLAND fax: +358 3 273 7300	Drawn by MLU	Drawing number T117.10	Rev
	Checked by MLU	Date 4. 5. 07	



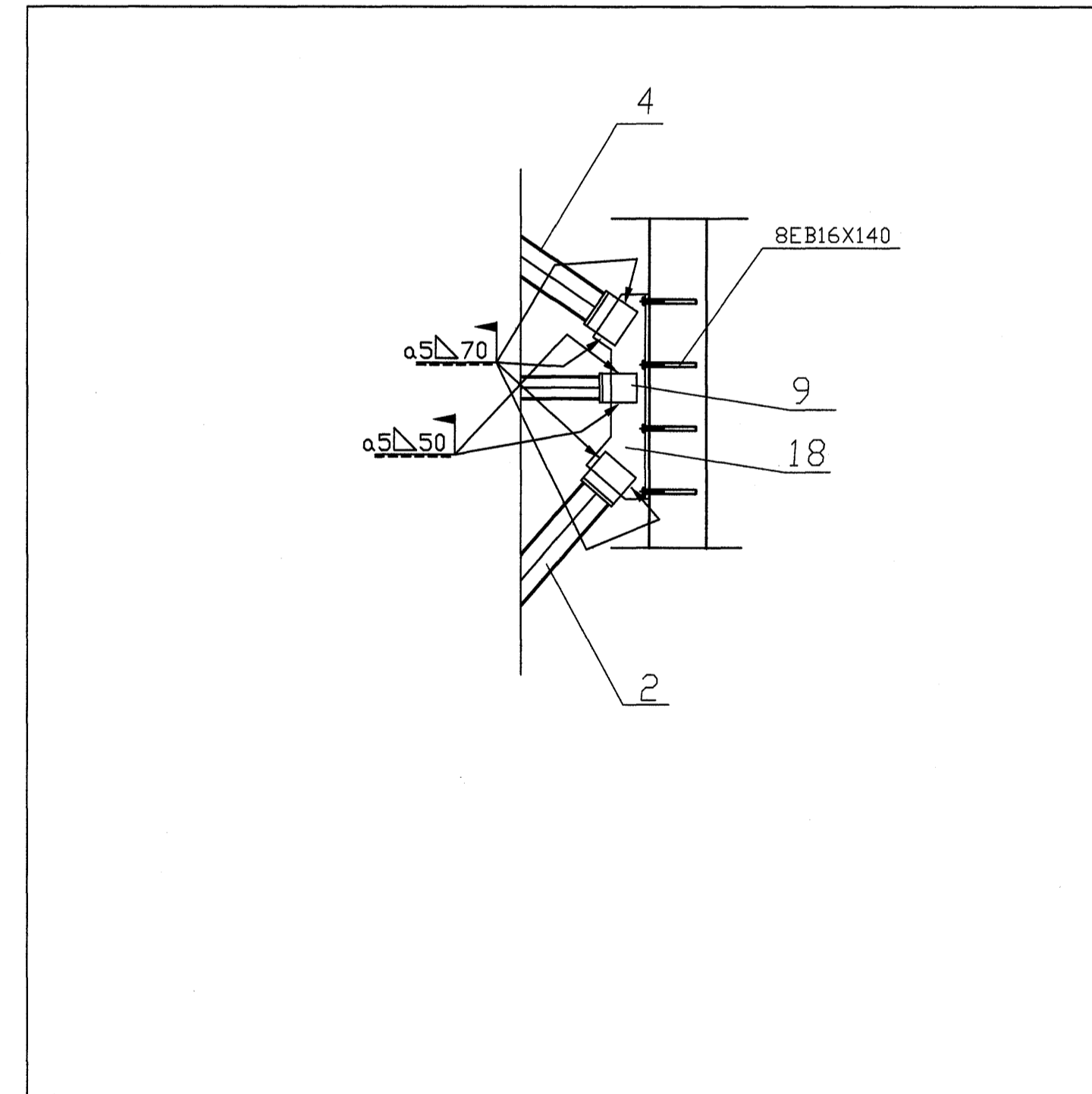
Project SWIMMING POOL, ICELAND		Subject DET8	
ROOF BEAM - CONCRETE WALL		Scale 1:20	
KPM-Engineering <small>FMC GROUP</small> Kalevantie 7 C puh: +358 3 273 711 FI-33100 TAMPERE fax: +358 3 273 7333 FINLAND fax: +358 3 273 7300	Drawn by MLU	Drawing number T117.10	Rev
	Checked by MLU	Date 4. 5. 07	



Project SWIMMING POOL, ICELAND		Subject DET9	
ROOF BEAM - CONCRETE WALL		Scale 1:20	
KPM-Engineering <small>FMC GROUP</small> Kalevantie 7 C puh: +358 3 273 711 FI-33100 TAMPERE fax: +358 3 273 7333 FINLAND fax: +358 3 273 7300	Drawn by MLU	Drawing number T117.10	Rev
	Checked by MLU	Date 4. 5. 07	



Project SWIMMING POOL, ICELAND		Subject DET10	
ROOF BEAM - CONCRETE WALL		Scale 1:20	
KPM-Engineering <small>FMC GROUP</small> Kalevantie 7 C puh: +358 3 273 711 FI-33100 TAMPERE fax: +358 3 273 7333 FINLAND fax: +358 3 273 7300	Drawn by MLU	Drawing number T117.10	Rev
	Checked by MLU	Date 4. 5. 07	



Project SWIMMING POOL, ICELAND		Subject DET11	
ROOF BEAM - CONCRETE WALL		Scale 1:20	
KPM-Engineering <small>FMC GROUP</small> Kalevantie 7 C puh: +358 3 273 711 FI-33100 TAMPERE fax: +358 3 273 7333 FINLAND fax: +358 3 273 7300	Drawn by MLU	Drawing number T117.10	Rev
	Checked by MLU	Date 4. 5. 07	

Samþykkt þann
25 JAN. 2008
Byggingfulltrúinn í Hafnarfirði
F.h. Sigurbjartur Halldórsson

Öt.	Nr.	Breytingar	Hönnuður	Dags

Verkteikning

Ásvellir 2- Sundmiðstöð Hafnarfjarðar

Strendingur ehf.
 Verkfræðipjónuska
 Fjarbergsgata 35-36 • 220 Hafnarfjörður
 sími 565 5644, fax 565 5641
 Hönnuður
 Sigurbjartur Halldórsson 7599
 Samþingingarnúmer

Burðarþol - Þak
 Sérteikningar
 Dags
 08.05. 2007
 Málsvæði
 1:20
 Númer teikningar
 281
 Daga
 Tekniöf / Hornöf of
 JW/SG
 Daga

