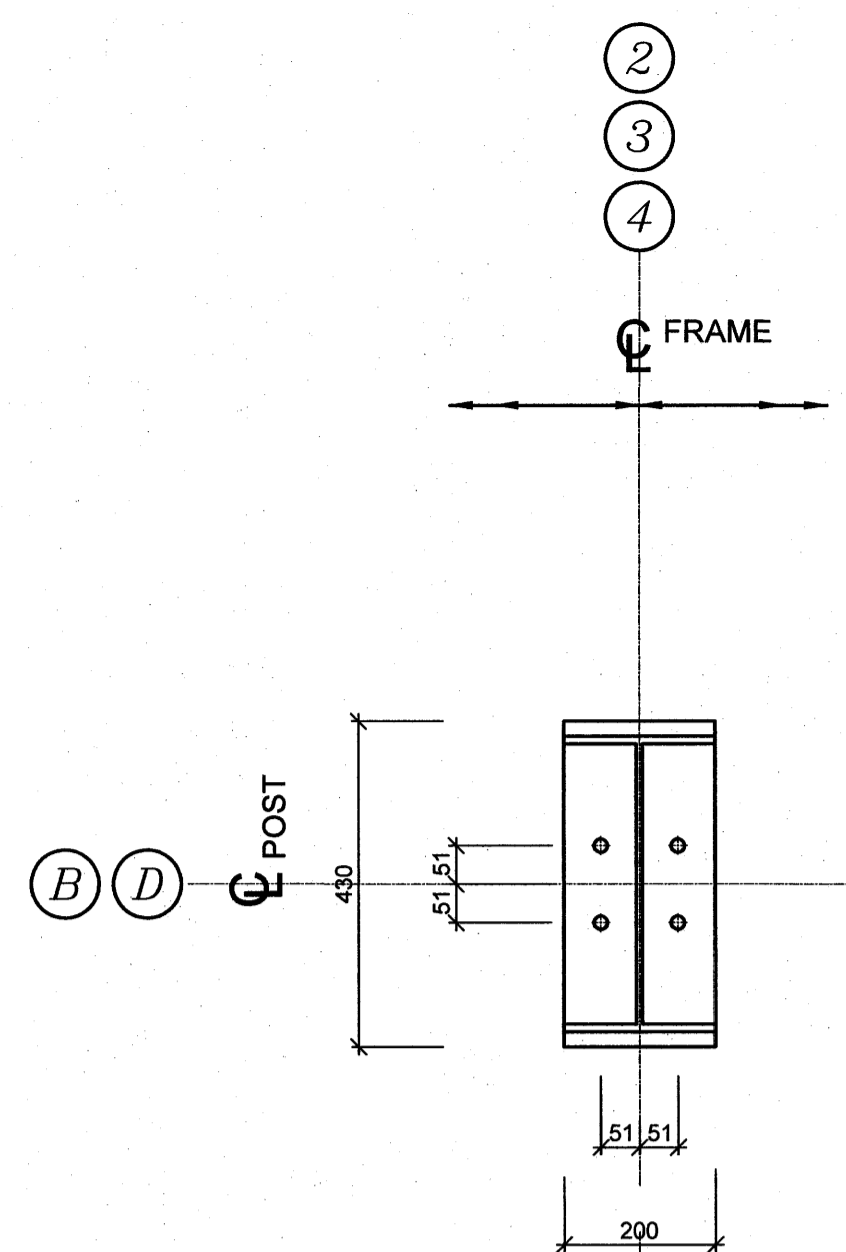
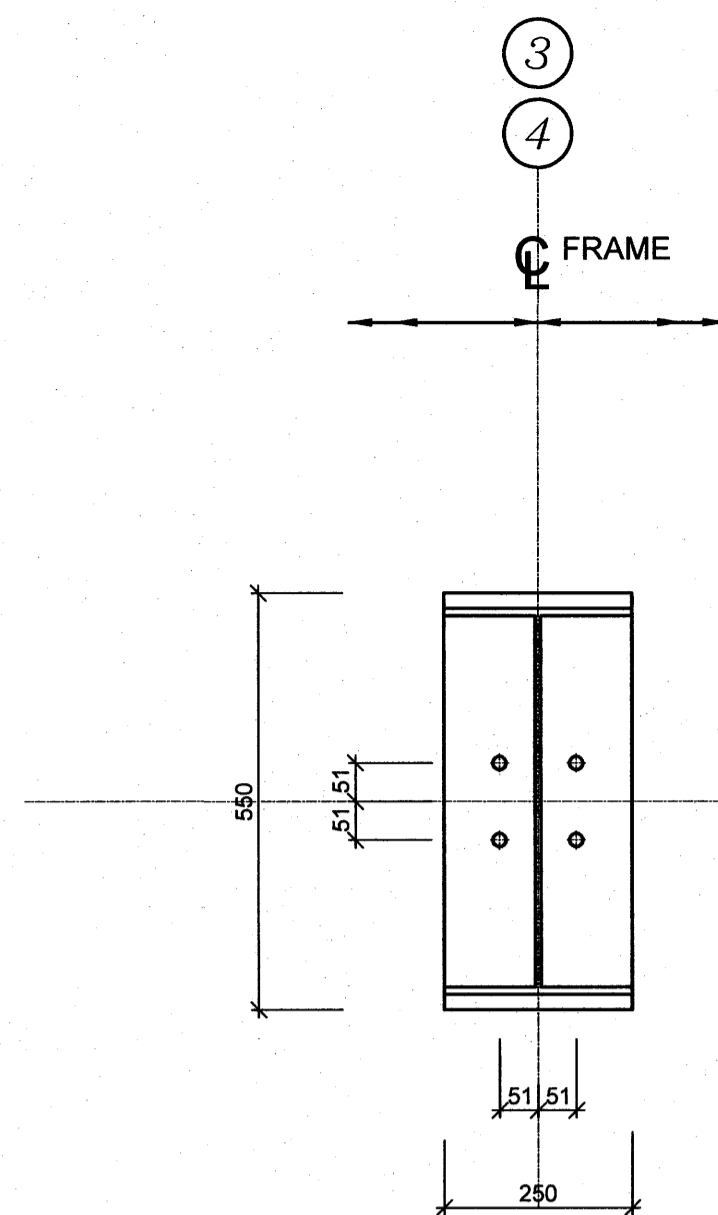


Foundation Detail  
(XA114)



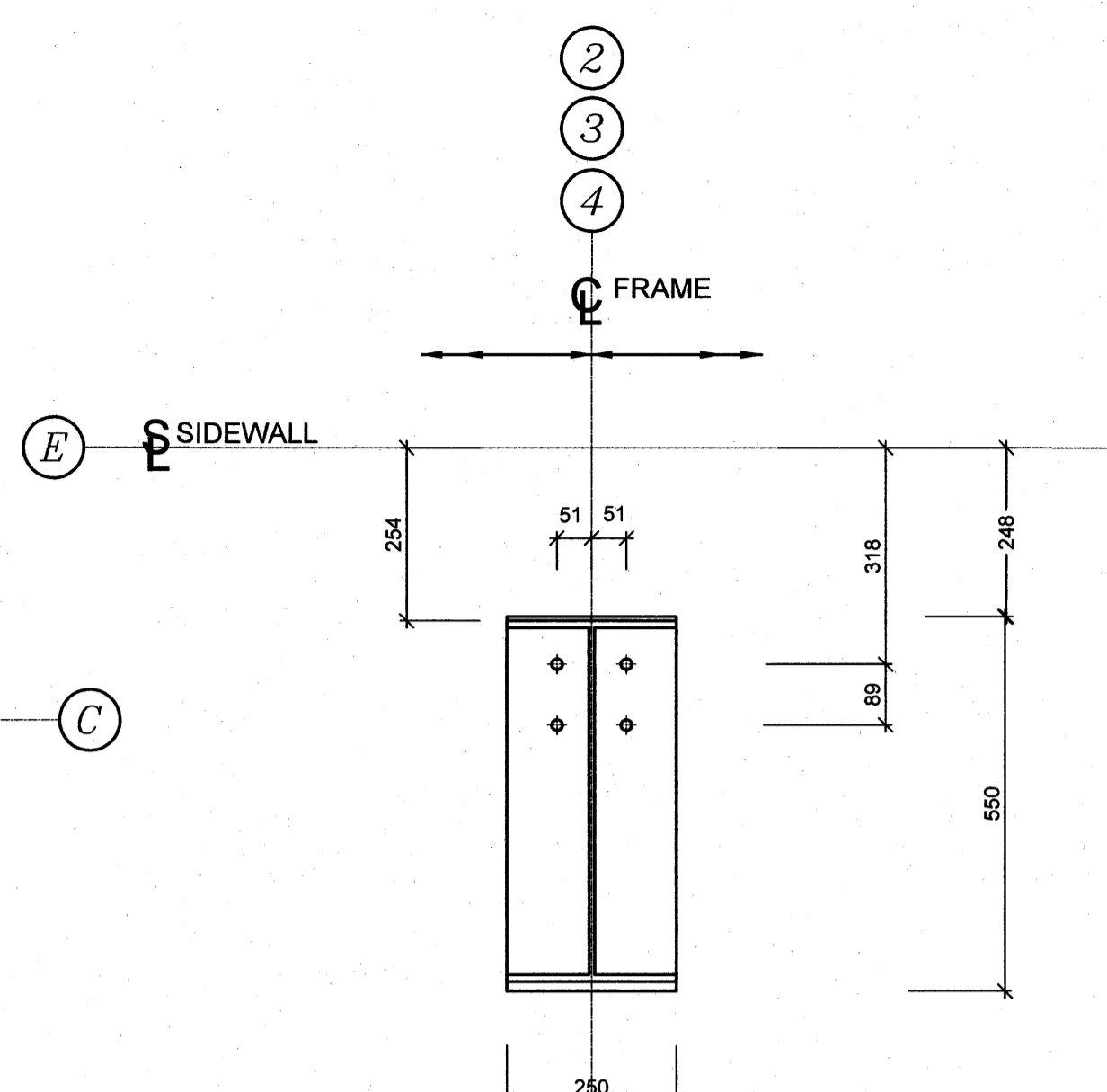
A131-1

4 No. BAM24460  
+ TEMPLATE  
Base plate: 20 mm



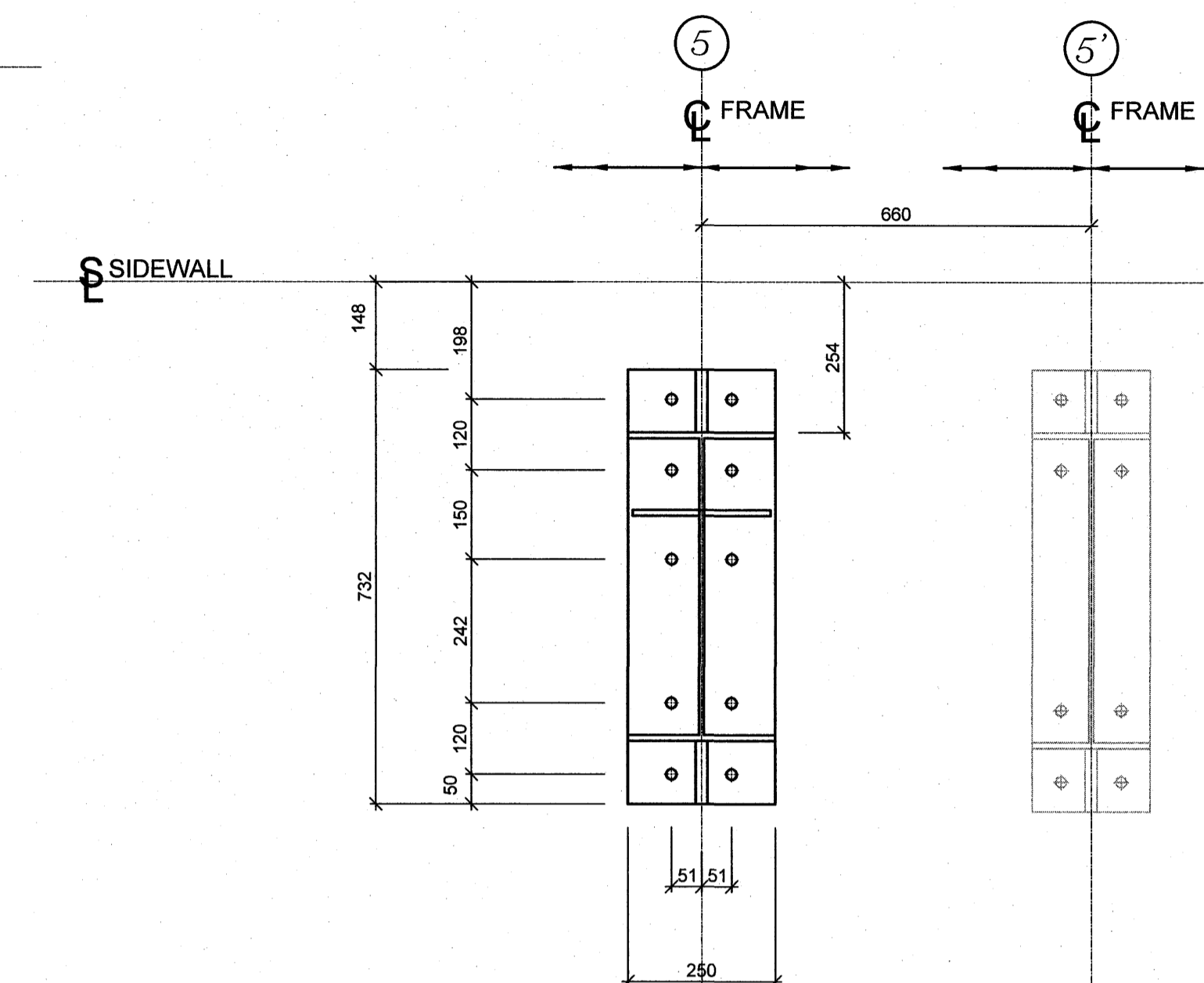
A131-2

4 No. BAM24460  
+ TEMPLATE  
Base plate: 20 mm



A114-4

4 X BAM24460  
+ TEMPLATE  
Base plate: 16 mm

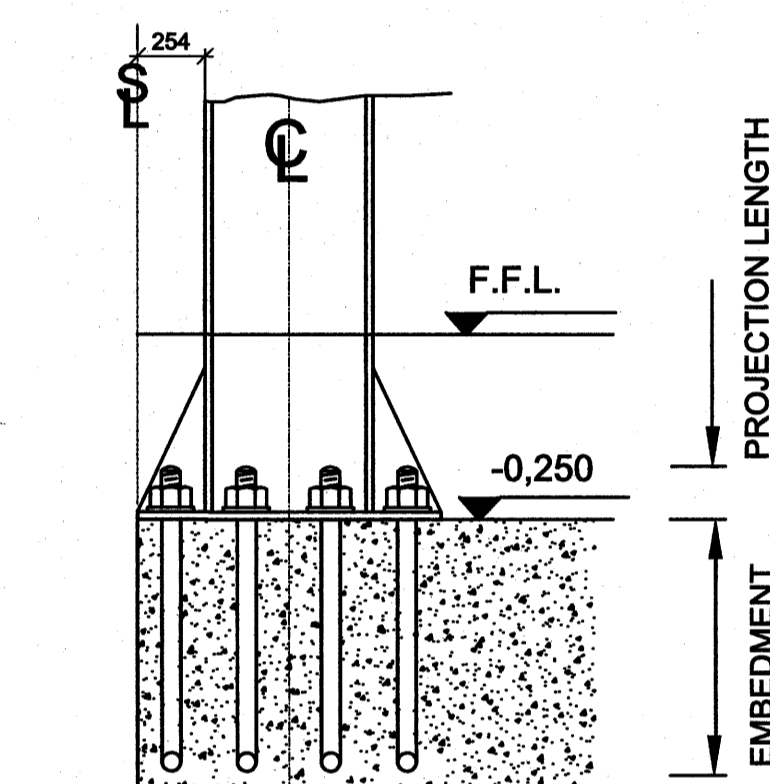


XA115-4

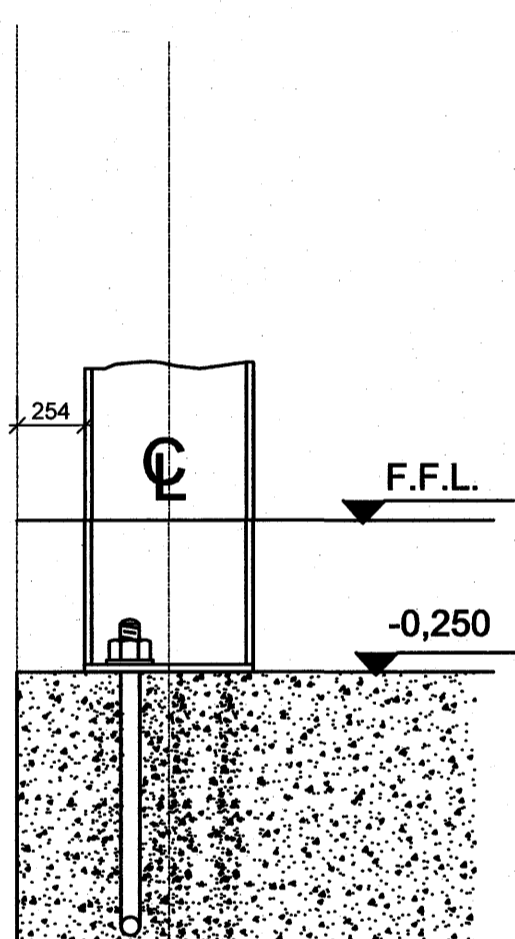
10 No. BAM30610  
+ TEMPLATE  
Base plate: 24 mm

A115-1

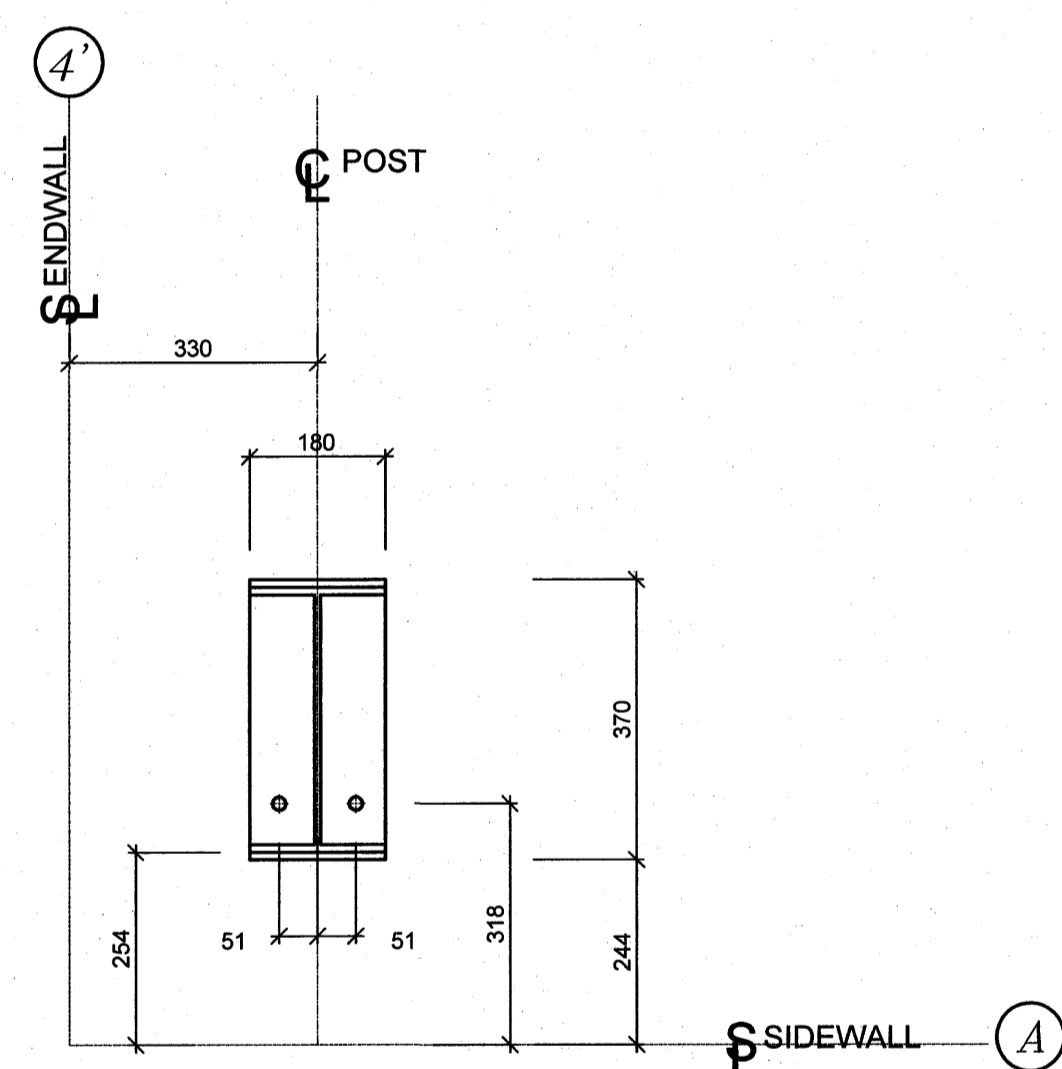
SEE ON DRAWING 002/c!



Foundation Detail  
(X-A115, A115)

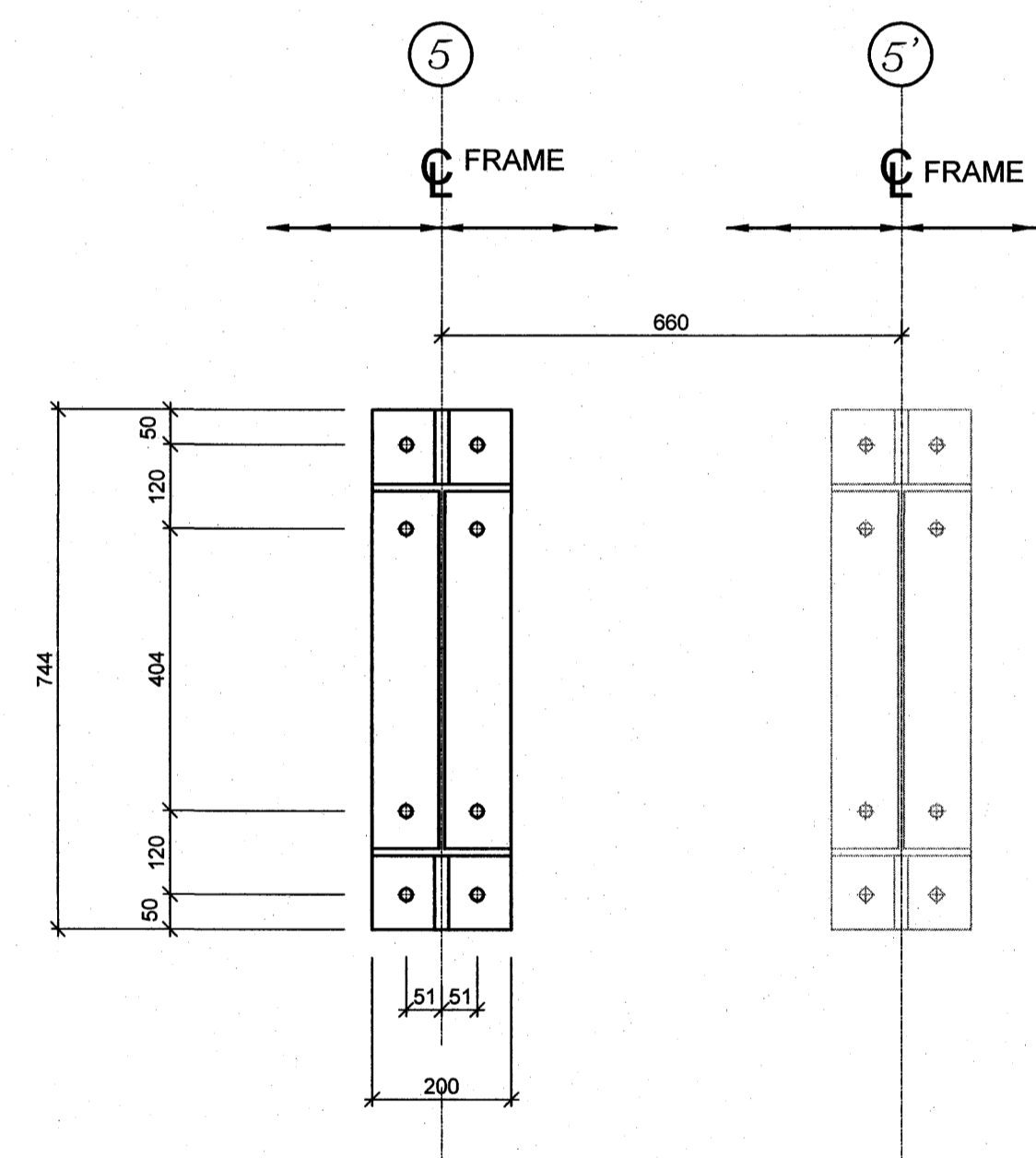


Foundation Detail  
(R164)



R164

2 No. BAM24460  
+ TEMPLATE  
Base plate: 12 mm

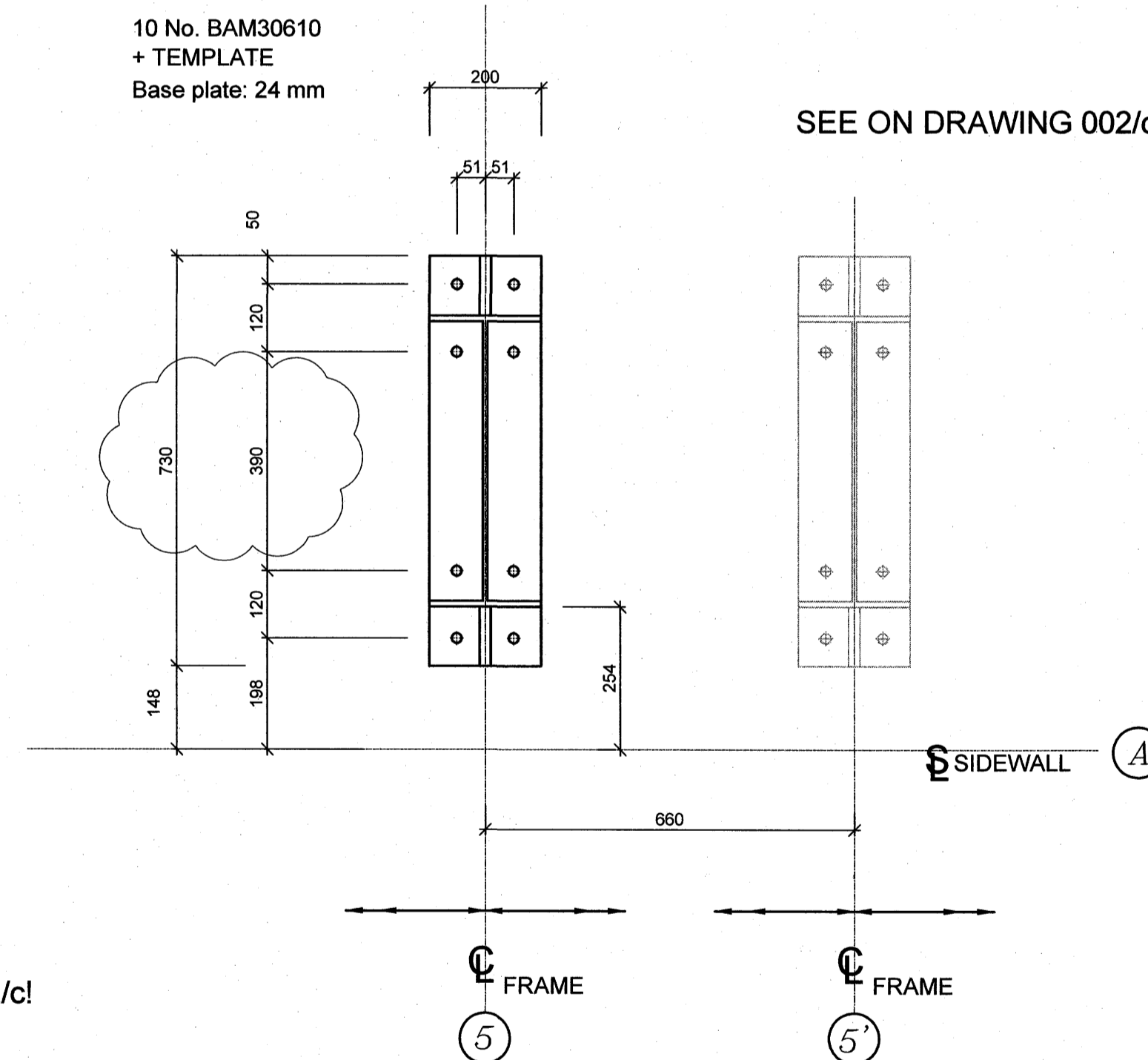


A132-1

8 No. BAM30610  
+ TEMPLATE  
Base plate: 24 mm

A132-1

SEE ON DRAWING 002/c!



A115-1

8 No. BAM30610  
+ TEMPLATE  
Base plate: 24 mm

A115-1

SEE ON DRAWING 002/c!

REV.	DATE	DESCRIPTION	REV. BY
A	07/08/07	NUTS REMOVED	P.A.
B	16/08/07	GENERAL REVISION	P.A.
C	24/08/07	A115-1 DETAIL REVISION	P.A.

### GENERAL NOTES

- ALL DIMENSIONS ARE IN MILLIMETERS.
- GIVE TOP OF FOUNDATION A TROWEL FINISH. FOUNDATION MUST BE SQUARE, LEVEL & SMOOTH.
- ANCHOR BOLTS MUST BE LOCATED BY MEANS OF A TEMPLATE. DO NOT HAND SET ANCHOR BOLTS
- NOTES STEEL LINE WHICH IS THE EXTERIOR FACE OF THE STRUCTURALS FROM WHICH ALL ANCHOR BOLTS ARE LOCATED.
- MAXIMUM ALLOWABLE FOUNDATION TOLERANCE IS  $\pm 3$ mm IN PLAN & ELEVATION.
- FOR FRAME REACTIONS SEE DESIGN CALCULATIONS.
- ALL CONCRETE TO HAVE A MINIMUM CUBE STRENGTH OF 20 N/mm AFTER 28 DAYS.
- IT IS THE RESPONSIBILITY OF THE BUILDER TO ENSURE THAT ANCHOR BOLT ARE PROTECTED AGAINST ANY KIND OF DAMAGE, INCLUDING CORROSION, UNTIL THE STEELWORK ERECTION IS COMPLETE.

### FOUNDATIONS AND ANCHOR BOLTS

- Foundations must be designed by a qualified foundation engineer.
- Lindab Buildings has calculated the diameter and the number of anchor bolts required at each column location based on the column reactions and the mechanical properties of the steel from which the anchor bolts are produced.
- It is the responsibility of the foundation engineer to verify that the anchor bolt details, embedment length and the placement of steel reinforcement in the concrete is adequate to transfer the column loads to the foundation.
- Lindab Buildings assumes no responsibility for verifying the adequacy of the foundation design.

### ATTENTION

The complete building must be erected according to the erection documents and manuals as provided by Lindab Buildings and all applicable local codes and standards. Moreover, we draw your attention to the points below as they are most critical for the building stability:

- Position of the anchor bolts.
- Fastening of the anchor bolts nuts, once the columns are placed.

### SEE FURTHER DETAILS ON DRAWING NO. 002/a, 003/c !

STEEL QUALITY OF ANCHOR BOLTS IS S355 J2 G3 (YIELD POINT 355 N/mm <sup>2</sup> )							
ANCHOR BOLT DIMENSIONS				ANCHOR BOLT DIMENSIONS			
PN	DIAM	L	H	PN	DIAM	L	H
BAM18380	18	380	50	BY 00001	2x18	500	40
BAM24460	24	460	80	BY 80105	2x24	500	60
BAM30610	30	610	100				

This design is property of Lindab Buildings Systems Ltd. Copying and manufacturing components according to these drawings or calculations is illegal.

Verkfærðistofa Hauks Ásgeirssonar e.h.f.  
Dalvegur 18, 201 Kópavogur  
Sími 534-8815 Farsími 897-8132  
e-mail: haukurag@simnet.is  
Kennitala: 560600-3050

Hannad: H.A. Talknad: H.A. Samþykkt: Kennitala: 30255-UG24

**SELHELLA 3**  
HAFNARFIRÐI  
BURÐARVIRKI  
STÁLFASTINGAR VIÐ SÖKKUL

Miv. 1:20  
Teikn. nr. 2-0.5  
Verk nr. 200  
Skýringar nr.: 2110  
Útgáfa Dags. AG 07