

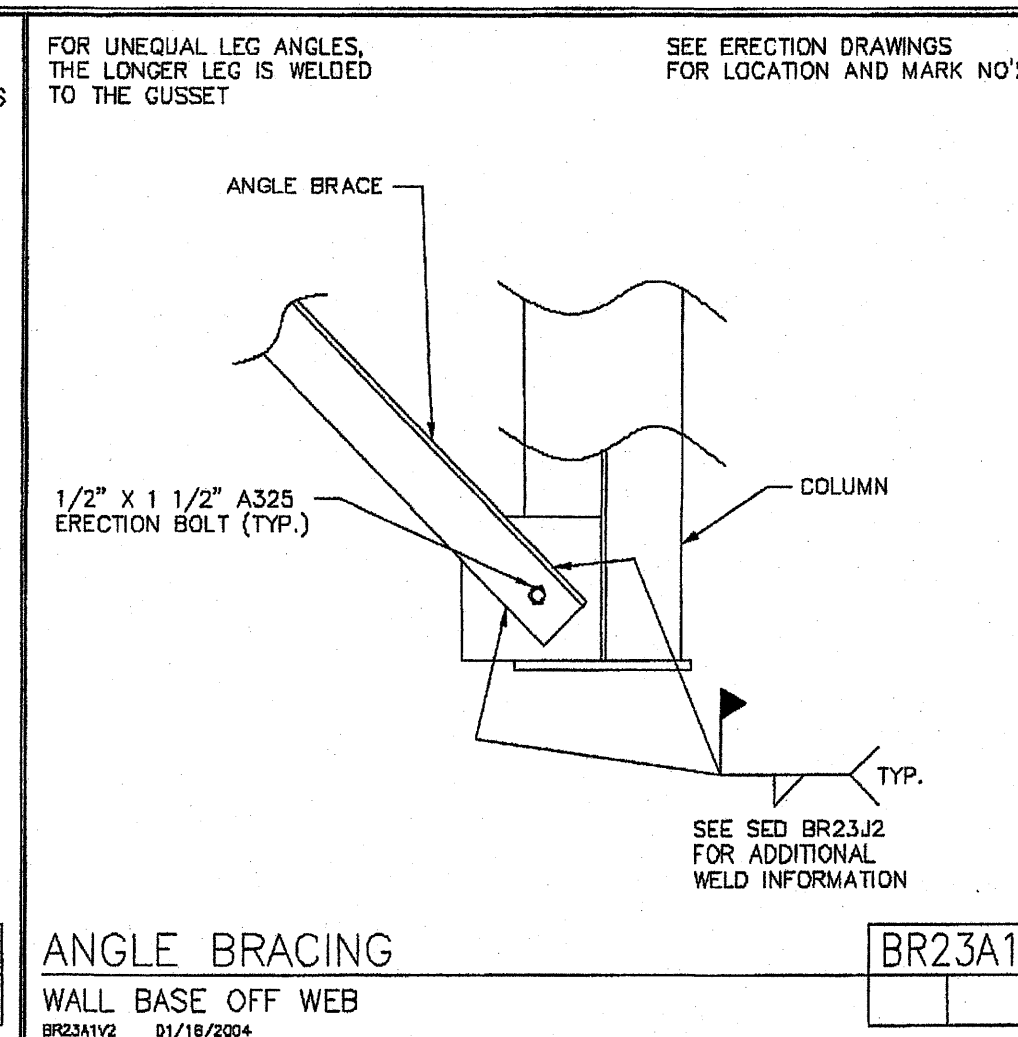
NOTE: ALL FIELD WELDING SHALL BE DONE IN COMPLIANCE WITH AWS PROCEDURES BY WELDERS QUALIFIED TO PERFORM THE WELD AS DIRECTED BY THE ASSOCIATED WELDING PROCEDURE SPECIFICATION (WPS). A WPS SHALL BE PREPARED BY THE CONTRACTOR FOR EACH WELDING VARIATION SPECIFIED, AS REQUIRED BY CODE. USE E70XX ELECTRODES. THE CONTRACTOR SHALL PROVIDE FOR ANY CODE SPECIFIED SPECIAL INSPECTIONS.

NOTE: IF THE MINIMUM WELD LENGTH CANNOT BE ACHIEVED, CONTACT VP BUILDINGS FOR EVALUATION.

NOTE: "TOTAL MINIMUM WELD LENGTH" IS THE SUM OF THE WELD LENGTH ON EACH SIDE OF THE ANGLE

ANGLE SIZE	MINIMUM WELD SIZE REQUIRED	TOTAL MINIMUM LENGTH REQUIRED
2" x 2" x 3/16"	3/16"	8"
3" x 2" x 3/16"	3/16"	12"
2" x 2" x 1/4"	3/16"	10"
3" x 3" x 3/16"	3/16"	12"
3" x 2" x 1/4"	3/16"	14"
3" x 3" x 1/4"	3/16"	16"
3" x 2" x 5/16"	1/4"	12"
3" x 2" x 3/8"	5/16"	12"
3" x 3" x 5/16"	1/4"	14"
4" x 4" x 1/4"	3/16"	20"
3" x 3" x 3/8"	5/16"	14"
4" x 4" x 5/16"	1/4"	20"
4" x 4" x 3/8"	5/16"	18"

ANGLE BRACING WELD SIZES
BR23J2
8/23/2004



Samþykkt þann
23 JAN. 2008
Byggingulfrúnn í Hafnarfirði
F.h. Sigurbjartur Halldórsson
EYKT
26 OCT 2007
MOTTEKID

VSÓ RÁÐGJÖF
Þetta á uppdrátt þennan ábyrgist VSÓ Ráðgjöf ehf.
Símanúmer 272-0979, að hönnun sé faglega unnin og í samræmi við íög og reglugerðir um byggingarmál.

Dags. _____ Nafn _____ Kennitala _____

Norðurbella 2 - 221 Hafnarfjörður

FOR CONSTRUCTION

THE VP ENGINEER'S SEAL APPLIES ONLY TO THE WORK PRODUCT OF VP AND DESIGN AND PERFORMANCE REQUIREMENTS SPECIFIED BY VP. THE VP ENGINEER'S SEAL DOES NOT APPLY TO THE PERFORMANCE OR DESIGN OF ANY OTHER PRODUCT OR COMPONENT FURNISHED BY VP EXCEPT TO ANY DESIGN OR PERFORMANCE REQUIREMENTS SPECIFIED BY VP.

THIS DRAWING, INCLUDING THE INFORMATION HEREON, REMAINS THE PROPERTY OF VP BUILDINGS. IT IS PROVIDED SOLELY FOR ERECTING THE BUILDING DESCRIBED IN THE APPLICABLE PURCHASE ORDER AND SHALL NOT BE MODIFIED, REPRODUCED OR USED FOR ANY OTHER PURPOSE WITHOUT PRIOR WRITTEN APPROVAL OF VP BUILDINGS.

THE GENERAL CONTRACTOR AND/OR ERECTOR IS SOLELY RESPONSIBLE FOR ACCURATE, GOOD QUALITY WORKMANSHIP IN ERECTING THIS BUILDING IN CONFORMANCE WITH THIS DRAWING, DETAILS REFERENCED IN THIS DRAWING, ALL APPLICABLE VP ERECTION GUIDES, AND INDUSTRY STANDARDS PERTAINING TO PROPER ERECTION, INCLUDING THE CORRECT USE OF TEMPORARY BRACING.

VP Buildings, Inc.
3200 Players Club Circle Memphis TN 38125

REV	DATE	BY	DESCRIPTION

NTS

BUILDING SED'S
Norðurbella 2 - Hafnarfirði
Stálgrind, festingar
Sérmyndir
Bl. nr. 69

VP BUILDINGS
VARCO-FRUDEN
VP VERSION: 6.0a

JOBNO 07-4487
DATE 08/09/07
DRAWINGCHECK DJS DJS
PAGE 69