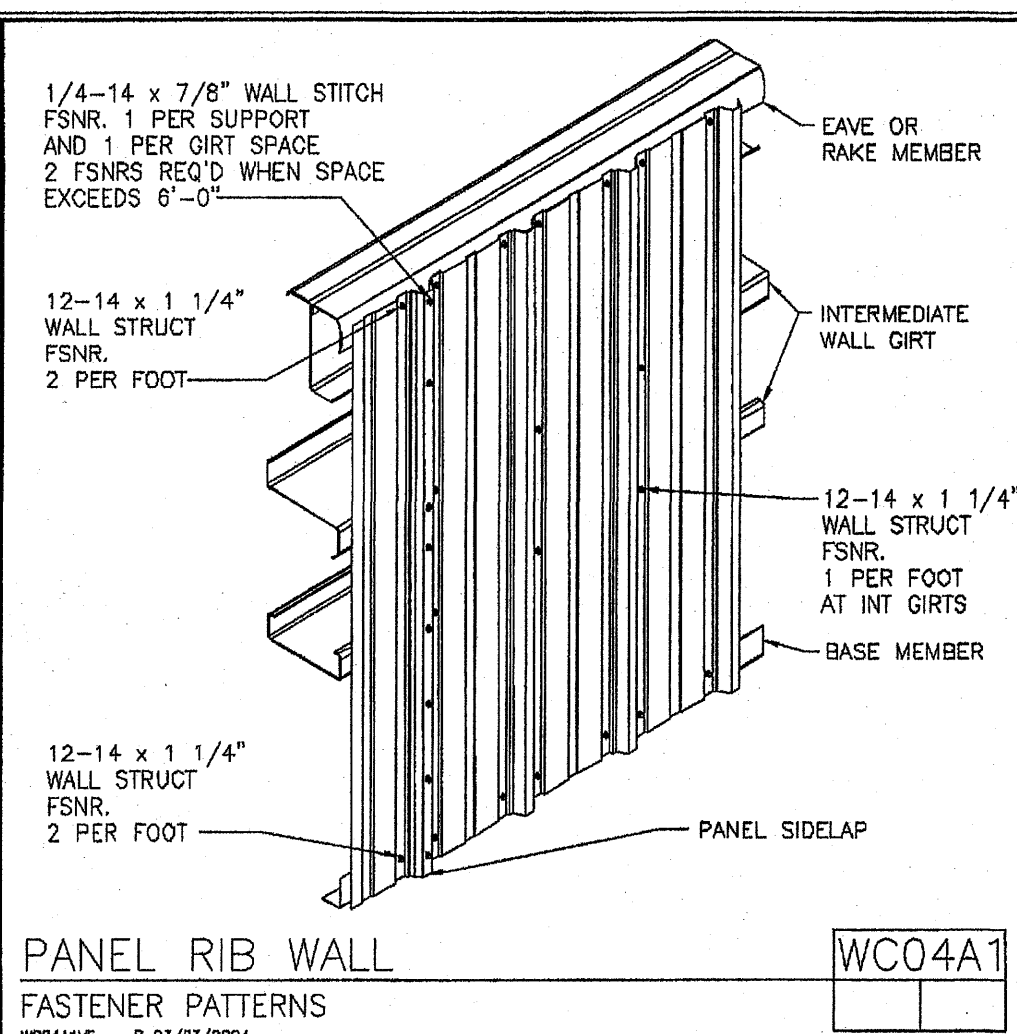
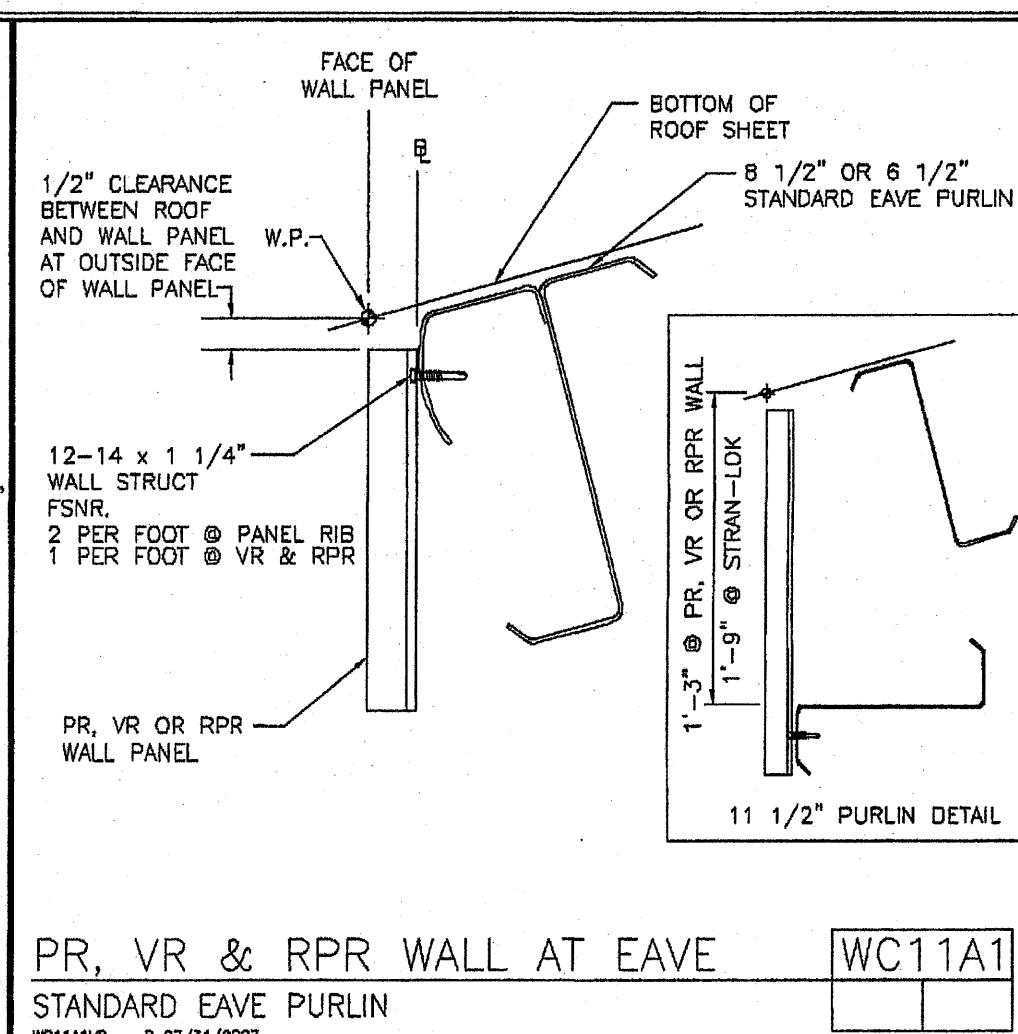


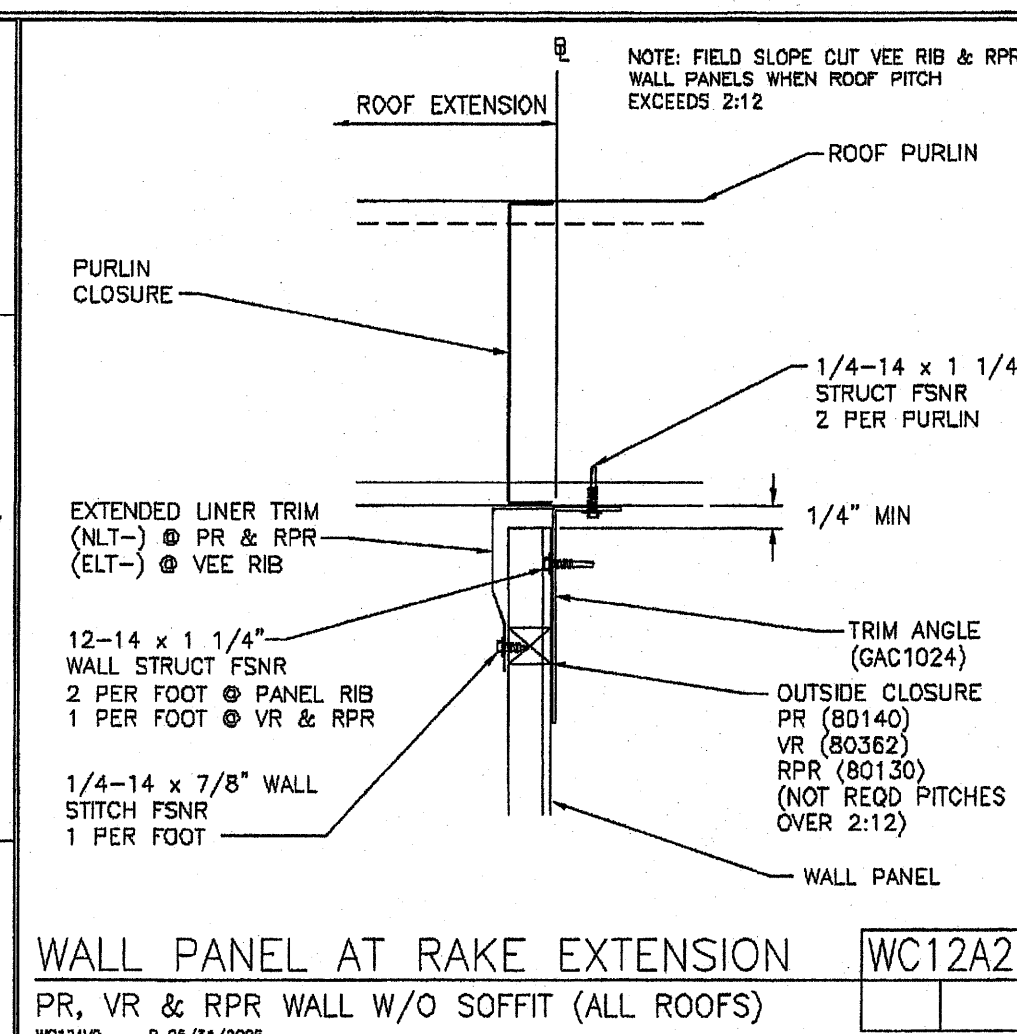
BASE OF WALL ATTACHMENT WCO1A8
PR, VR OR RPR AT PARTITION
WCO1A8A R 03/23/2004



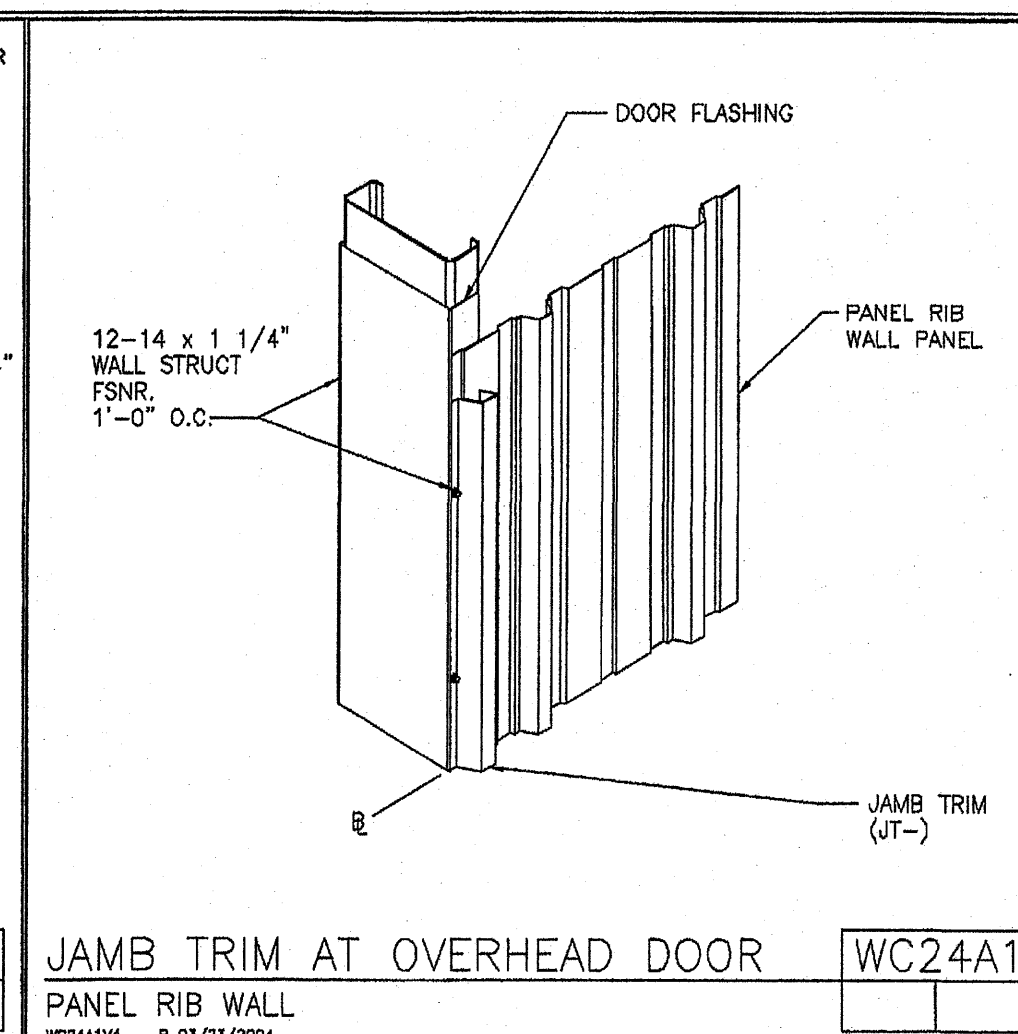
PANEL RIB WALL FASTENER PATTERNS WCO4A1
WCO4A1A R 03/23/2004



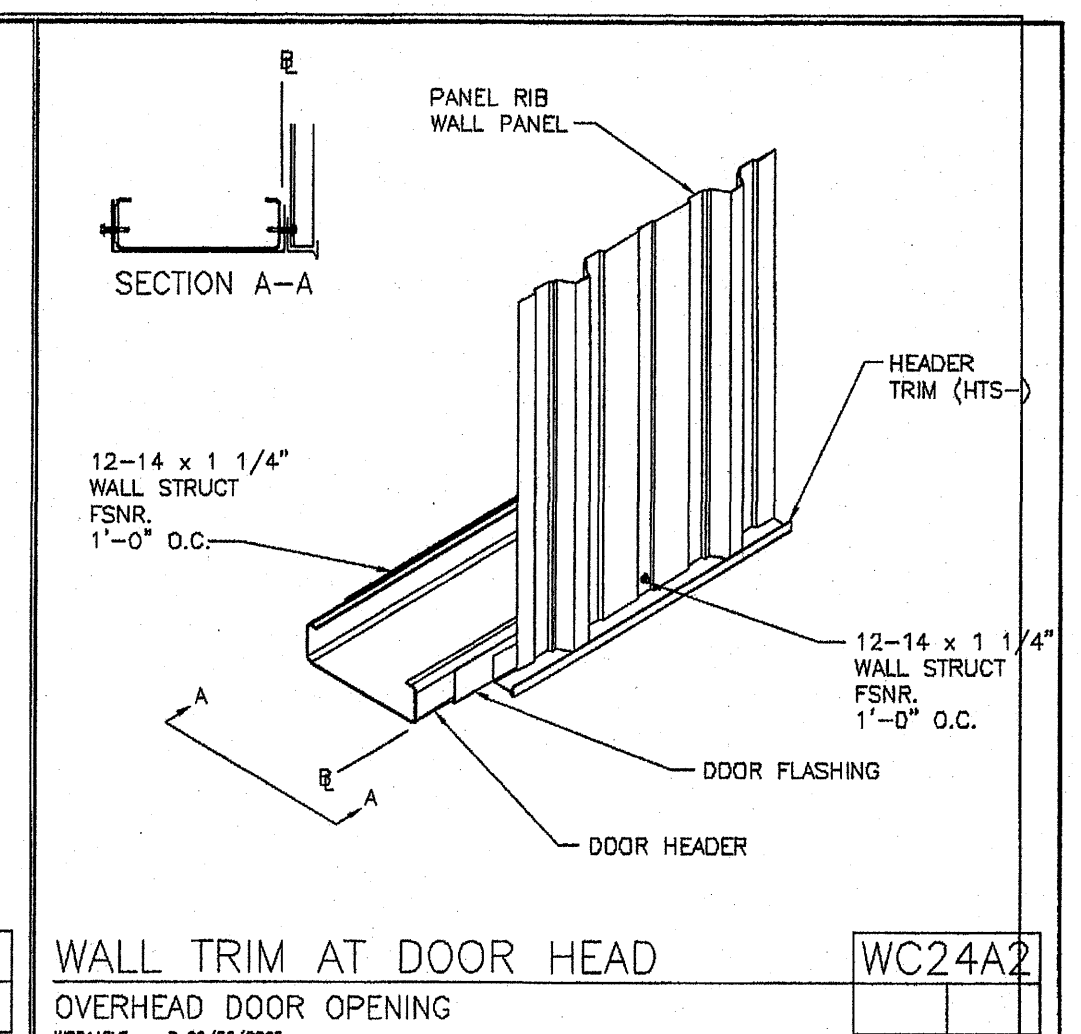
PR, VR & RPR WALL AT EAVE STANDARD EAVE PURLIN WCO11A1
WCO11A1A R 03/21/2007



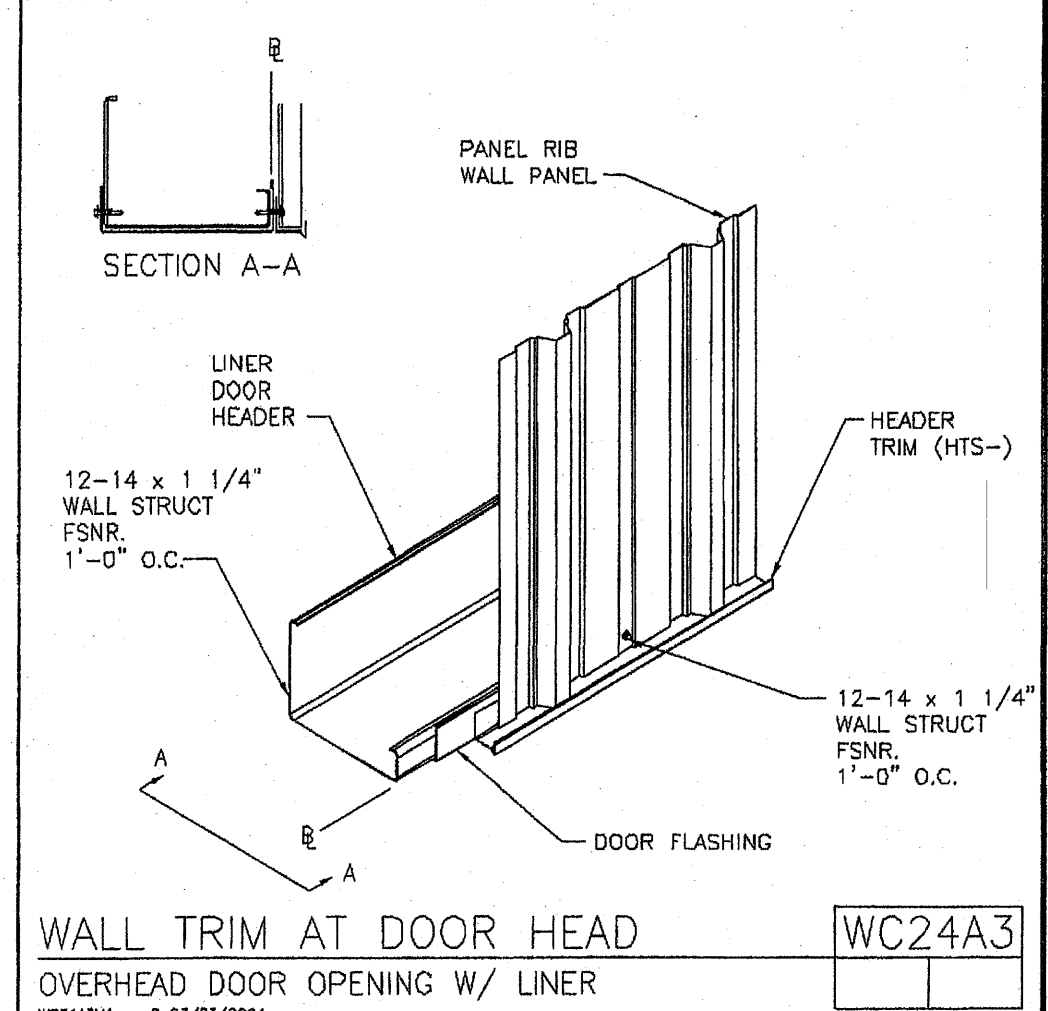
WALL PANEL AT RAKE EXTENSION WCO12A2
PR, VR & RPR WALL W/O SOFFIT (ALL ROOFS)
WCO12A2A R 03/21/2005



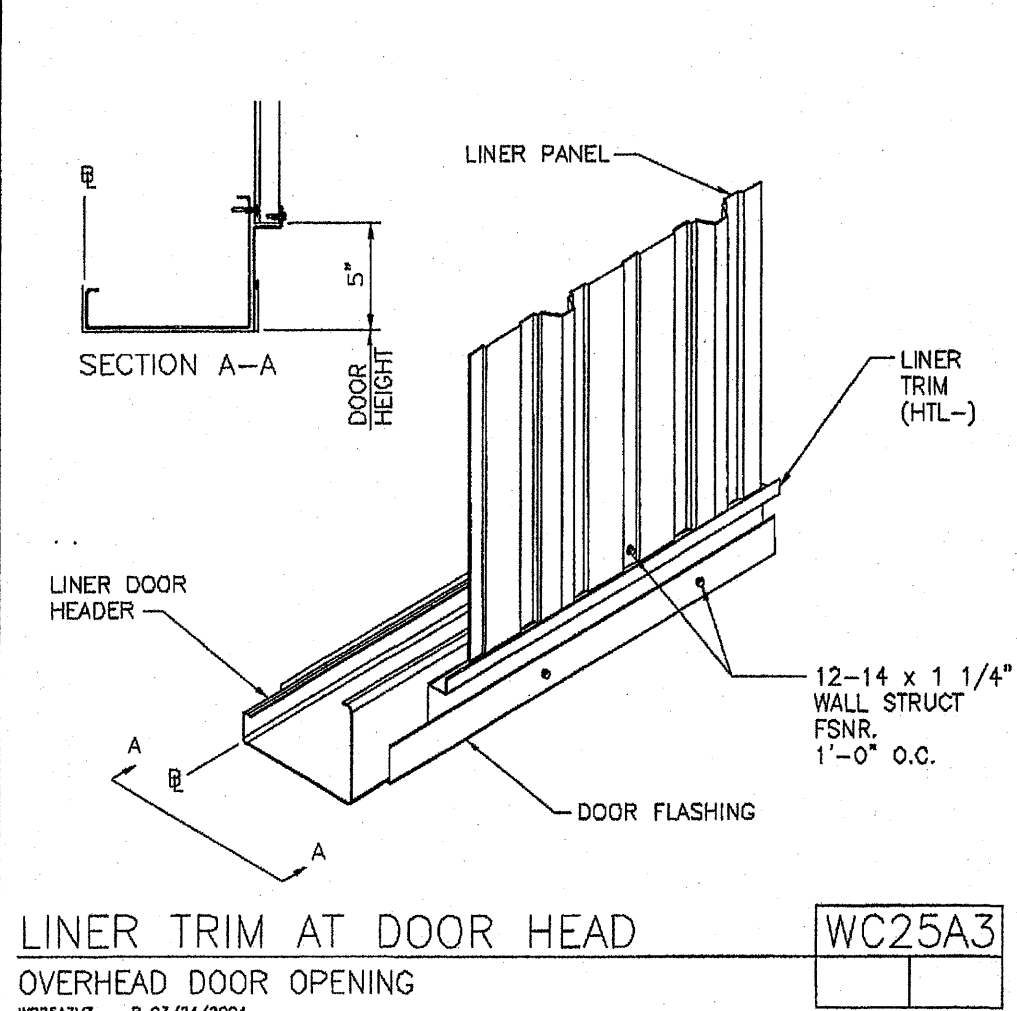
JAMB TRIM AT OVERHEAD DOOR WCO24A1
PANEL RIB WALL
WCO24A1A R 03/23/2004



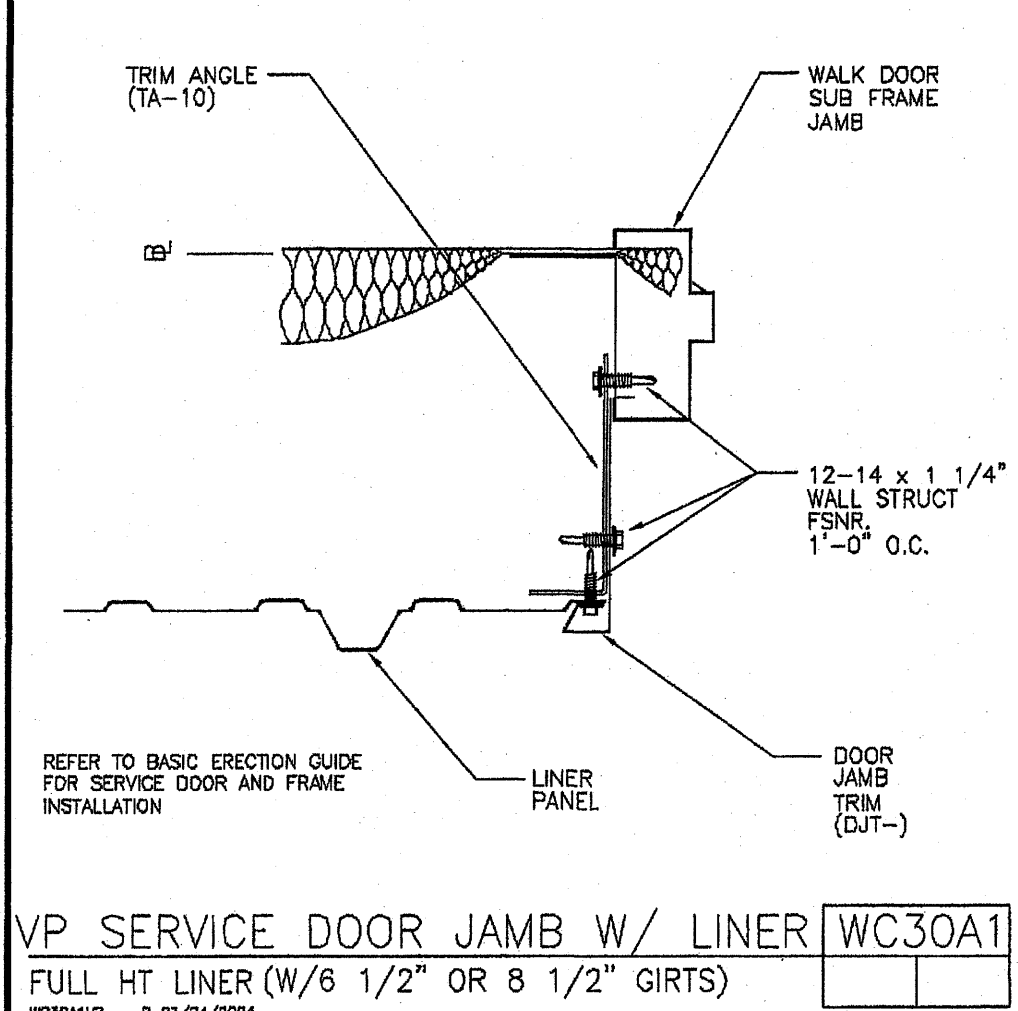
WALL TRIM AT DOOR HEAD OVERHEAD DOOR OPENING WCO24A2
WCO24A2A R 03/23/2004



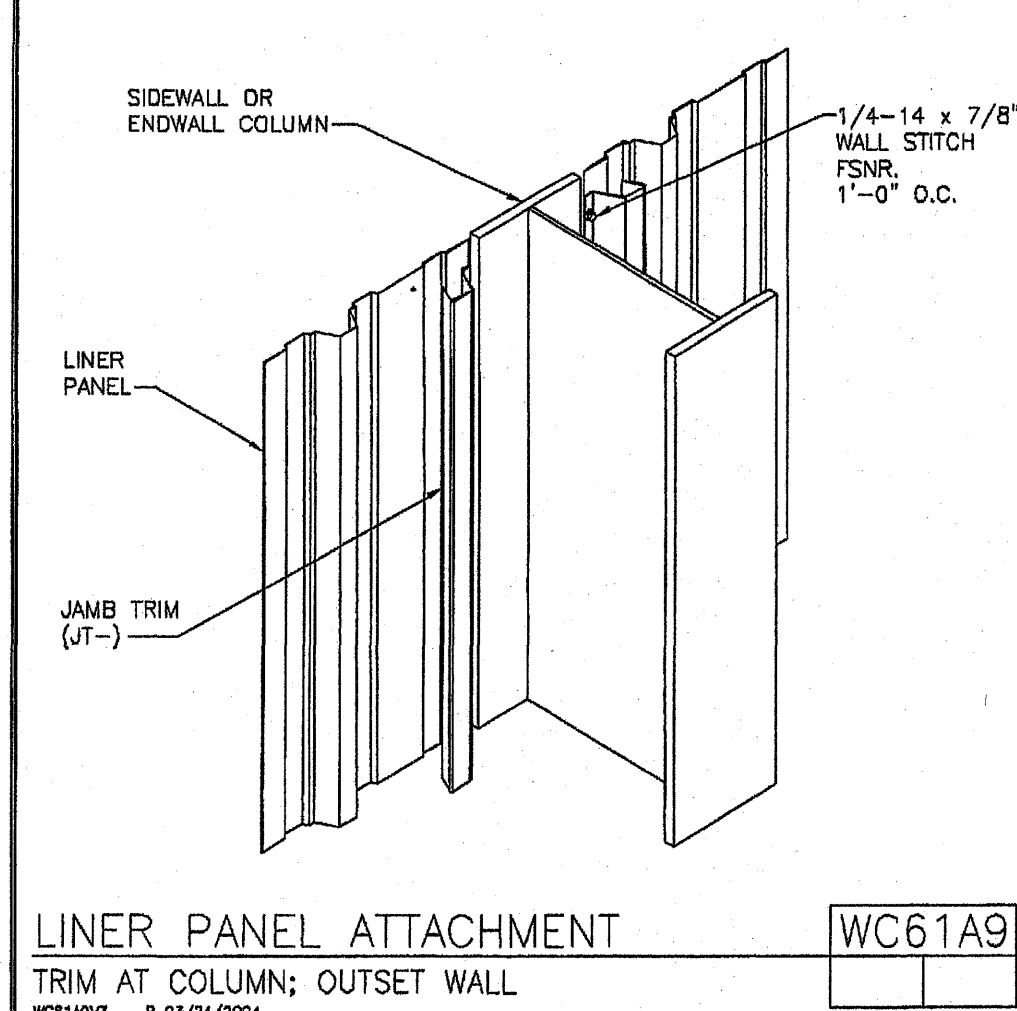
WALL TRIM AT DOOR HEAD OVERHEAD DOOR OPENING W/ LINER WCO24A3
WCO24A3A R 03/23/2004



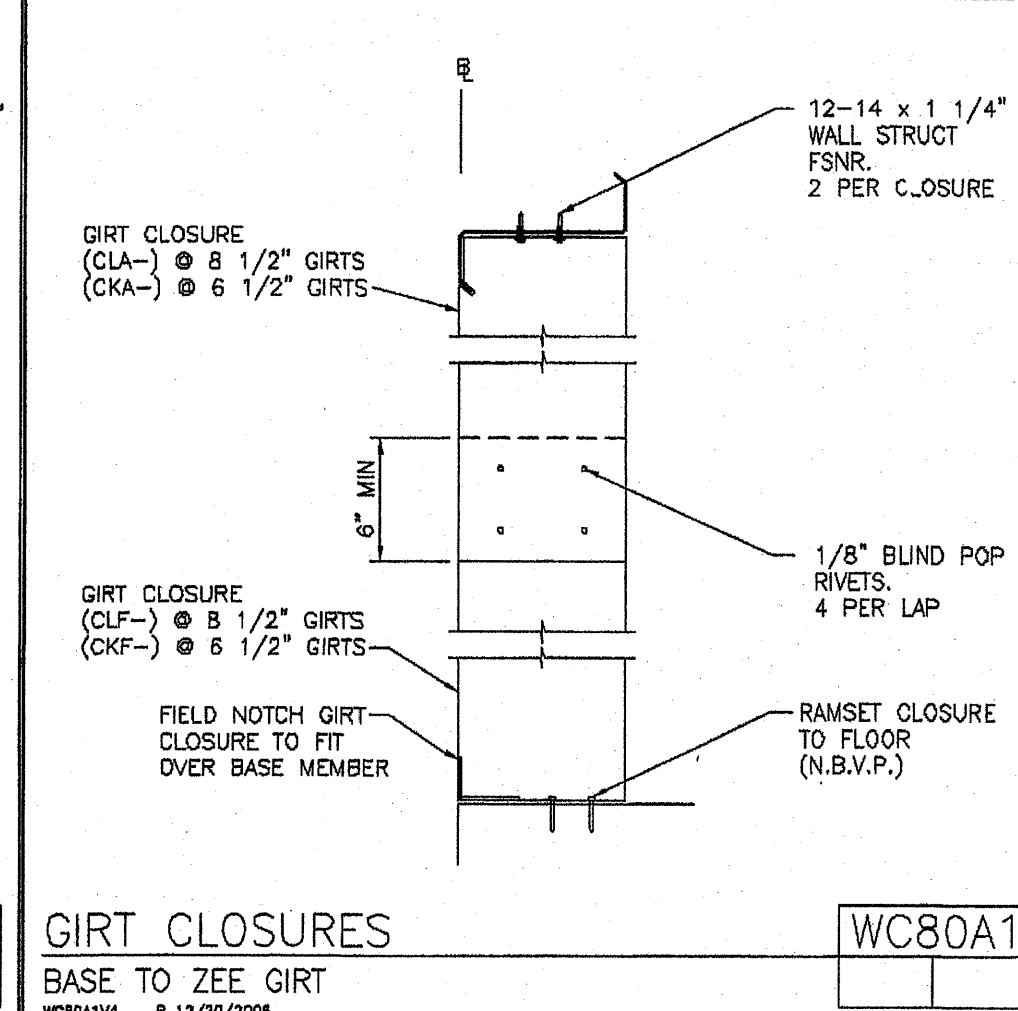
LINER TRIM AT DOOR HEAD OVERHEAD DOOR OPENING WCO25A3
WCO25A3A R 03/24/2004



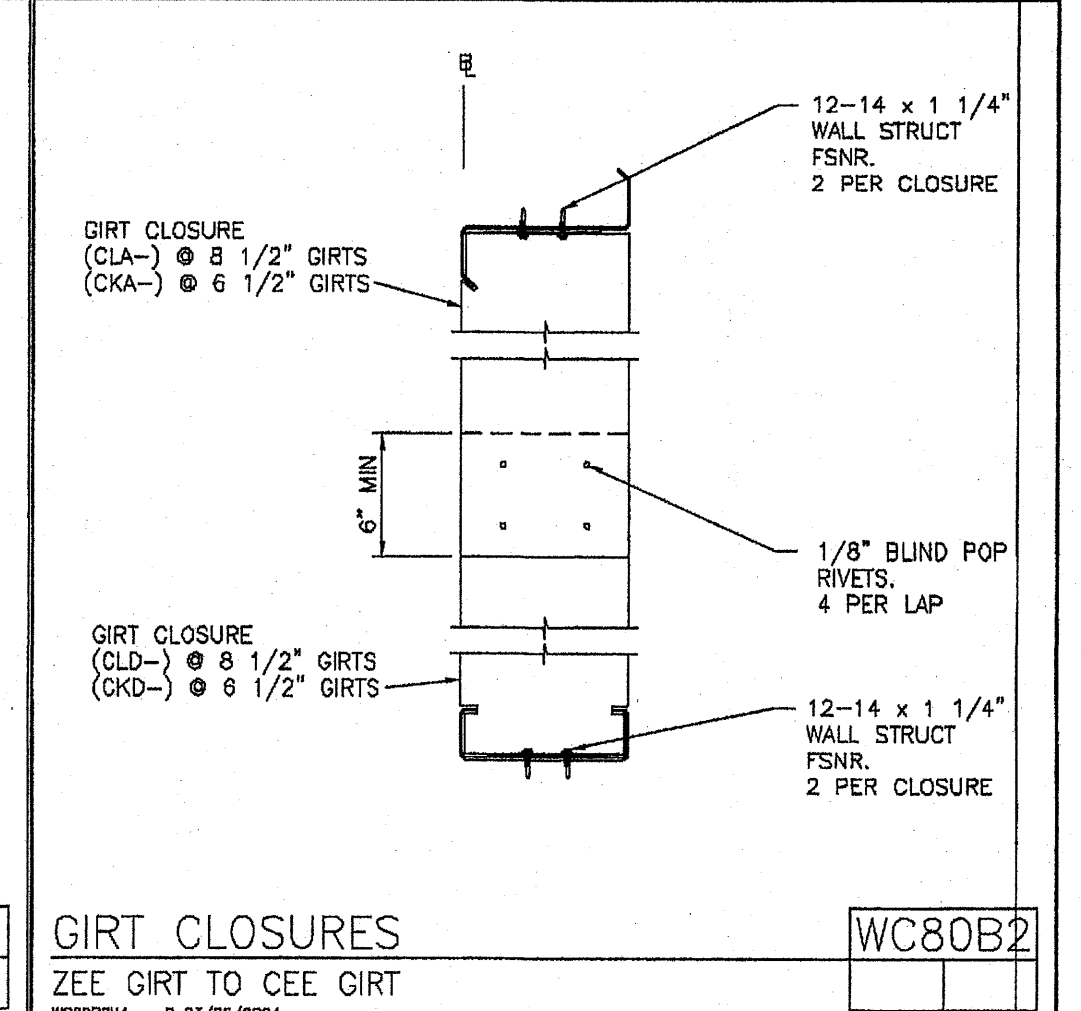
VP SERVICE DOOR JAMB W/ LINER FULL HT LINER (W/6 1/2" OR 8 1/2" GIRTS) WCO30A1
WCO30A1A R 03/24/2004



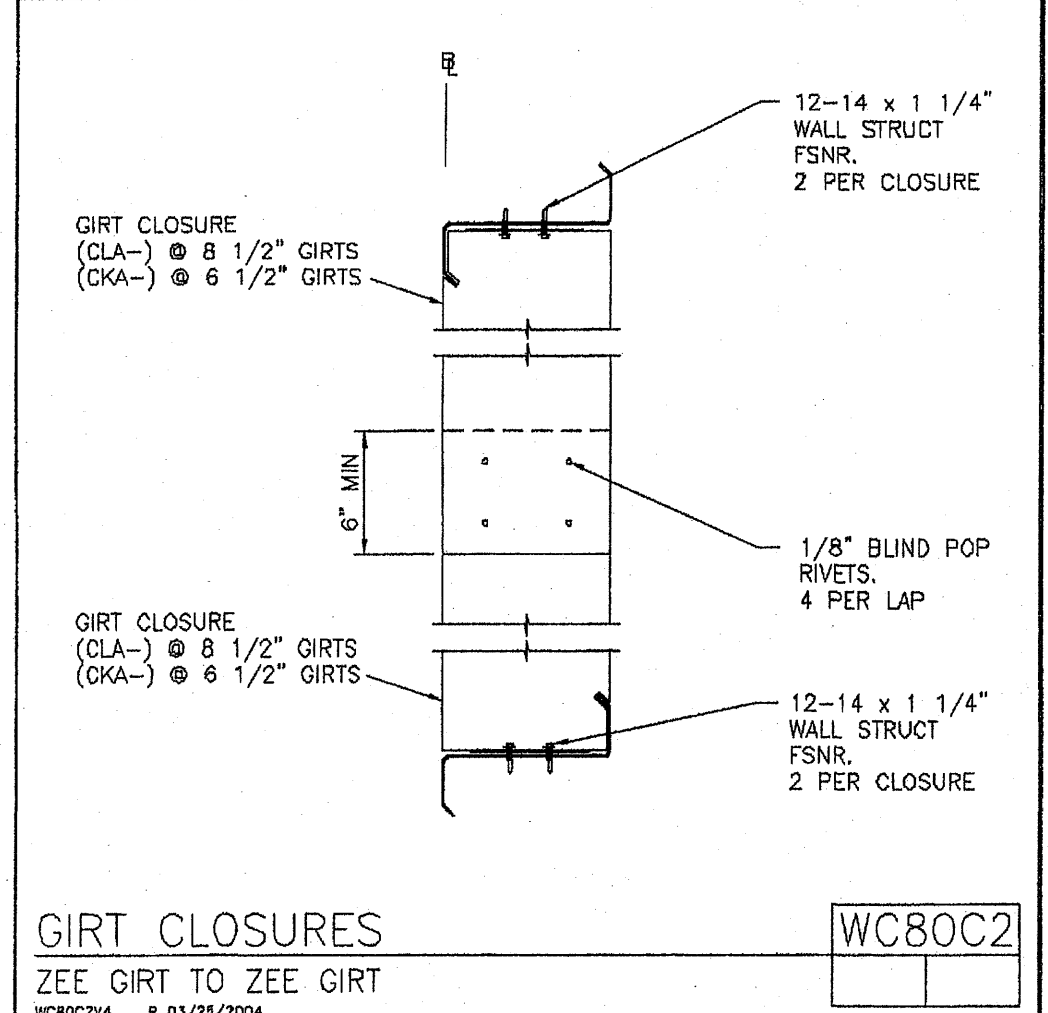
LINER PANEL ATTACHMENT TRIM AT COLUMN; OUTSET WALL WCO61A9
WCO61A9A R 03/24/2004



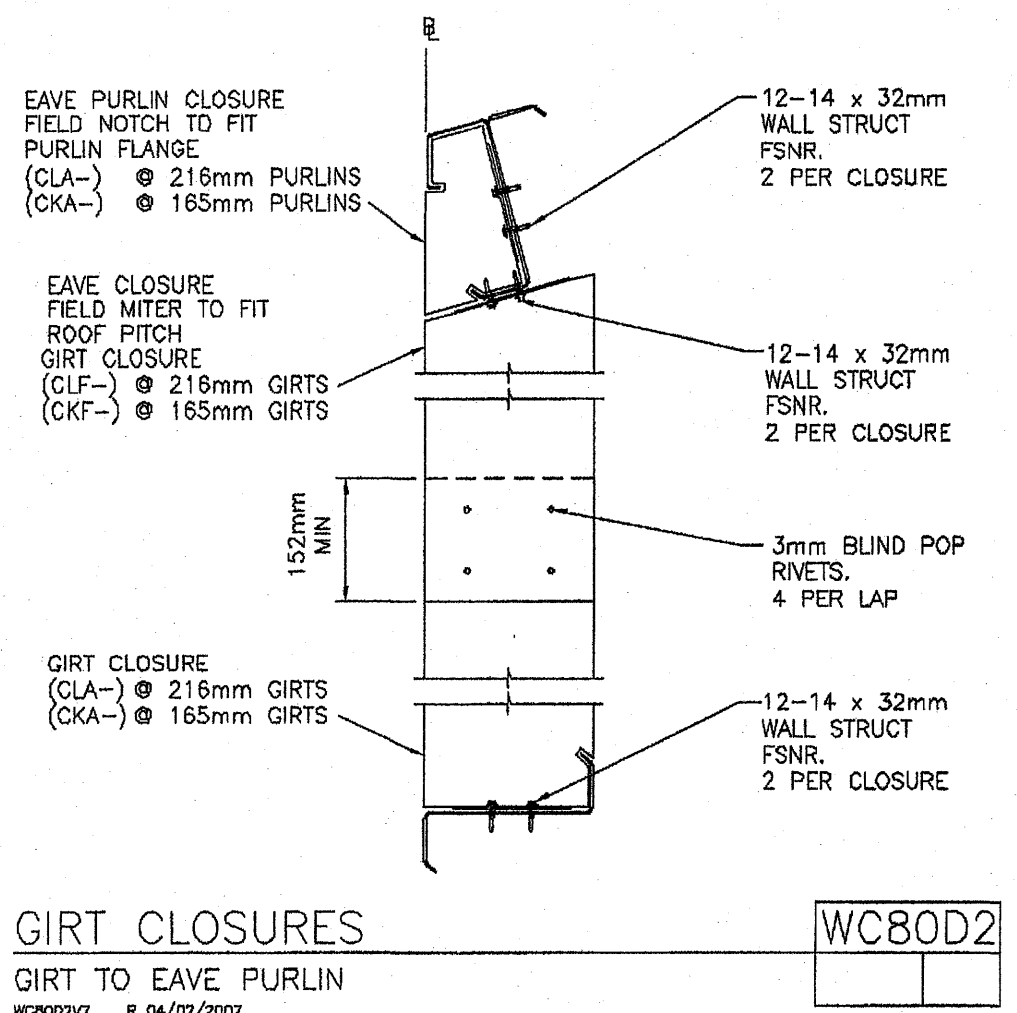
GIRT CLOSURES BASE TO ZEE GIRT WCO80A1
WCO80A1A R 12/20/2008



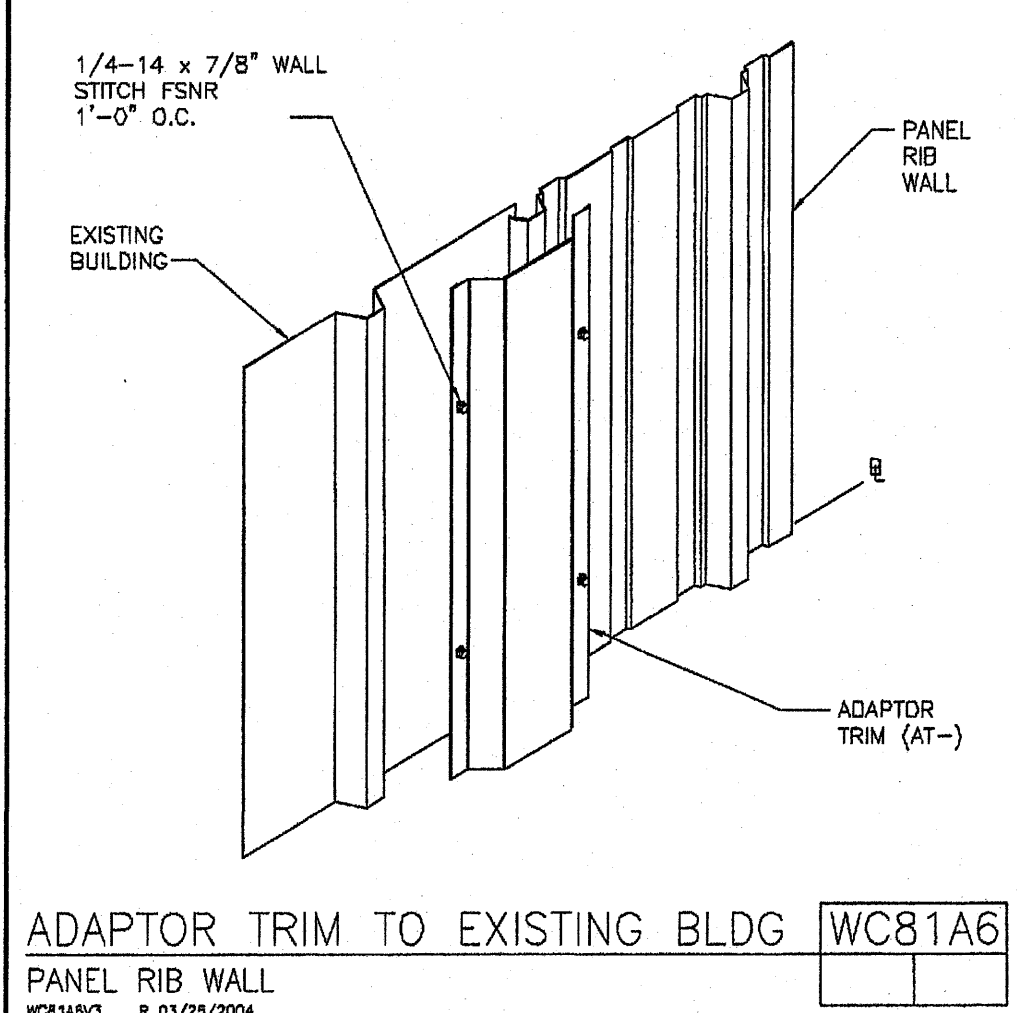
GIRT CLOSURES ZEE GIRT TO CEE GIRT WCO80B2
WCO80B2A R 03/23/2004



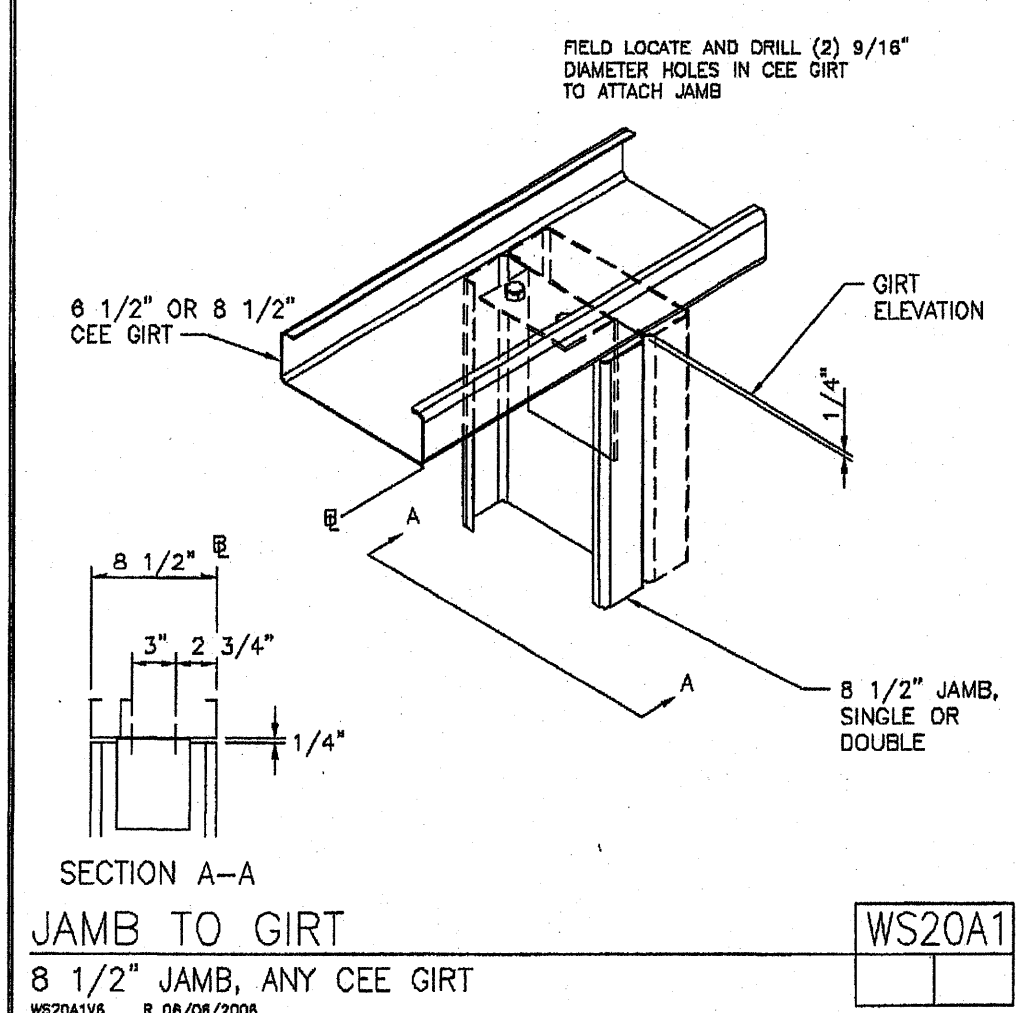
GIRT CLOSURES ZEE GIRT TO ZEE GIRT WCO80C2
WCO80C2A R 03/23/2004



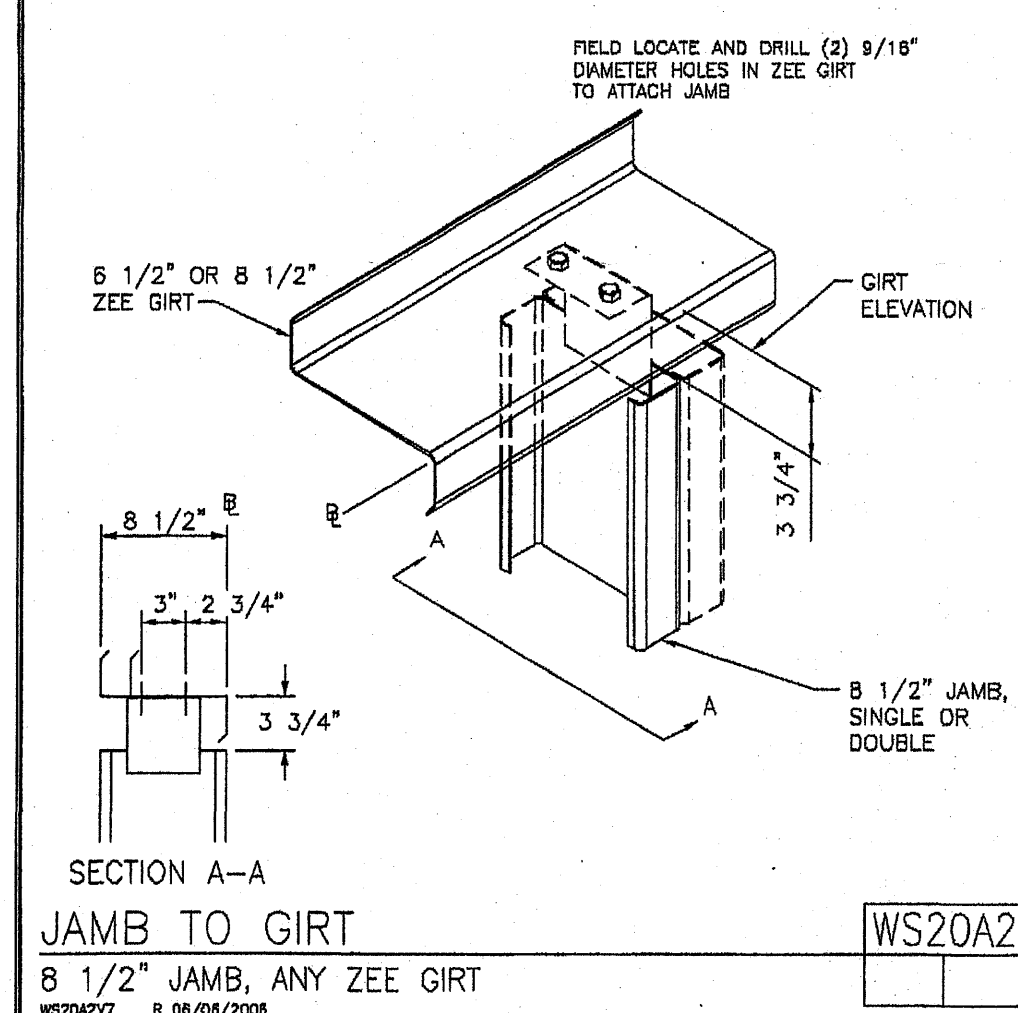
GIRT CLOSURES GIRT TO EAVE PURLIN WCO80D2
WCO80D2A R 04/02/2007



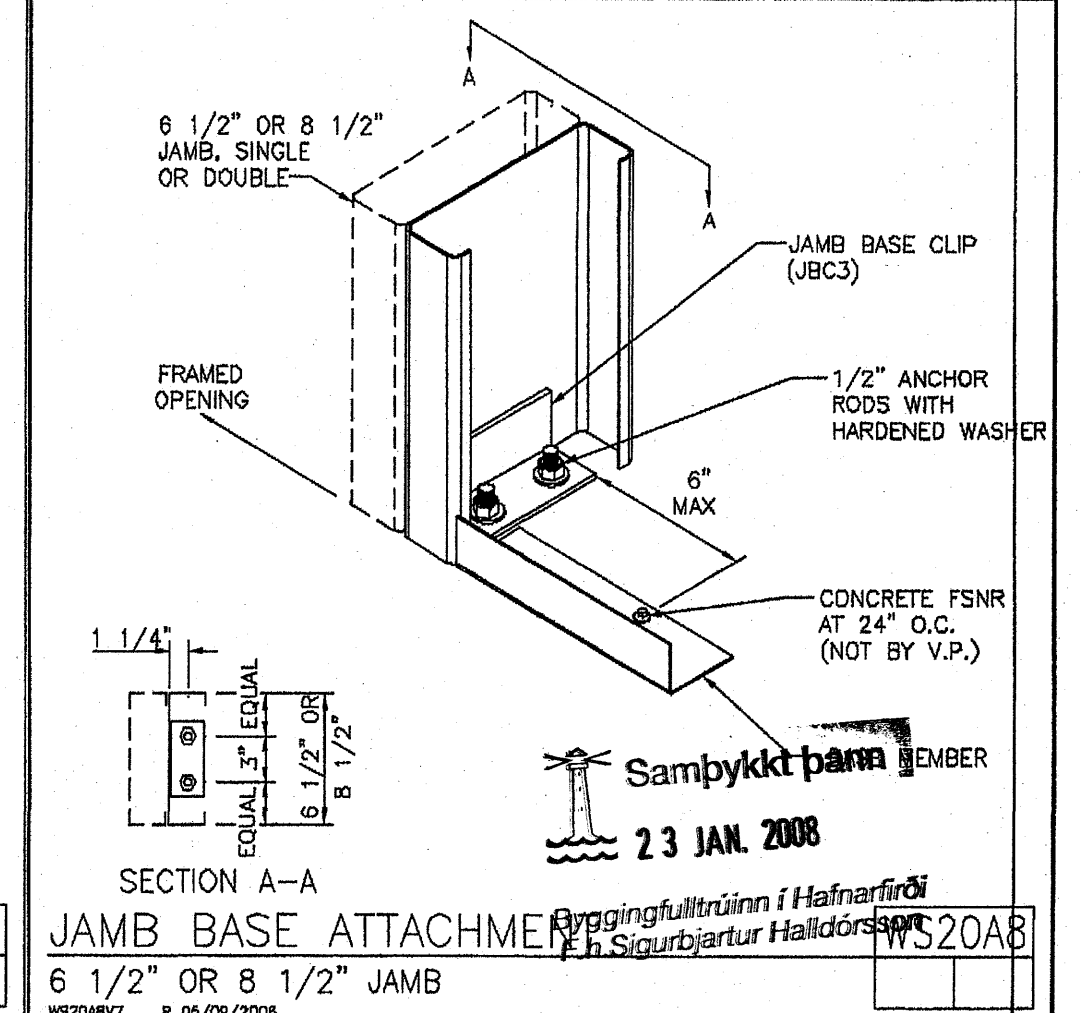
ADAPTOR TRIM TO EXISTING BLDG WCO81A6
WCO81A6A R 03/23/2004



JAMB TO GIRT 8 1/2" JAMB, ANY CEE GIRT WSO20A1
WSO20A1A R 06/04/2008



JAMB TO GIRT 8 1/2" JAMB, ANY ZEE GIRT WSO20A2
WSO20A2A R 06/04/2008



JAMB BASE ATTACHMENT WSO20A8
WSO20A8A R 06/04/2008

VSD RÁÐGGJÖF

Þú ert á uppdrátt þennan ábyrgist VSD Ráðgjöf ehf. kt. 681272-0979, að hönnun sé faglega unnin og í samræmi við lög og reglugerðir um byggingarmál.

EVKT
26 OCT 2007
MOTTEKID
Norðurhella 2 - 221 Hafnarfjörður

Dags. _____ Nafn _____ Kennitala _____

FOR CONSTRUCTION

THE VP ENGINEER'S SEAL APPLIES ONLY TO THE WORK PRODUCT OF VP AND DESIGN AND PERFORMANCE REQUIREMENTS SPECIFIED BY VP. THE VP ENGINEER'S SEAL DOES NOT APPLY TO THE PERFORMANCE OR DESIGN OF ANY OTHER PRODUCT OR COMPONENT FURNISHED BY VP EXCEPT TO ANY DESIGN OR PERFORMANCE REQUIREMENTS SPECIFIED BY VP.

THIS DRAWING, INCLUDING THE INFORMATION HEREON, REMAINS THE PROPERTY OF VP BUILDINGS. IT IS PROVIDED SOLELY FOR ERECTING THE BUILDING DESCRIBED IN THE APPLICABLE PURCHASE ORDER AND SHALL NOT BE MODIFIED, REPRODUCED OR USED FOR ANY OTHER PURPOSE WITHOUT PRIOR WRITTEN APPROVAL OF VP BUILDINGS.

THE GENERAL CONTRACTOR AND/OR ERECTOR IS SOLELY RESPONSIBLE FOR ACCURATE, GOOD QUALITY WORKMANSHIP IN ERECTING THIS BUILDING IN CONFORMANCE WITH THIS DRAWING, DETAILS REFERENCED IN THIS DRAWING, ALL APPLICABLE VP ERECTION GUIDES, AND INDUSTRY STANDARDS PERTAINING TO PROPER ERECTION, INCLUDING THE CORRECT USE OF TEMPORARY BRACING.

VP Buildings, Inc.			
3200 Players Club Circle Memphis TN 38125			
REV	DATE	BY	DESCRIPTION
NTS			

BUILDING SED'S

Norðurhella 2 - Hafnarfirði
Stálgrind, festingar
Sérmyndir
Bl. nr. 68

VP BUILDINGS
VARICO-FRUIEDN
VPC VERSION: 6.0a

JOBNO
07-4487
DATE
08/09/07
DRAWINGCHECK
DJS
PAGE
68

VP BUILDINGS
Kl. 560600-3050
Dalveg 18
201 Kópavogur

Verkfæðistofa Hauks Ásgerissonar ehf.