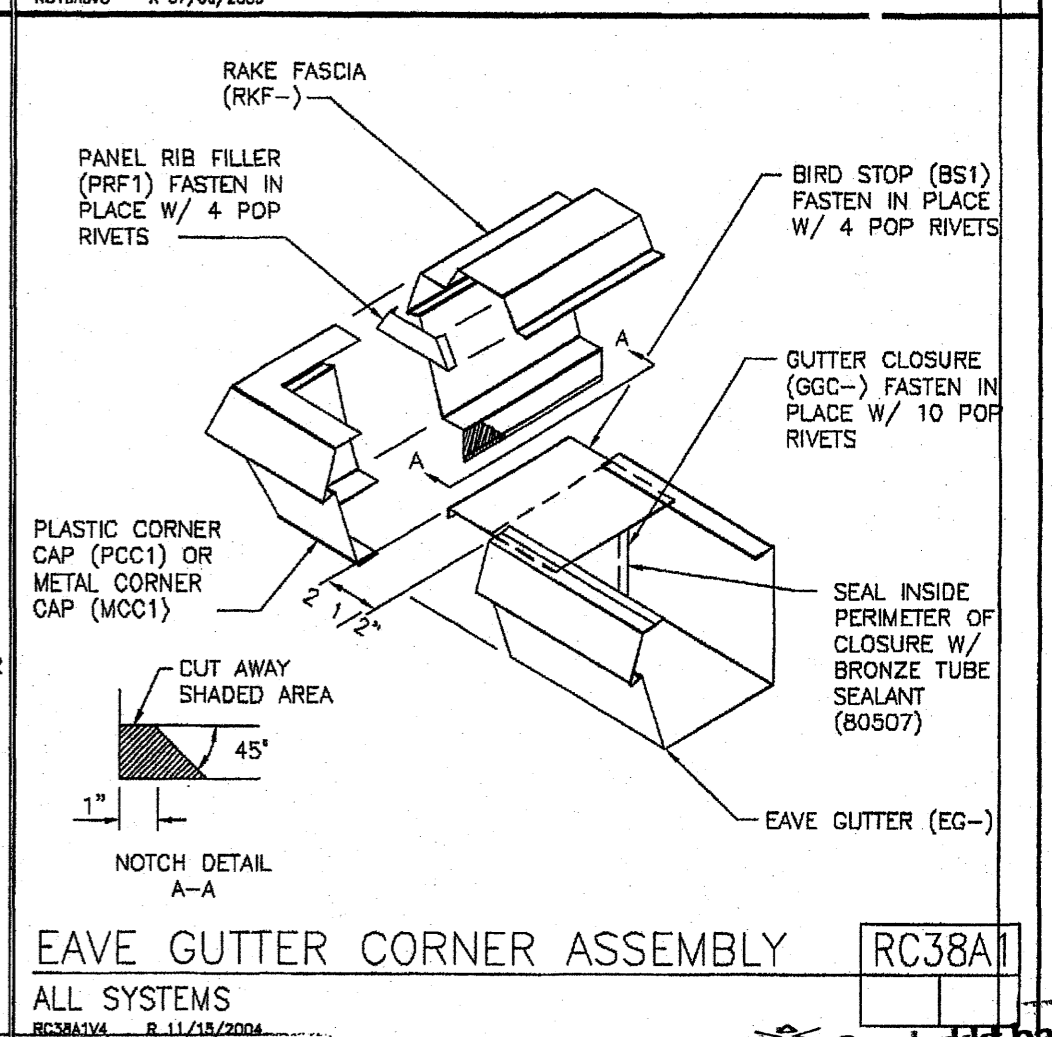
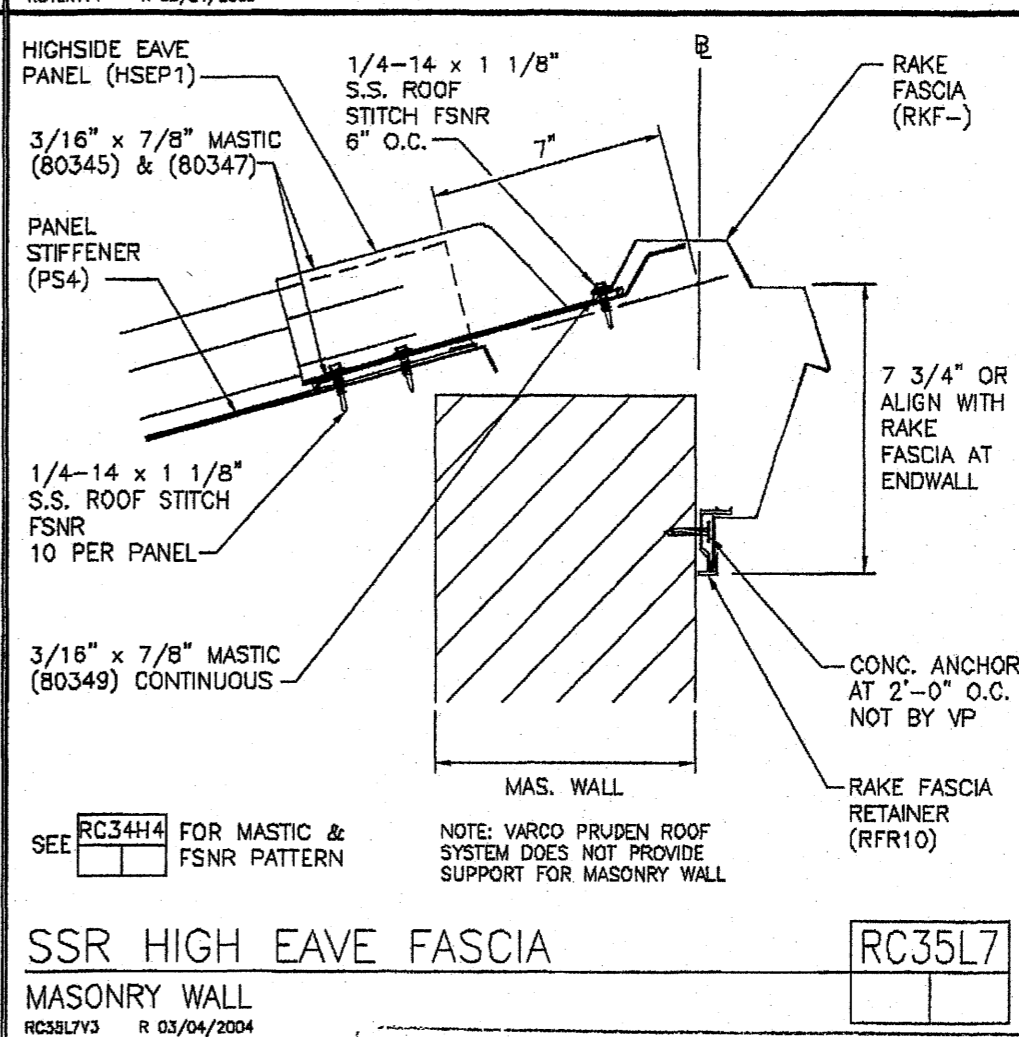
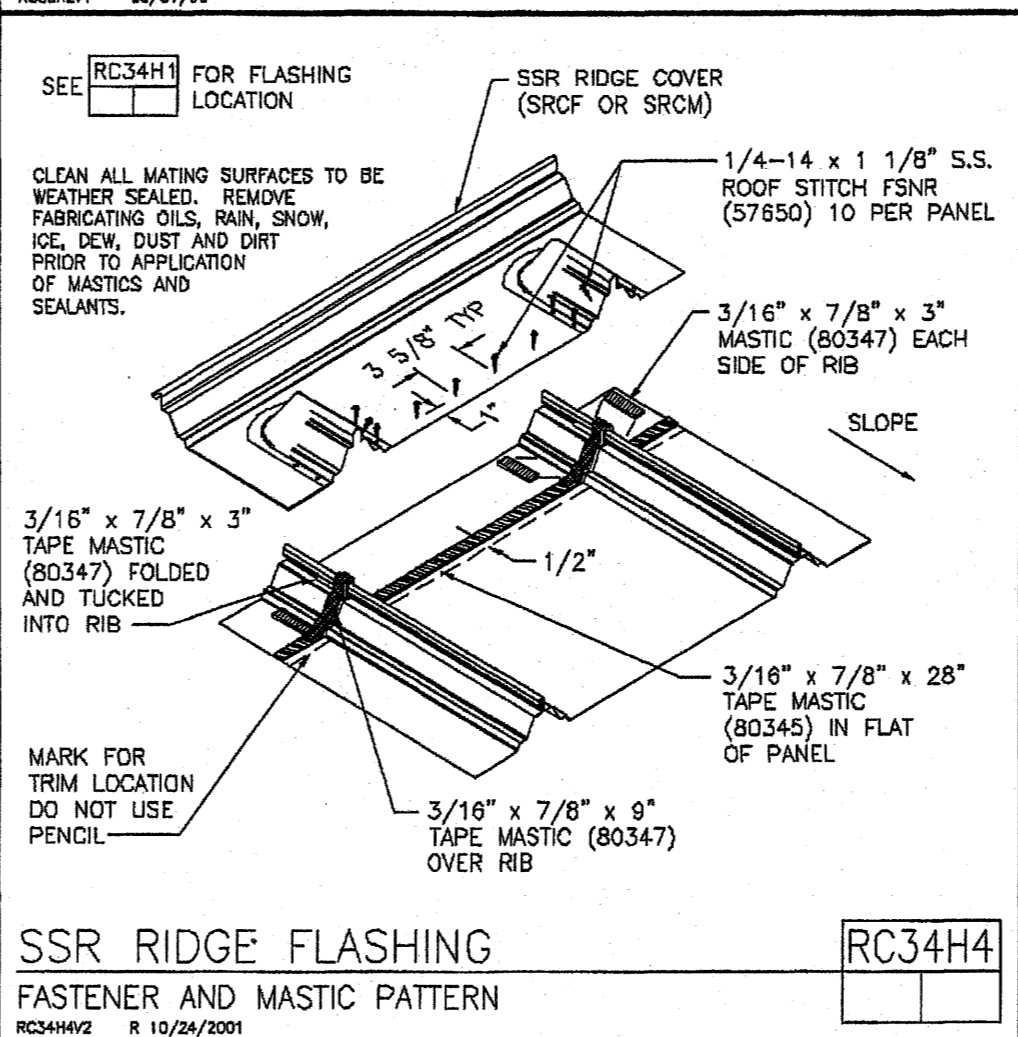
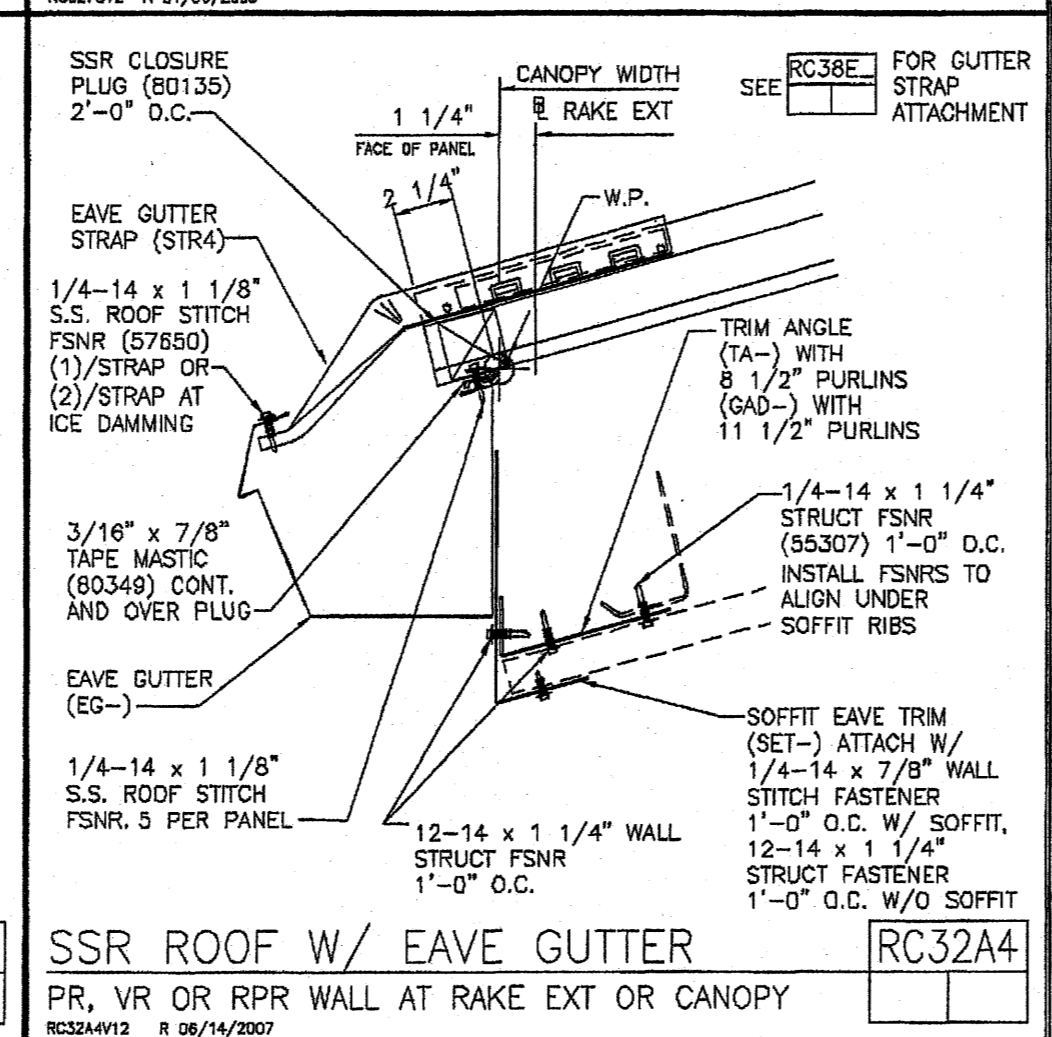
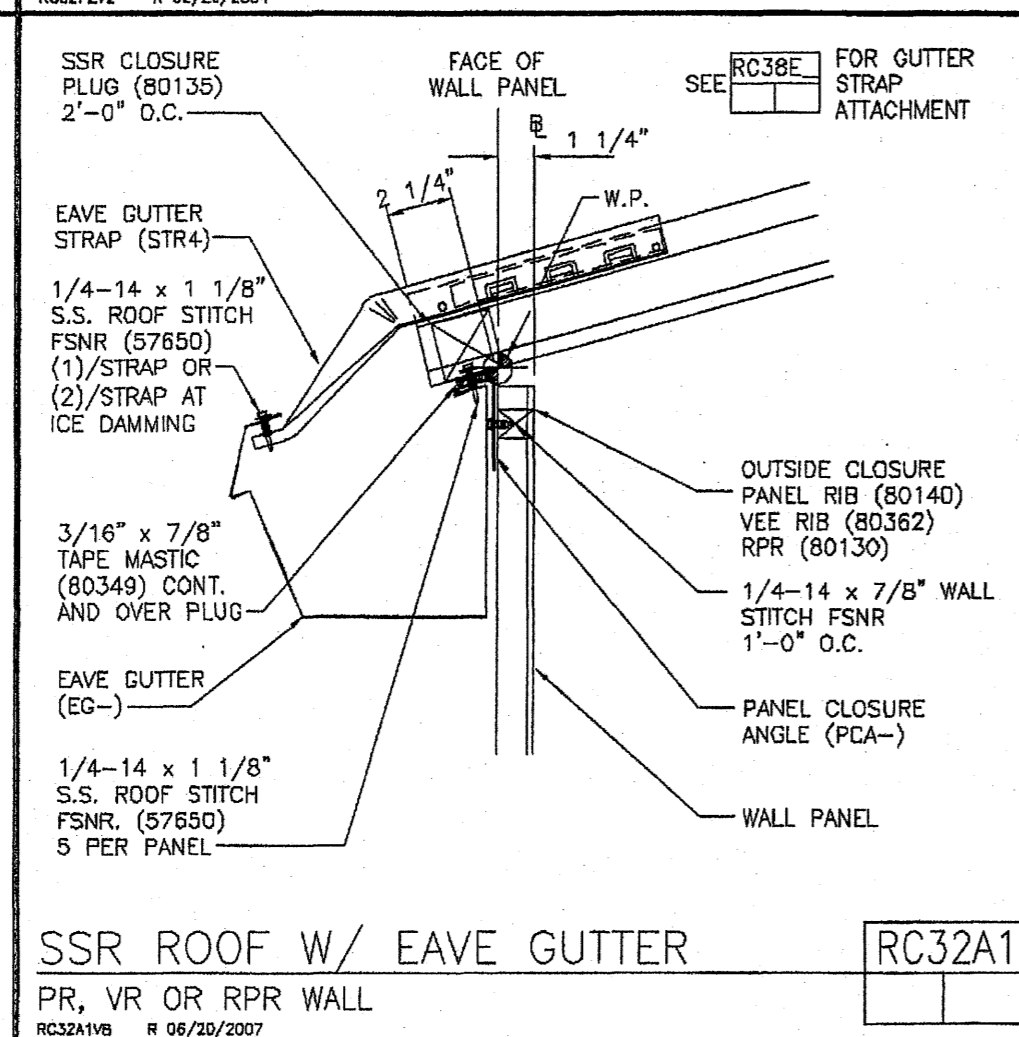
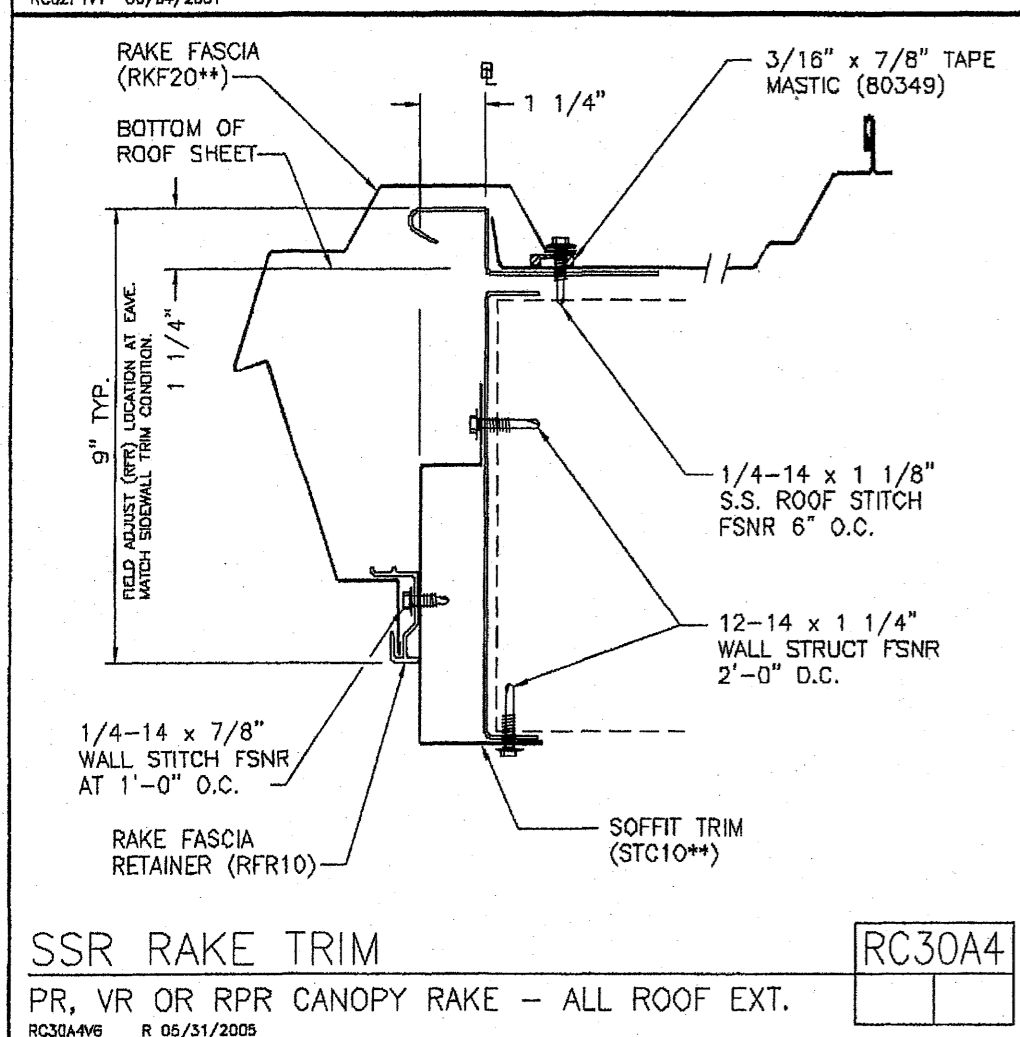
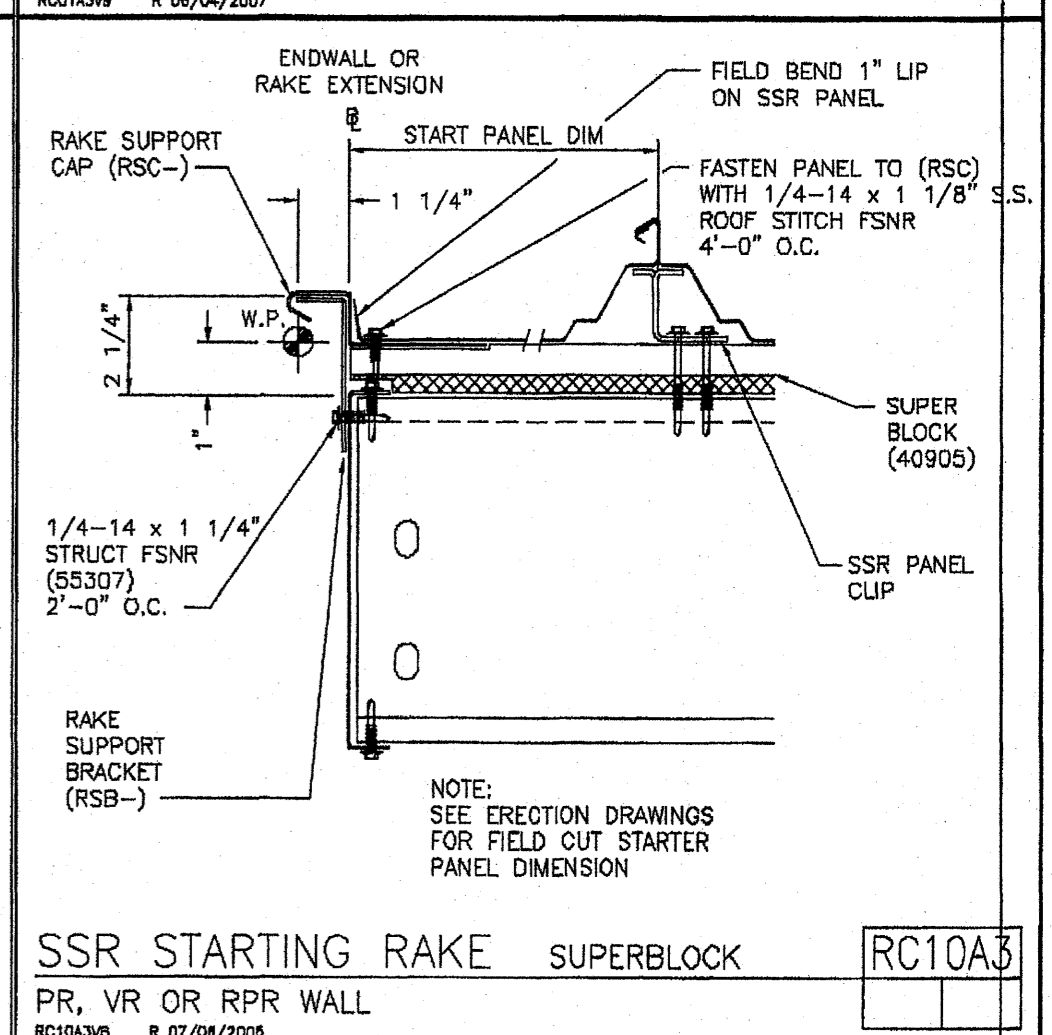
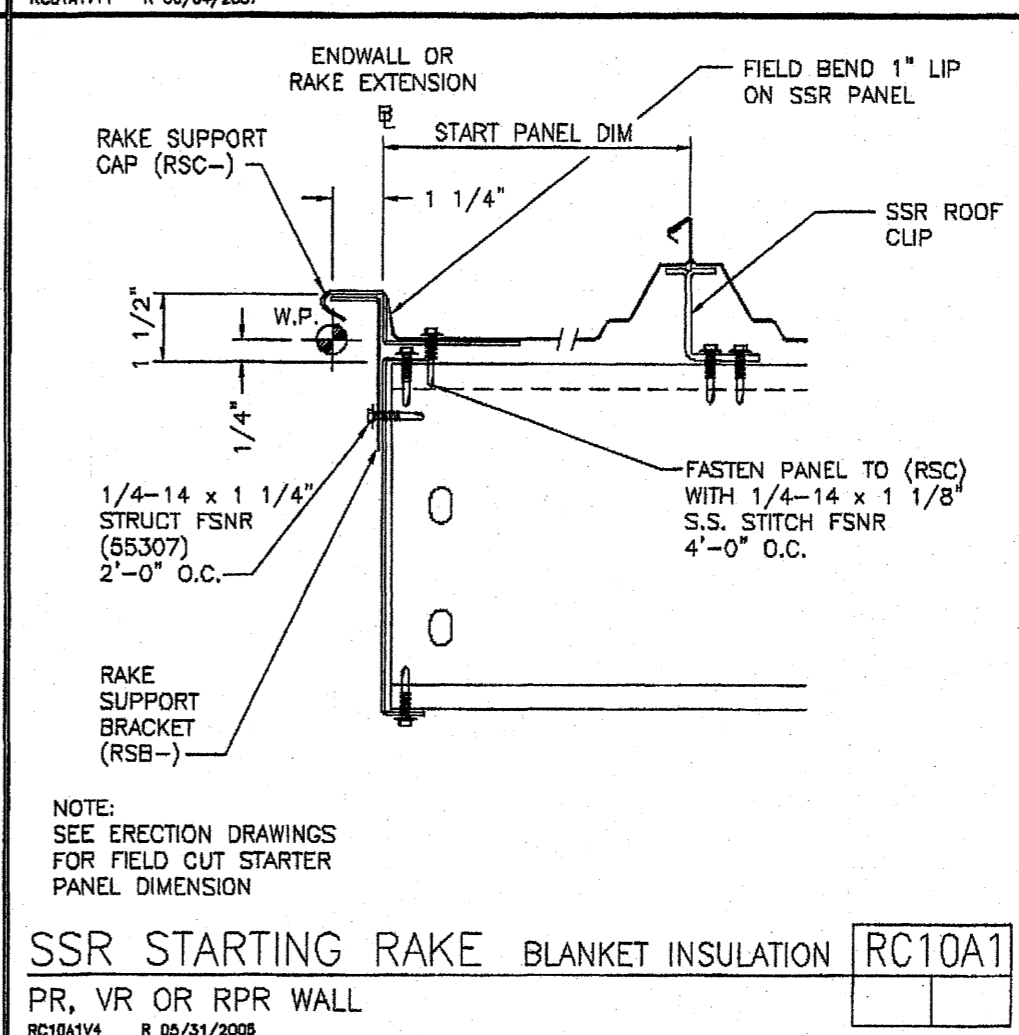
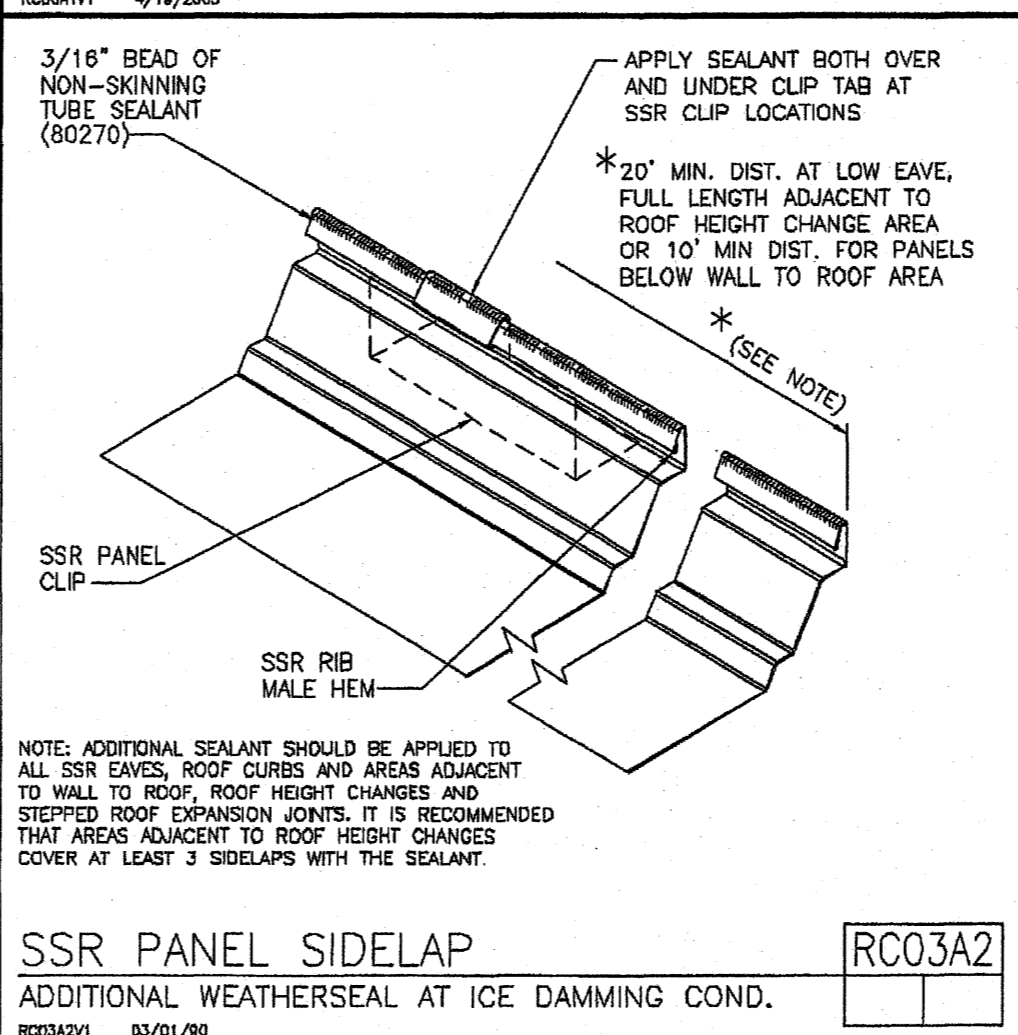
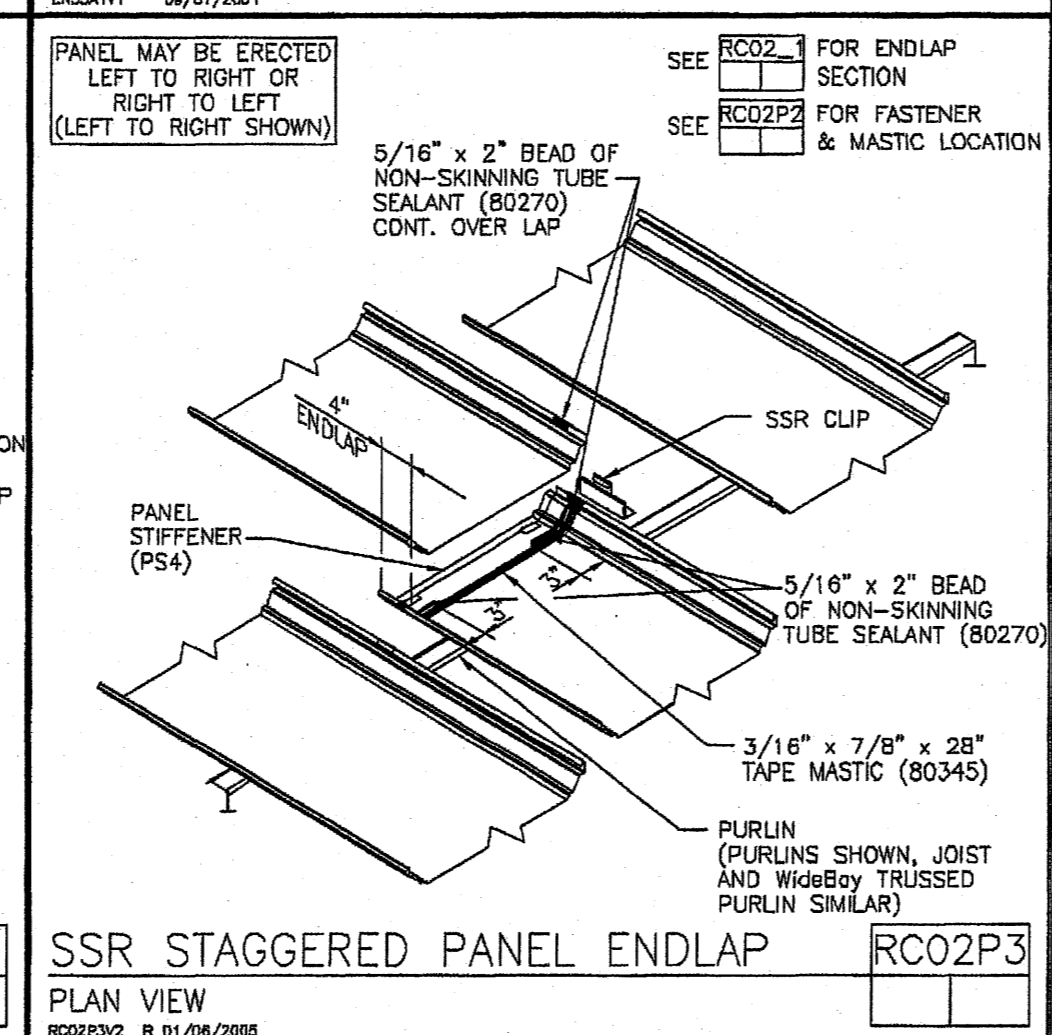
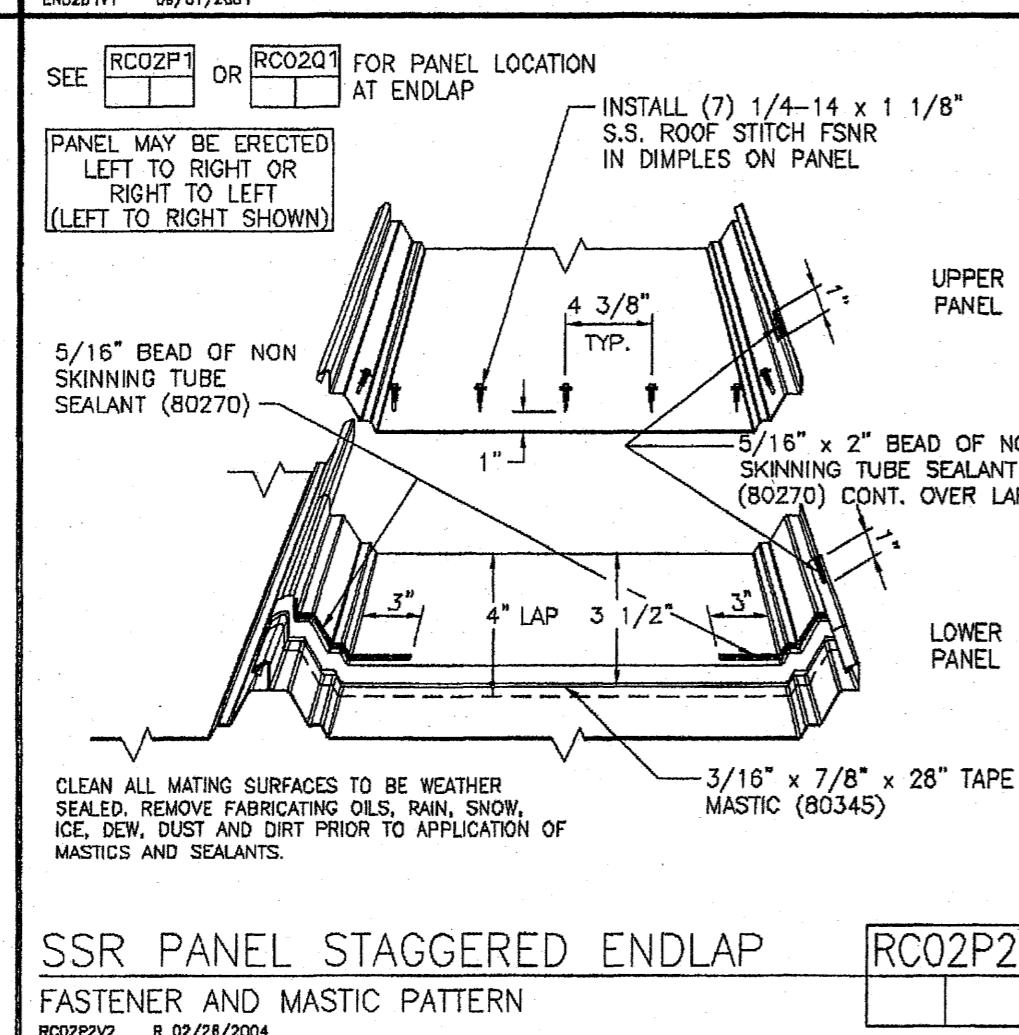
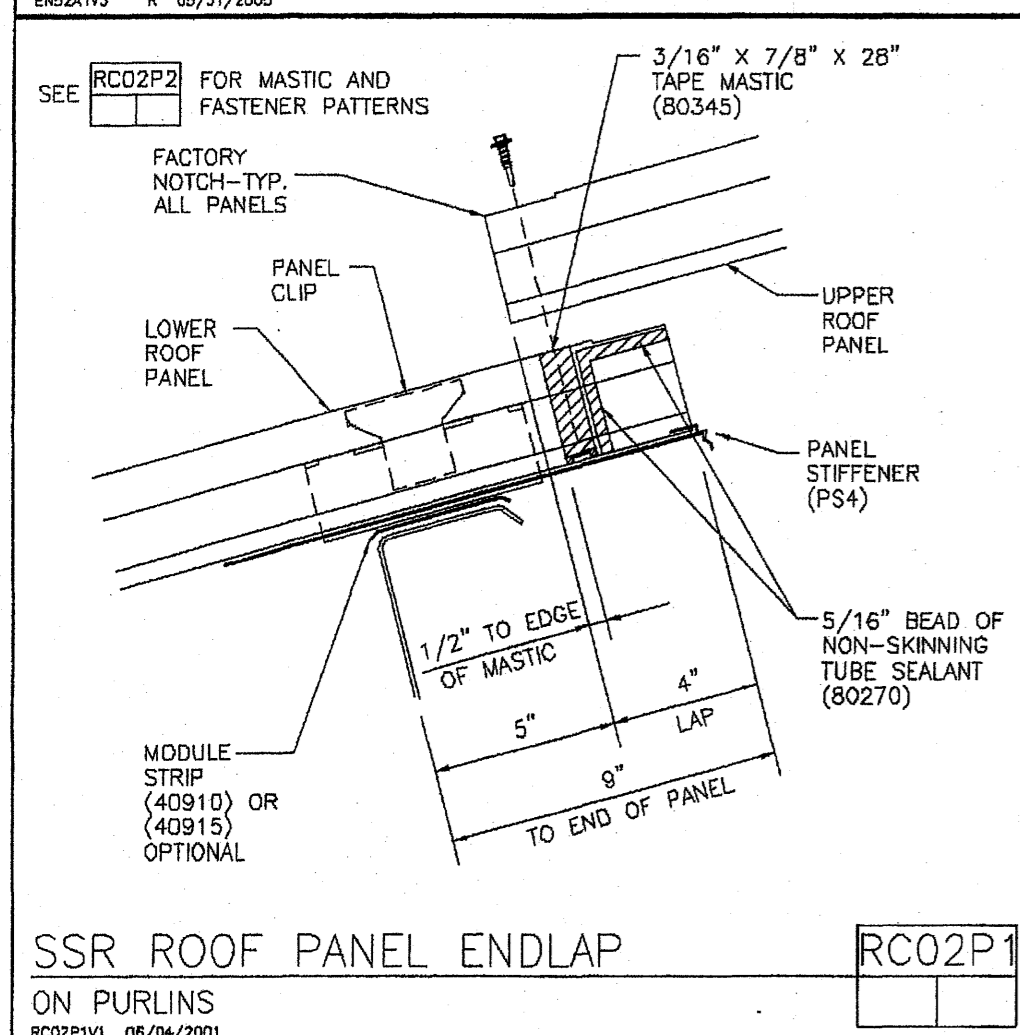
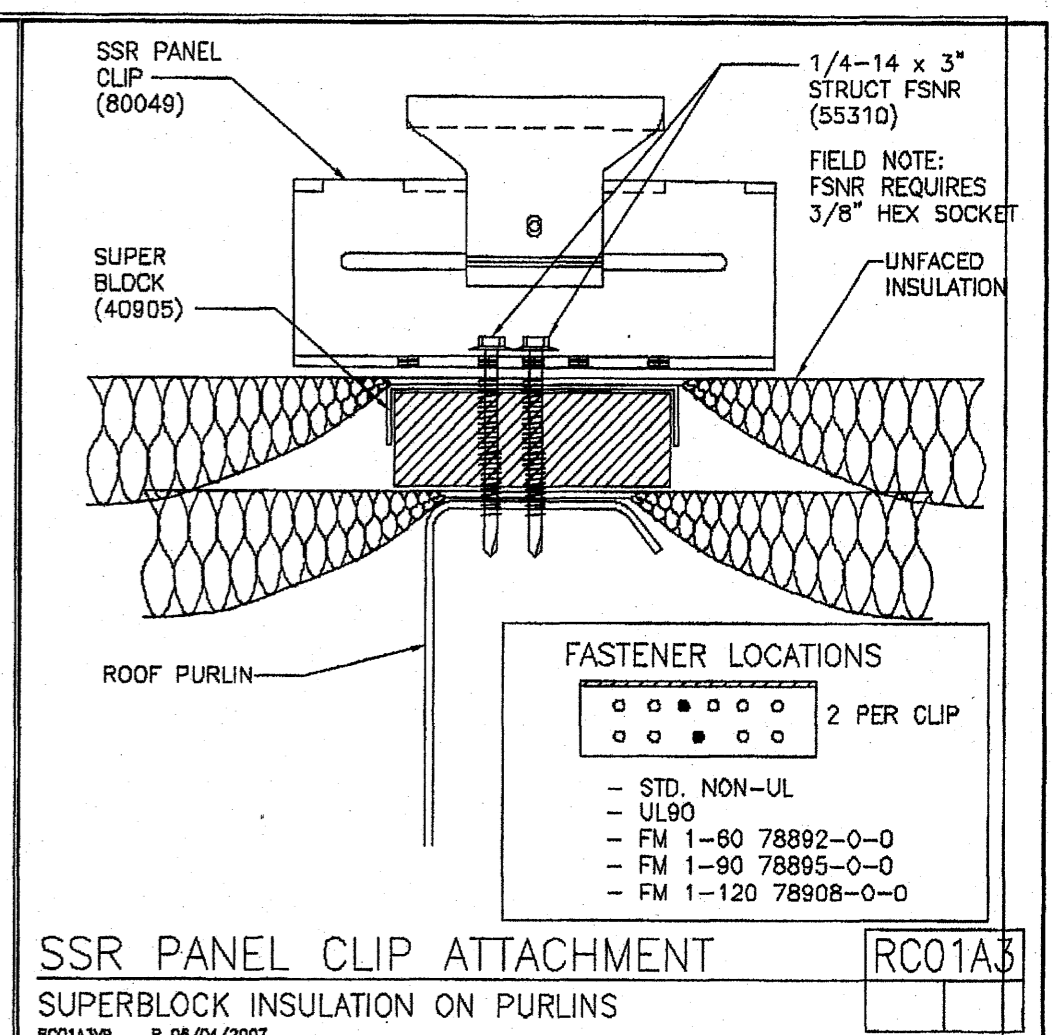
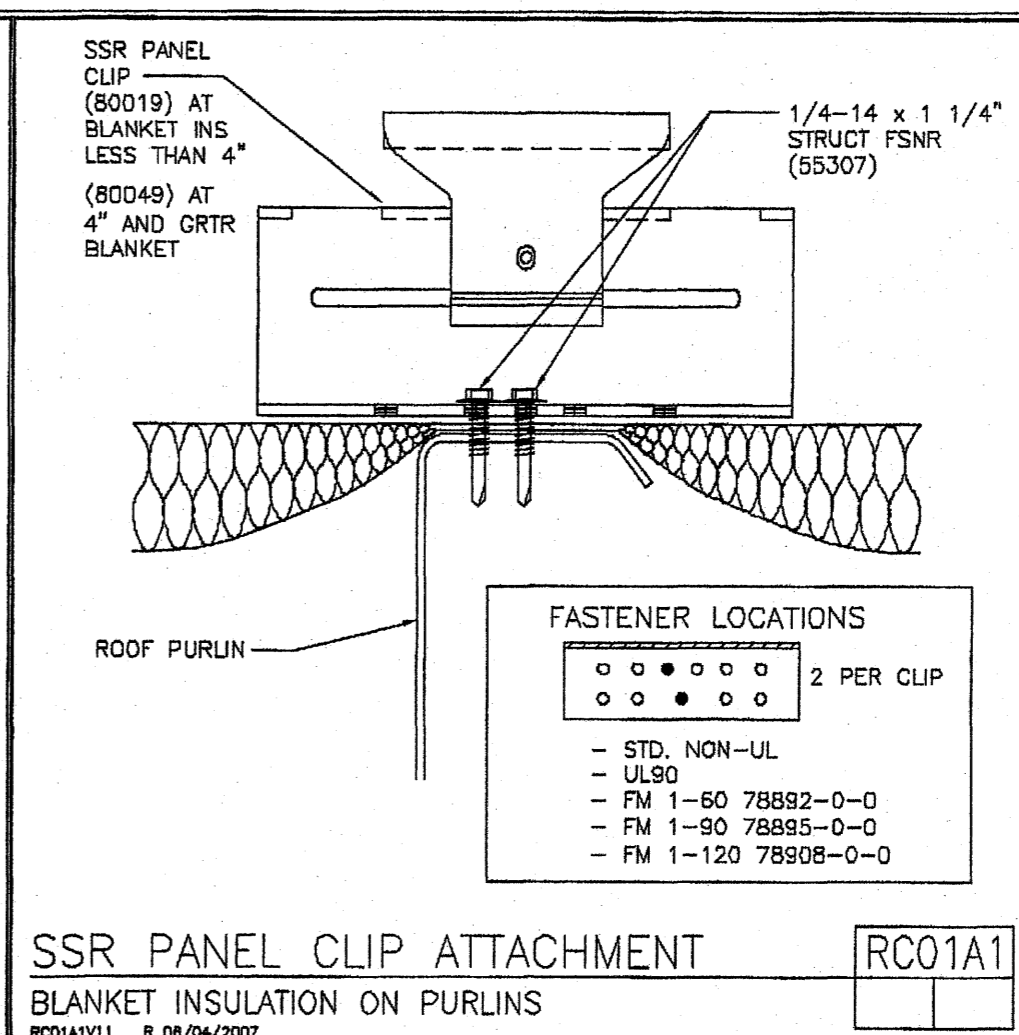


1. STANDARD ERECTION DETAILS (SED) SUPERSEDE SIMILAR DETAILS FOUND IN THE ERECTION GUIDES. REFER TO THE ERECTION GUIDES FOR OTHER DETAILS, INSTALLATION PROCEDURES AND ACCESSORIES NOT DESCRIBED IN THE SED'S.

2. ALL PANEL AND TRIM SURFACES MUST BE FREE OF DIRT AND OIL AT MASTIC AND SEALANT LOCATIONS.

NOTES RC00A1
RC00A1V1 4/19/2005



VSÓ RÁÐGJÖF
Með áritun á uppdrátt þennan ábyrgist VSÓ Ráðgjöf ehf. kt. 681272-0979, að hönnun sé faglega unnin og í samræmi við lög og reglugerðir um byggingarmál.

Dags. _____ Nafn _____ Kennitala _____

SVAR 23 JAN. 2008
26 OCT 2007
Byggingufulltrúinn í Hafnarfirði
MOTTEKIA Sigurbjartur Halldórsson

Norðurhella 2 - 221 Hafnarfjörður

FOR CONSTRUCTION

<p>THE VP ENGINEER'S SEAL APPLIES ONLY TO THE WORK PRODUCT OF VP AND DESIGN AND PERFORMANCE REQUIREMENTS SPECIFIED BY VP. THE VP ENGINEER'S SEAL DOES NOT APPLY TO THE PERFORMANCE OR DESIGN OF ANY OTHER PRODUCT OR COMPONENT FURNISHED BY VP EXCEPT TO ANY DESIGN OR PERFORMANCE REQUIREMENTS SPECIFIED BY VP.</p>	<p>THIS DRAWING, INCLUDING THE INFORMATION HEREON, REMAINS THE PROPERTY OF VP BUILDINGS. IT IS PROVIDED SOLELY FOR ERECTING THE BUILDING DESCRIBED IN THE APPLICABLE PURCHASE ORDER AND SHALL NOT BE MODIFIED, REPRODUCED OR USED FOR ANY OTHER PURPOSE WITHOUT PRIOR WRITTEN APPROVAL OF VP BUILDINGS.</p> <p>THE GENERAL CONTRACTOR AND/OR ERECTOR IS SOLELY RESPONSIBLE FOR ACCURATE, GOOD QUALITY WORKMANSHIP IN ERECTING THIS BUILDING IN CONFORMANCE WITH THIS DRAWING. DETAILS REFERENCED IN THIS DRAWING, ALL APPLICABLE VP ERECTION GUIDES, AND INDUSTRY STANDARDS PERTAINING TO PROPER ERECTION, INCLUDING THE CORRECT USE OF TEMPORARY BRACING.</p>	<p>VP Buildings, Inc. 3200 Players Club Circle Memphis TN 38125</p> <table border="1" style="width: 100%; border-collapse: collapse;"> <tr> <th>REV</th> <th>DATE</th> <th>BY</th> <th>DESCRIPTION</th> </tr> <tr> <td> </td> <td> </td> <td> </td> <td> </td> </tr> <tr> <td> </td> <td> </td> <td> </td> <td> </td> </tr> <tr> <td> </td> <td> </td> <td> </td> <td> </td> </tr> </table> <p style="text-align: center;">NTS</p>	REV	DATE	BY	DESCRIPTION													<p>BUILDING SED'S</p> <p>Norðurhella 2 - Hafnarfirði Stálgrind, festingar Sérmyndir Bl. nr. 66</p> <p>VP BUILDINGS VARCO-PRUEN VPC VERSION: 6.0a</p> <p>JOBNO 07-4487 DATE 08/09/07 DRAWN/CHECK DJS DJS PAGE 66</p> <p>Verkfæribistofa Hauks Ásgeirssonar ehf. Kt. 56090-3050 Dalveg 18 201 Kópavogur</p> <p>VHA</p>
REV	DATE	BY	DESCRIPTION																