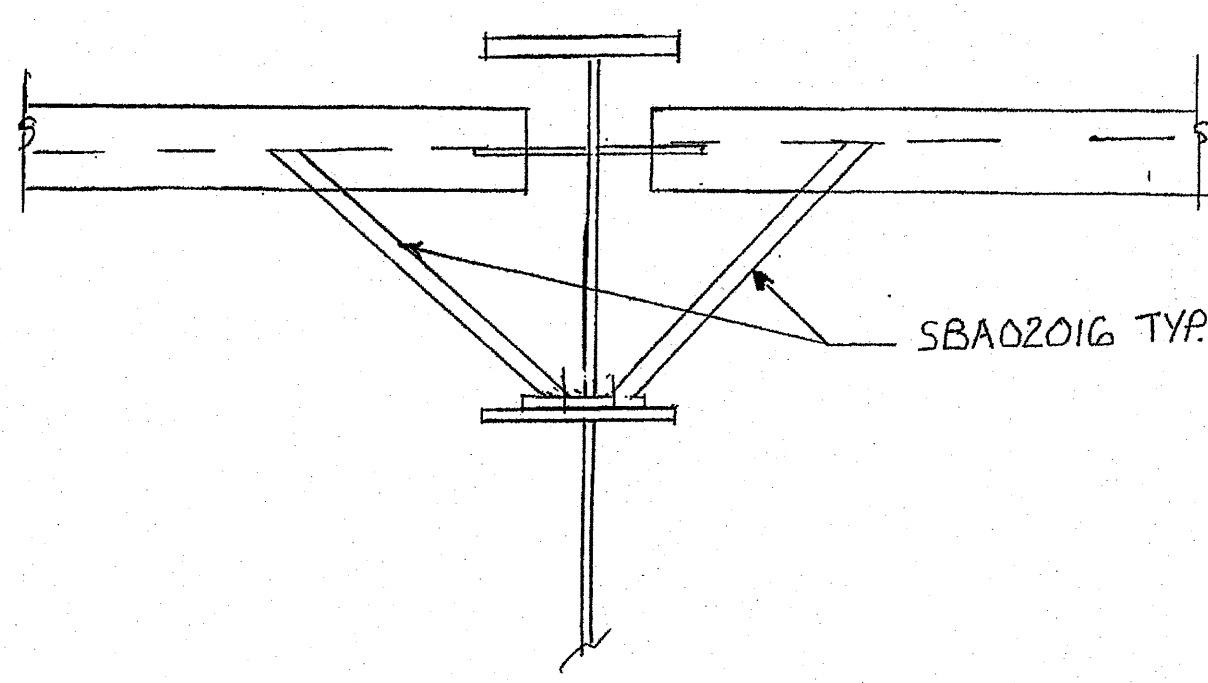


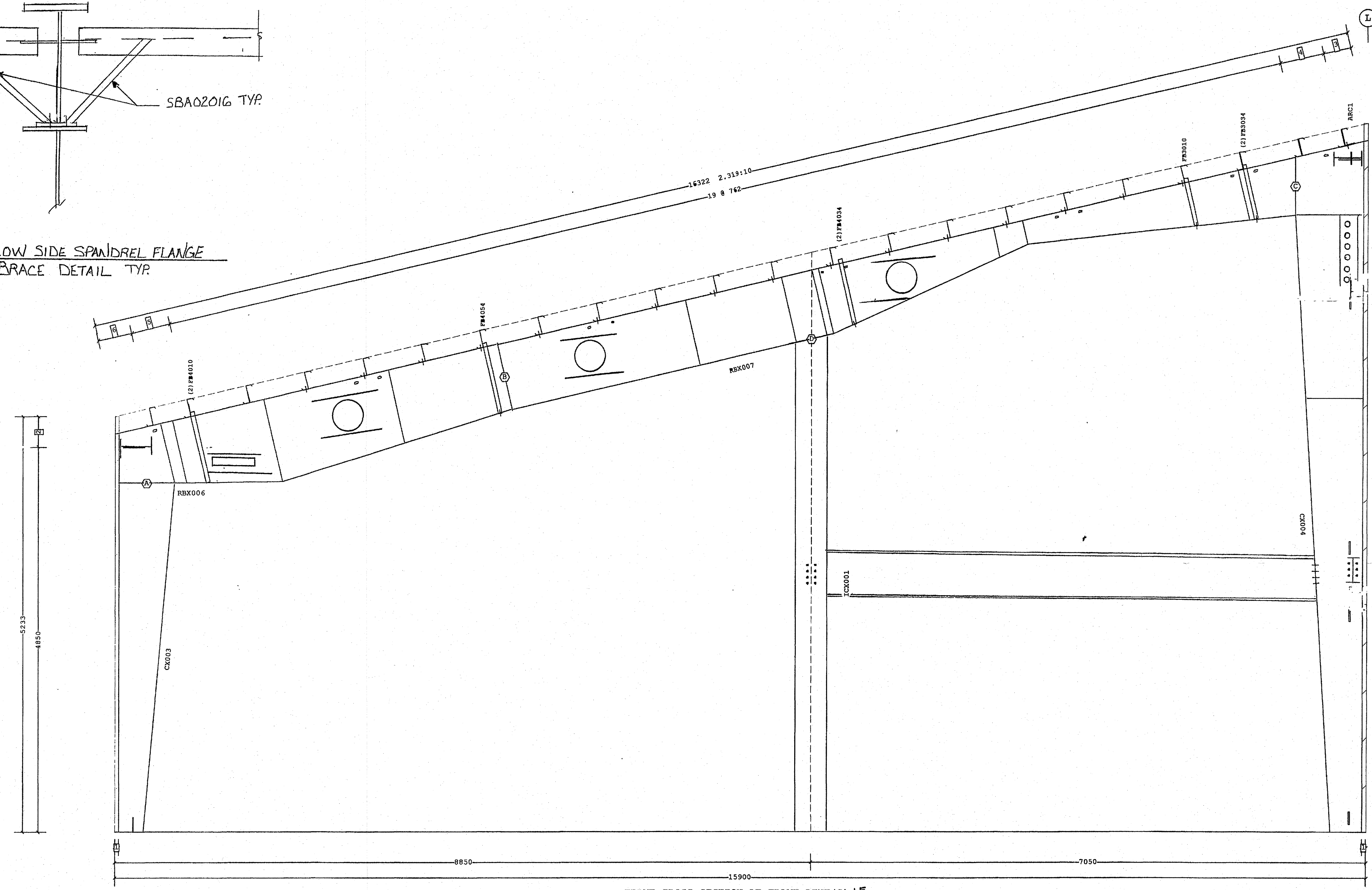
Frame Member Schedule							
Part	Mem.	Width	Thick.	Webthk	Depth1	Depth2	Approx. Lgth
CX003	1	305	25.40	4.76	305	698	4390
RBX006	2	305	19.05	12.70	775	808	4966
	3	305	19.05	4.76	808	1067	
	4	305	12.70	4.76	1067	838	
RBX007	5	152	9.52	4.18	838	838	10410
	6	152	7.94	4.18	838	305	
	7	152	4.76	3.42	305	711	
CX004	8	203	12.70	4.18	406	864	8684
ICX001	9	305	19.05	4.76	406	406	6241

A325 Bolt Connection & Plate Schedule									
Id	Qty	Bolt Dia.	Bolt Length	Plate Thick.	Rows Out	Rows In	Tension Bolt	Washer	Mark No
A	16	19	63	19	5	1			
B	10	19	51	13	3	2			
C	8	19	51	13	2	2			
D	8	22	70	19	2	2			

Frame Clearances
 Horiz. Clearance between members 1 (CX003) and 8 (CX004): 14238
 Vert. Clearance at member 1 (CX003): 4390
 Vert. Clearance at member 8 (CX004): 7757
 Vert. Clearance at member 9 (ICX001): 6157
 Finished Floor Elevation = 100000 (Unless Noted Otherwise)



LOW SIDE SPAN/DREL FLANGE BRACE DETAIL TYR



FRAME CROSS SECTION AT FRAME LINE(S) 15

- 7 445
- 6 438
- 5 492
- 4 560
- 3 354
- 2 383
- 1 50

Dimension Key

VP Ref: Shape Name = Service Building Wall 2, Frame 2

Norðurhella 2 - 221 Hafnarfjörður

Samþykkt þann 23 JAN. 2008
 Byggingulltrúnn í Hafnarfirði
 F.h. Sigurbjartur Halldórsson

VSÓ RÁÐGJÖF
 Með áritun á uppdrátt þennan ábyrgist VSÓ Ráðgjöf ehf. kt. 681272-0979, að hönnun sé faglega unnin og í samræmi við lög og reglugerðir um byggingarmál.
 Dags. _____ Natn _____

FOR CONSTRUCTION

1. USE 1/2 X 1 1/2 A325 SNUG TIGHTENED BOLTS FOR PURLIN TO FRAME, GIRT TO FRAME, AND GIRT TO CLIP CONNECTIONS UNLESS NOTED OTHERWISE.
 2. SLOT REINFORCEMENT PLATES NEED NOT BE LOCATED ON THE SAME SIDE OF THE WEB AS THE HILLSIDE WASHER.

THE VP ENGINEER'S SEAL APPLIES ONLY TO THE WORK PRODUCT OF VP AND DESIGN AND PERFORMANCE REQUIREMENTS SPECIFIED BY VP. THE VP ENGINEER'S SEAL DOES NOT APPLY TO THE PERFORMANCE OR DESIGN OF ANY OTHER PRODUCT OR COMPONENT FURNISHED BY VP EXCEPT TO ANY DESIGN OR PERFORMANCE REQUIREMENTS SPECIFIED BY VP.

THIS DRAWING, INCLUDING THE INFORMATION HEREON, REMAINS THE PROPERTY OF VP BUILDINGS. IT IS PROVIDED SOLELY FOR ERECTING THE BUILDING DESCRIBED IN THE APPLICABLE PURCHASE ORDER AND SHALL NOT BE MODIFIED, REPRODUCED OR USED FOR ANY OTHER PURPOSE WITHOUT PRIOR WRITTEN APPROVAL OF VP BUILDINGS.
 THE GENERAL CONTRACTOR AND/OR ERECTOR IS SOLELY RESPONSIBLE FOR ACCURATE, GOOD QUALITY WORKMANSHIP IN ERECTING THIS BUILDING IN CONFORMANCE WITH THIS DRAWING, DETAILS REFERENCED IN THIS DRAWING, ALL APPLICABLE VP ERECTION GUIDES, AND INDUSTRY STANDARDS PERTAINING TO PROPER ERECTION, INCLUDING THE CORRECT USE OF TEMPORARY BRACING.

VP Buildings, Inc.			
3200 Players Club Circle Memphis TN 38125			
REV	DATE	BY	DESCRIPTION
NTS			
8/9/2007		15:47:09	

FRAME CROSS SECTION AT FRAME LINE(S) 15
 Norðurhella 2 - Hafnarfirði
 Stálrammi í línu 15
 Verkstæðishluti
 Bl. nr. 8

VP BUILDINGS VARCO-PRUDEN	VP VERSION: 5.6d
------------------------------	------------------

JOB# 07-4487	DATE 08/9/07
DRAWN/CHECKED DJS/DJS	PAGE 8

FILENAME: 07-4487EP1.VPC