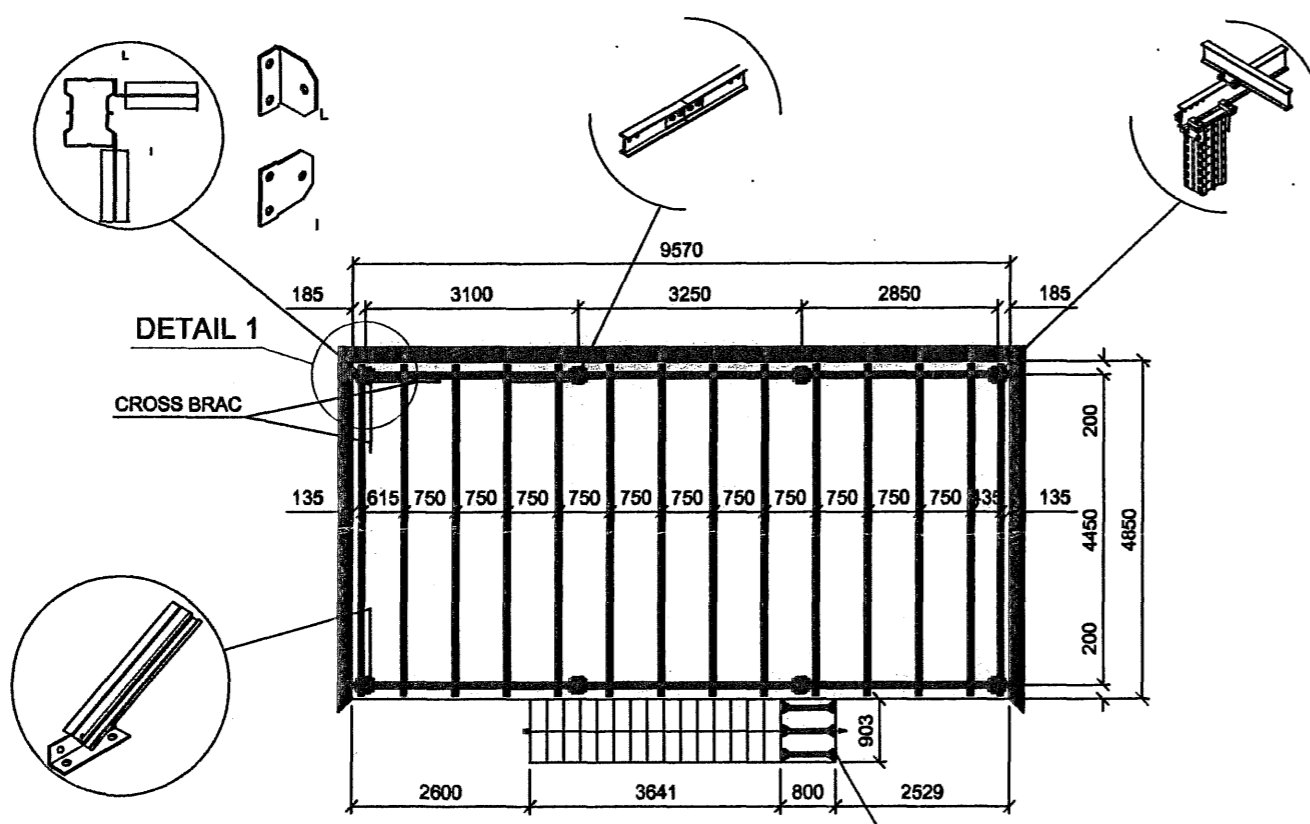


**Samþykkt þann**  
 12 NOV. 2007  
 Byggingulltrúinn í Hafnarfirði  
 F.h. Sigurbjartur Halldórsson

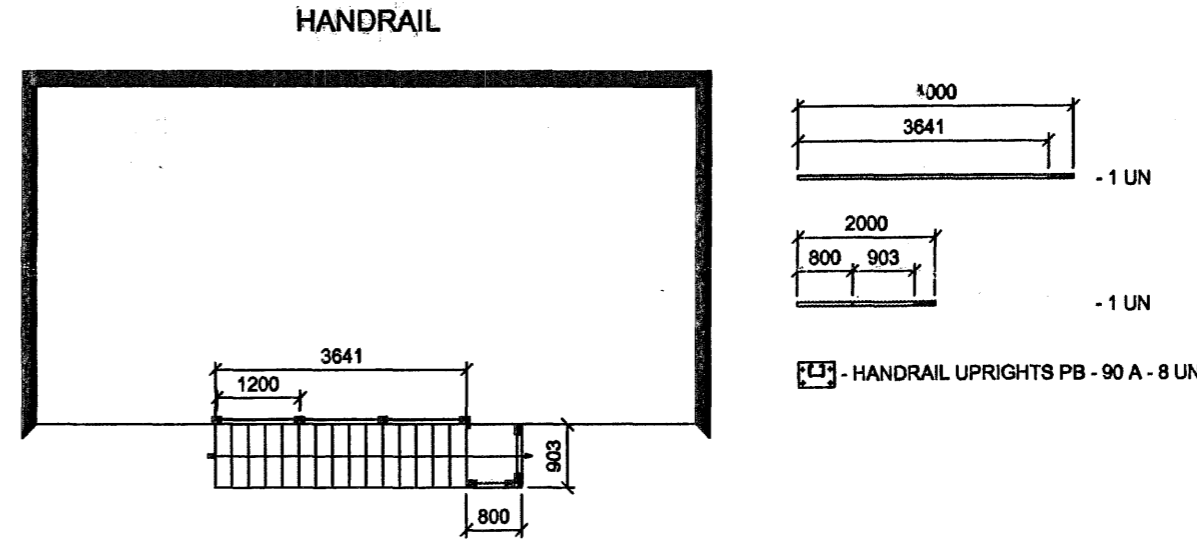
**CHIPBOARD MOUNTING**

CLAMPS WOOD  
 PLACED EVERY 500 MM

BOLTS SELF-DRILLING D5x40 D7505 A Z  
 +WASHERS M6 D125 Z



A - CHIPBOARD SUPP. L2C F080 - 3 UN.

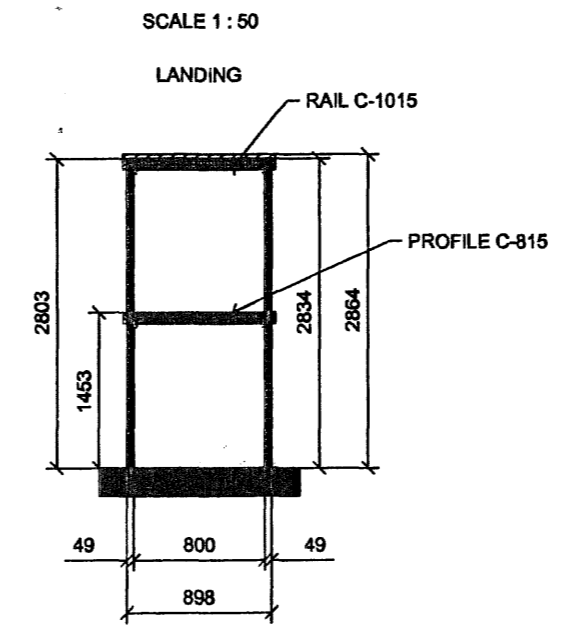


**CHIPBOARD 30**

2250/300	3000/300	3000/300	1320/300
1500/600	3000/600	3000/600	2070/600
2250/600	3000/600	3000/600	1320/600
1500/600	3000/600	3000/600	2070/600
2250/600	3000/600	3000/600	1320/600
1500/600	3000/600	3000/600	2070/600
2250/600	3000/600	3000/600	1320/600
1500/600	3000/600	3000/600	2070/600
2250/350	3000/350	3000/350	1320/350

3000/600	- 14 UN	
2250/600	- 3 UN	
1320/600	1500/600	- 3 UN
1320/350	1500/600	- 1 UN
2070/600	- 4 UN	
2250/300	- 1 UN	
3000/300	- 2 UN	
1320/300	- 1 UN	
2250/350	- 1 UN	
3000/350	- 2 UN	

TOTAL: 32 UN



**Fjarhitun**  
 Páll R. Guðmundsson  
 Kt. 210259-2529

**Fjarhitun**  
 Páll R. Guðmundsson  
 Kt. 210259-2529

MAXIMUM LOAD ON MEZZANINE FLOOR : 500 KG/M2

211256-4579

RELEASE		DRAWN	CHECKED	DATE	INDEX
.113272100_2.jpg		Project: MILLIGOLF GJOTUHRAUN I			
Date	12/03/2007	Quotation	803.827D	00	CUSTOMER'S APPROVAL TO SYSTEM AND MEASURES IN THE DRAWING:
Drawn by	P.Ossowski	Drawing No.	1 of 1		
Checked by	V.Bianco	Permitted load in Kg.	INDICATED		
Scale	1:100				