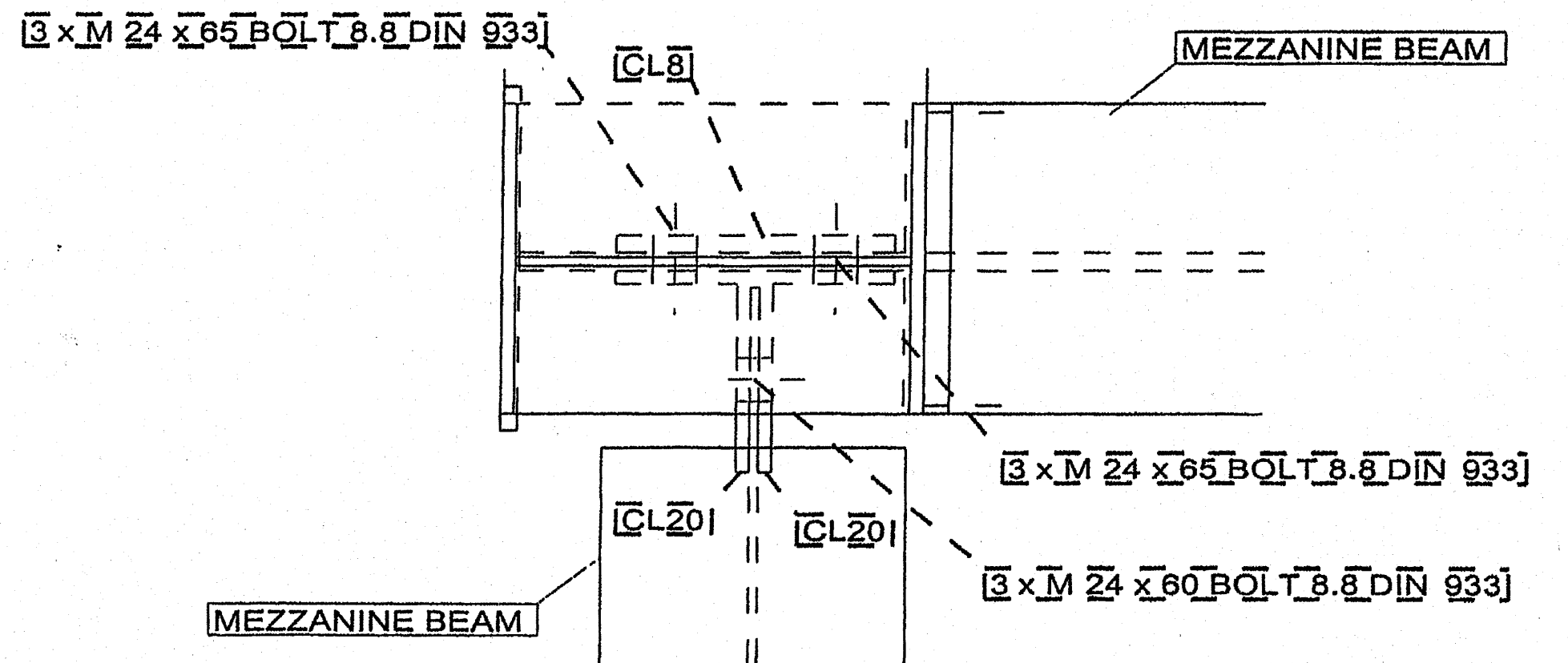
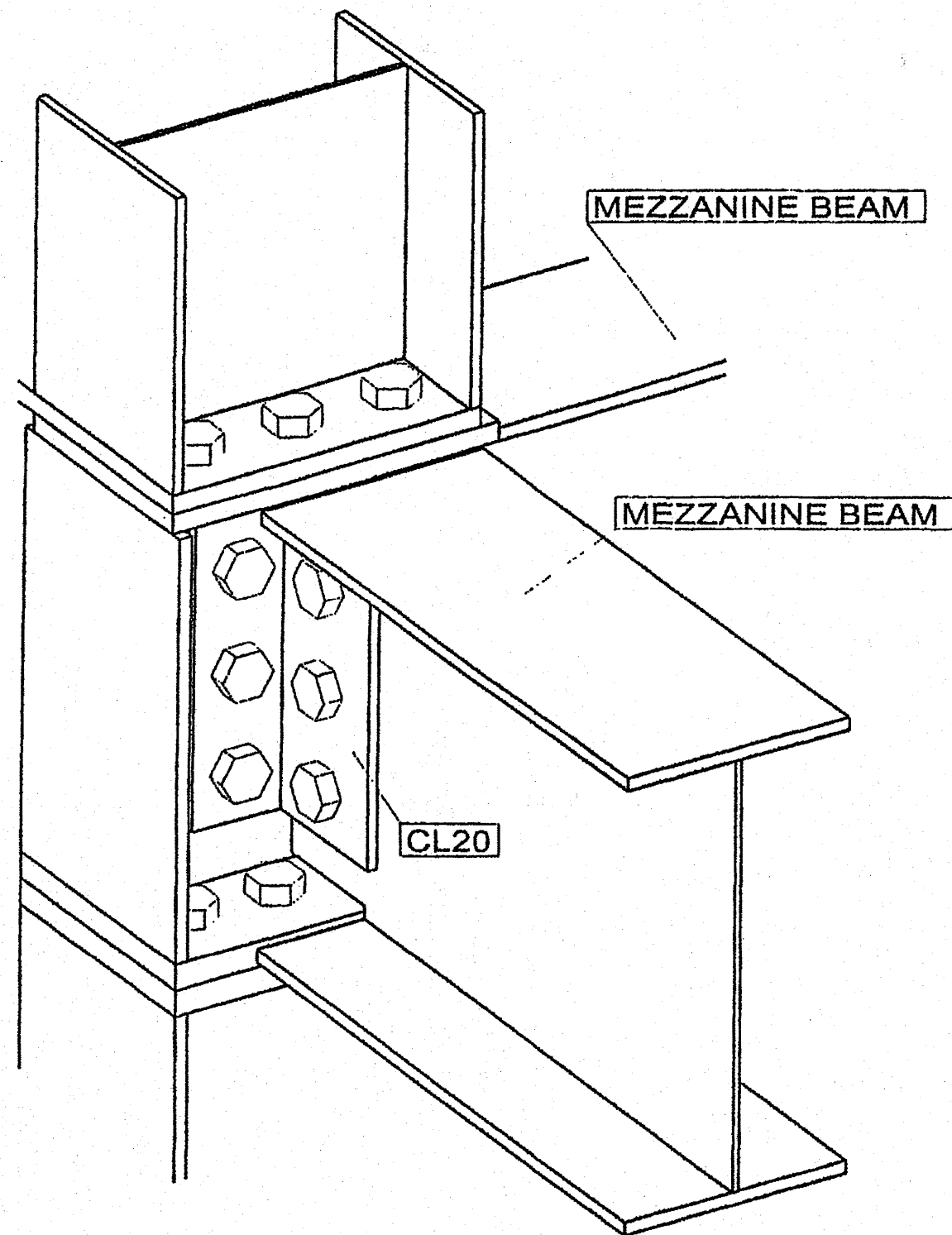


USE M24 x 65 BOLTS AT GL - C & GL - E

USE M24 x 60 BOLTS AT GL - D




NOTE : ALL BOLTS HAVE A NUT (DIN 934)

AND 1 WASHER (DIN 125).

Byggingafulltrúi Hafnarfjardar
Aigreitt barn
10 MAY 2006
V.S.

VEKTOR
Hönnun og ráðgjöf ehf.
KÍ 200896-2429

NO.	REVISION	DATE	SIGNATURE
 Building Systems H-4400 NYÍREGYHÁZA DERKOVITS ÚT 119. TEL.: +36 42 501 310 FAX.: +36 42 312 029	ORDER NAME	DRAWING TITLE	SCALE
	STEINHELLA 5 HAFNARFJORDUR	DETAIL 916	1:5 1:5
		DATE	MADE BY
		27.04.2005	L.H.
		CHECKED BY	
		ORDER No.	DRAWING No.
		2961.1	916
		REV.	