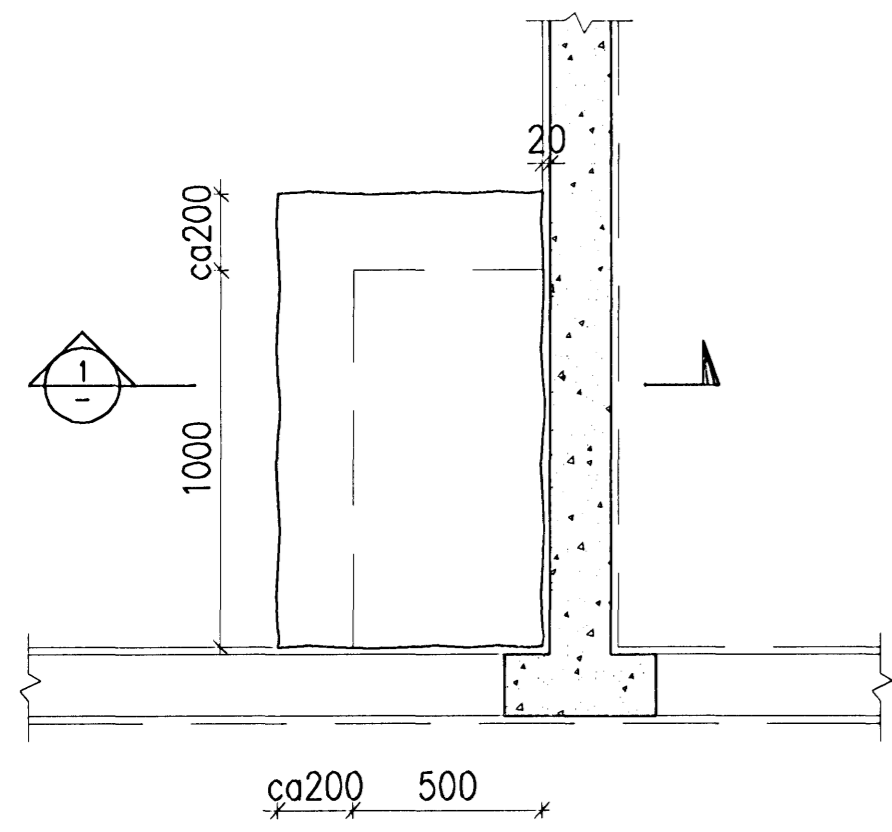
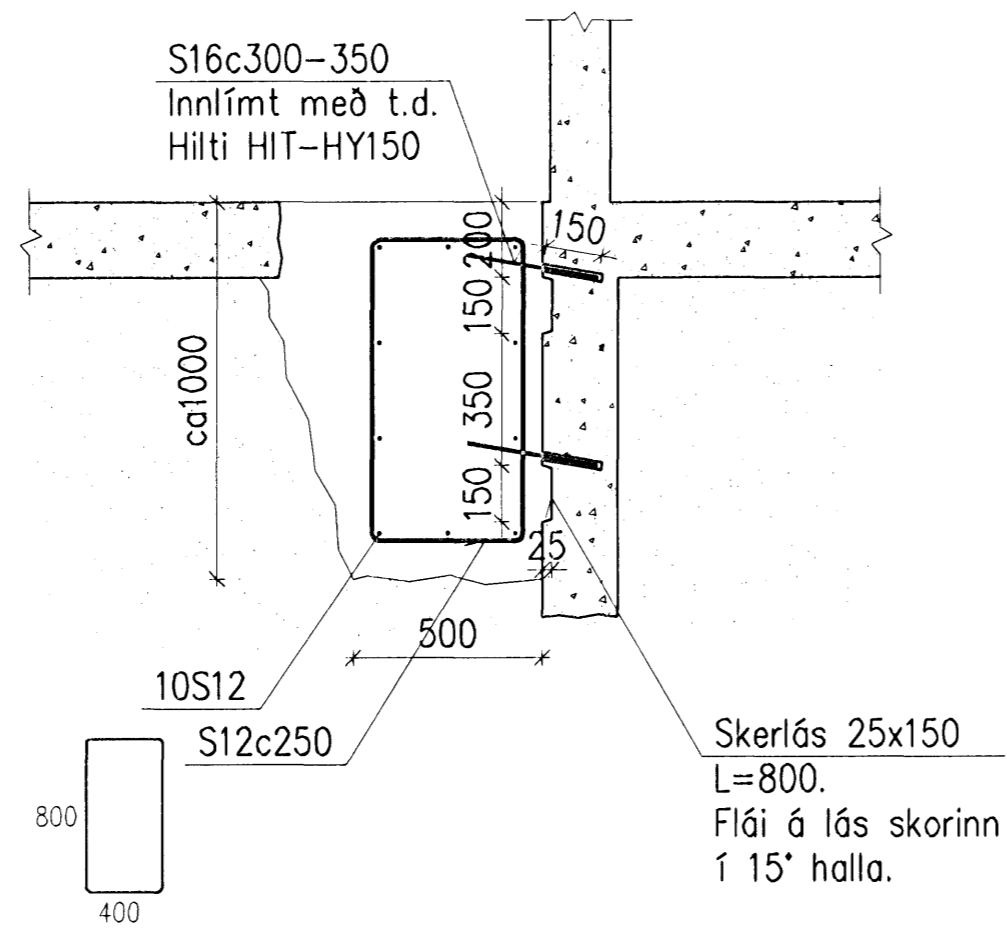


Samþykkt þann
25 APR. 2008
Byggingarfulltrúinn í Hafnarfirði
F.h. Hröifur S. Gunnlaugsson

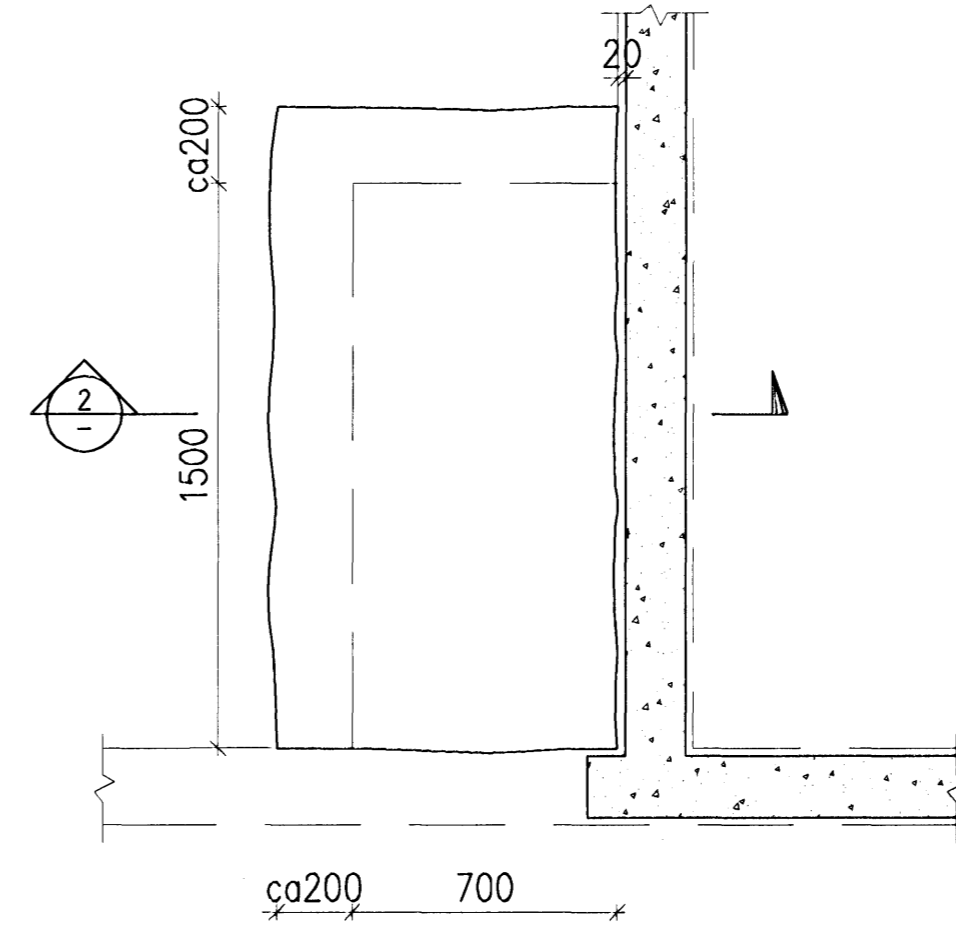
D1 DEILI, 1:20
394



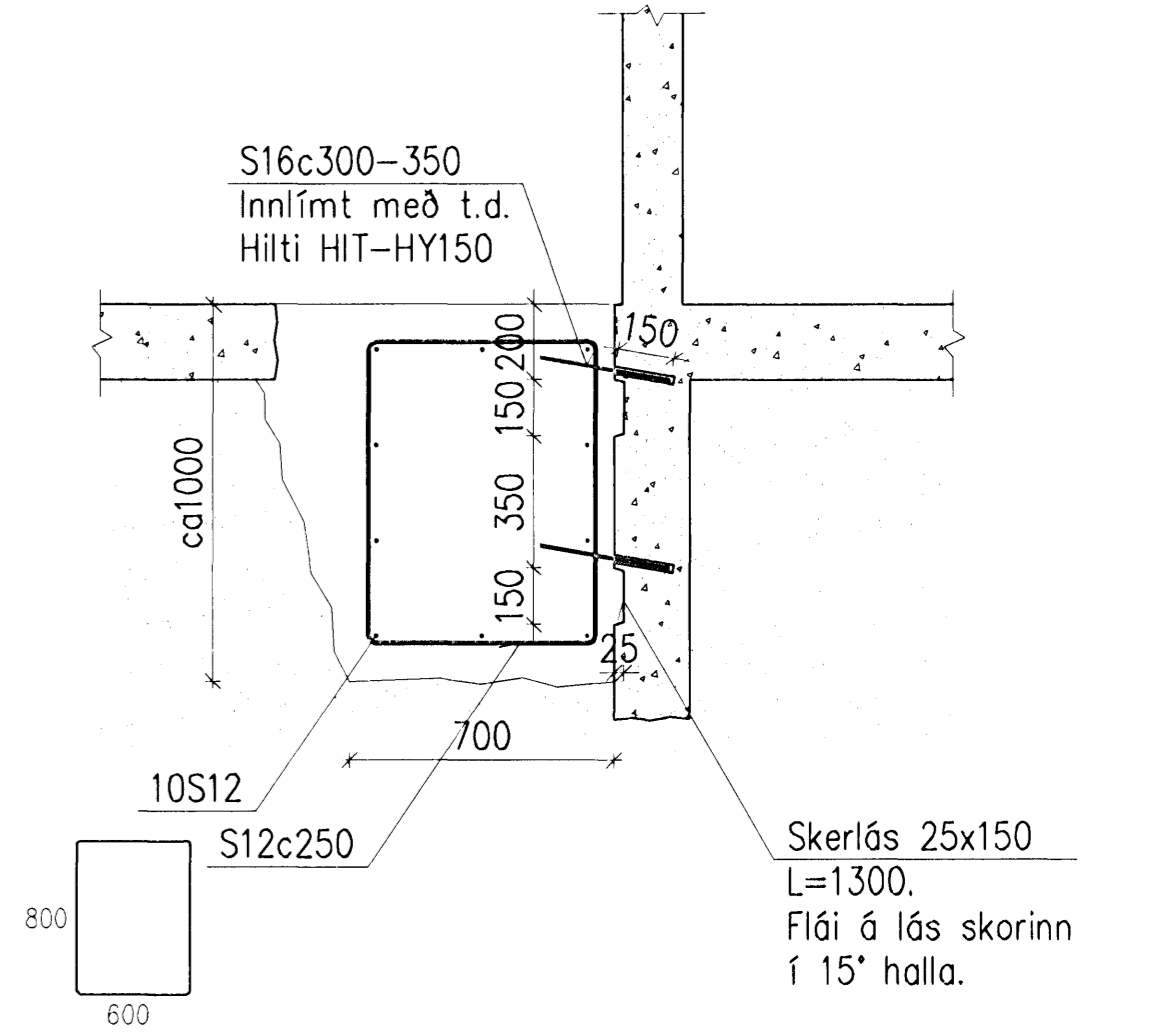
1 SNIÐ, 1:20



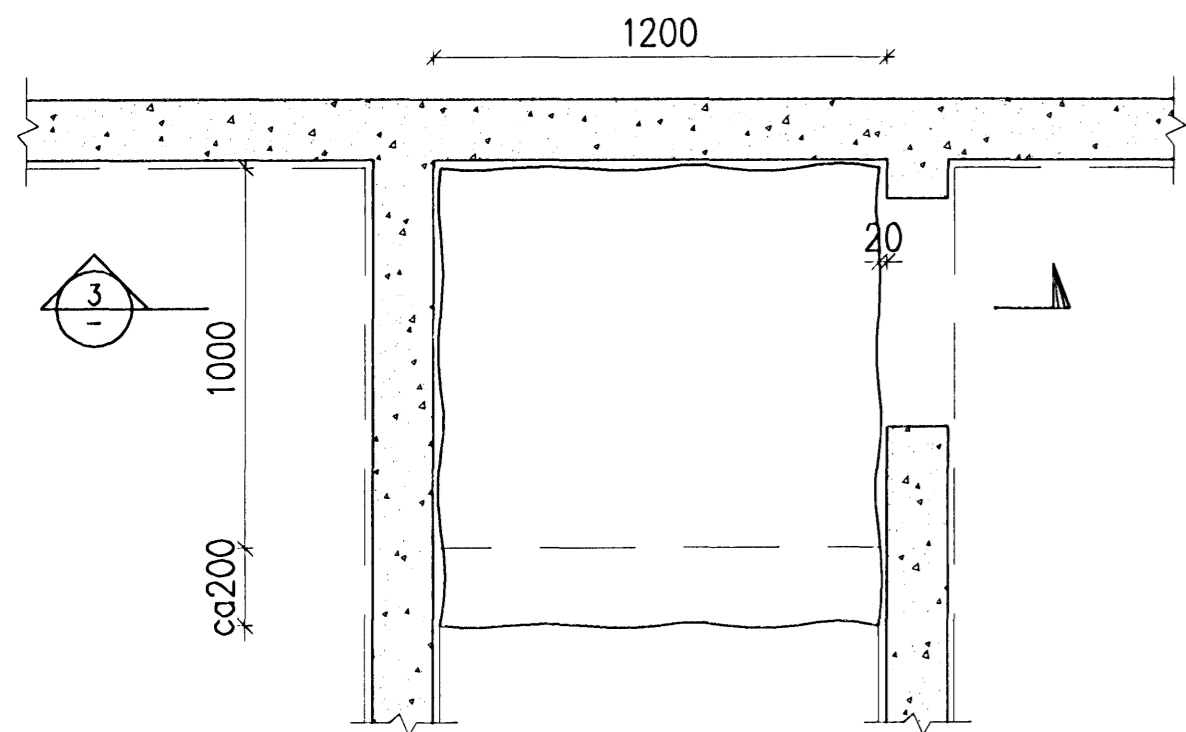
D2 DEILI, 1:20
394



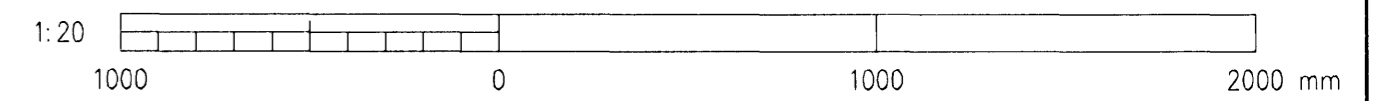
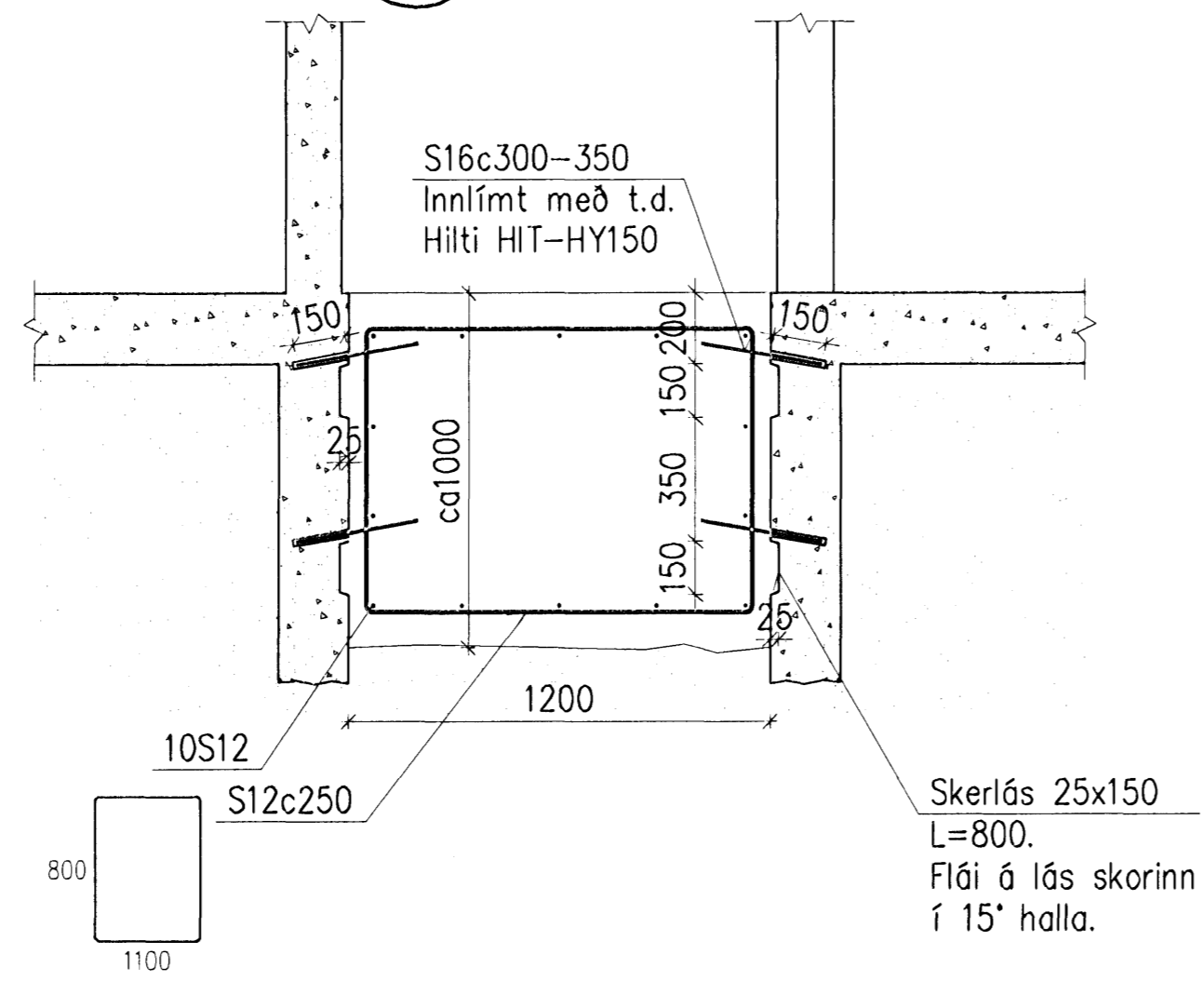
2 SNIÐ, 1:20



D3 DEILI, 1:20
394



3 SNIÐ, 1:20



K:\2006.01\10\24\Teikn\burd\150168.dwg

Skýringar:
Explanations:

This drawing is the property of the Alcan Iceland Ltd. and handed out for personal use only. It may neither be copied nor made available to others without permission of the Alcan Iceland Ltd. The receiver is liable for any misuse.

Fjöldi stykka / Number of pieces	Liður / Object	Átrið / Item	Efni / Material	Mass / Weight	Totals / Total weight	ATHugasemdir / Remarks
1	ISSUED FOR CONSTRUCTION					

Fjöldi stykka / Number of pieces	Liður / Object	Átrið / Item	Efni / Material	Mass / Weight	Totals / Total weight	ATHugasemdir / Remarks
1	ADALVERKSTÆÐI STYRKING BURÐARVIKJA DEILI OG SNIÐ				7410	Scale 1:20
veikja / Supplier VST hf. F.h. VST hf. Nils Indriðsson 181144-3949						Tekna- / Drawn / 2006.0110/24.03
teiknað / Drawn N/LDB FEB. 2008						Yfirferð / HFB
ALCAN PRIMARY METAL EUROPE Alcan Iceland Ltd						Forma- / 150168

VST Verkfræðistofa
Sigurður Thorodsson M.
Sveinsson & Thorodsson, Hólavörðunni 158, 1000, Reykjavík, Ísland. Fón: 568 3000

Tilv. /
Ref. no. of ISAL

Samb. /
Assembly no. of ISAL

