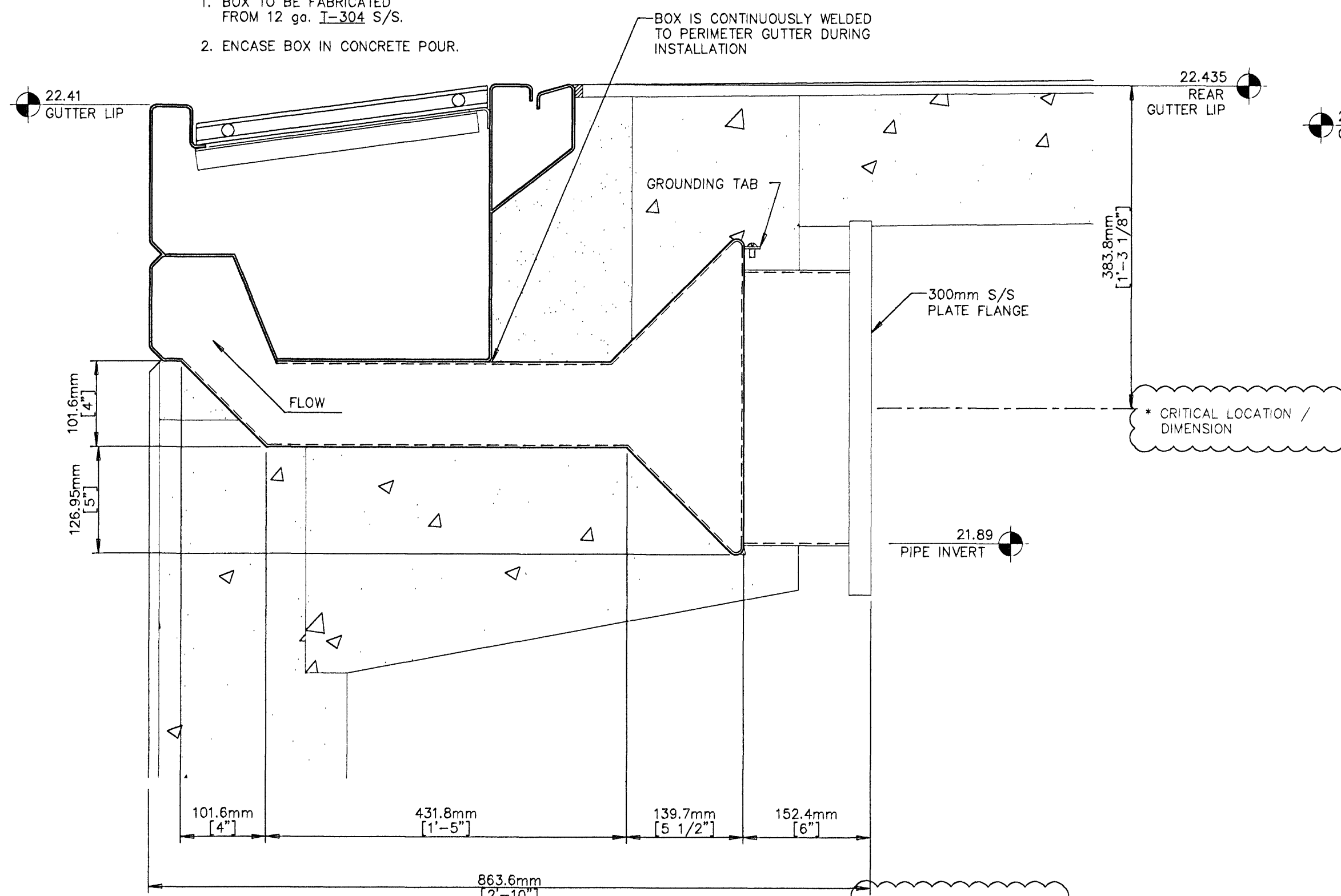
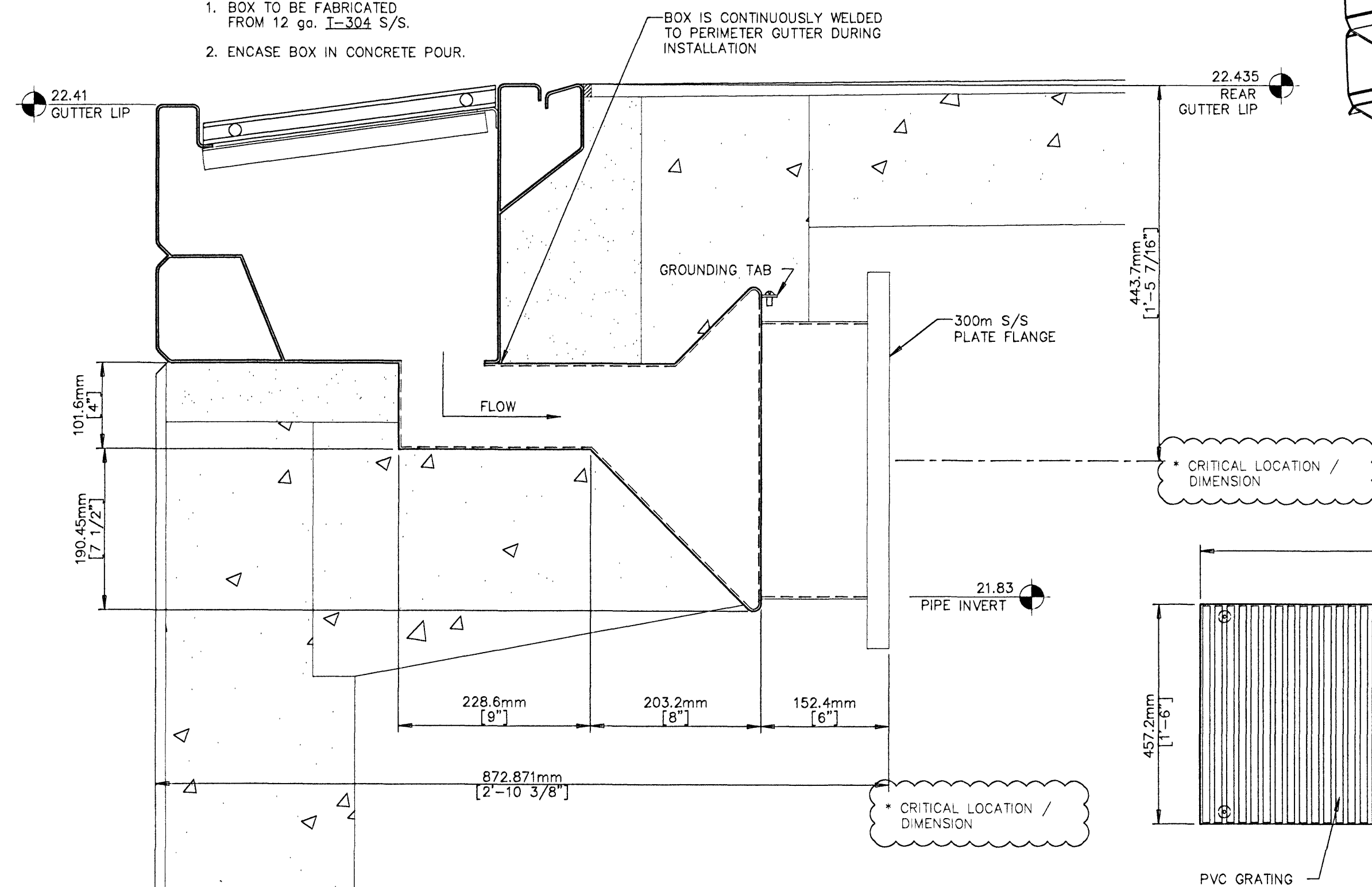


- NOTES:
 1. BOX TO BE FABRICATED FROM 12 ga. I-304 S/S.
 2. ENCASE BOX IN CONCRETE POUR.

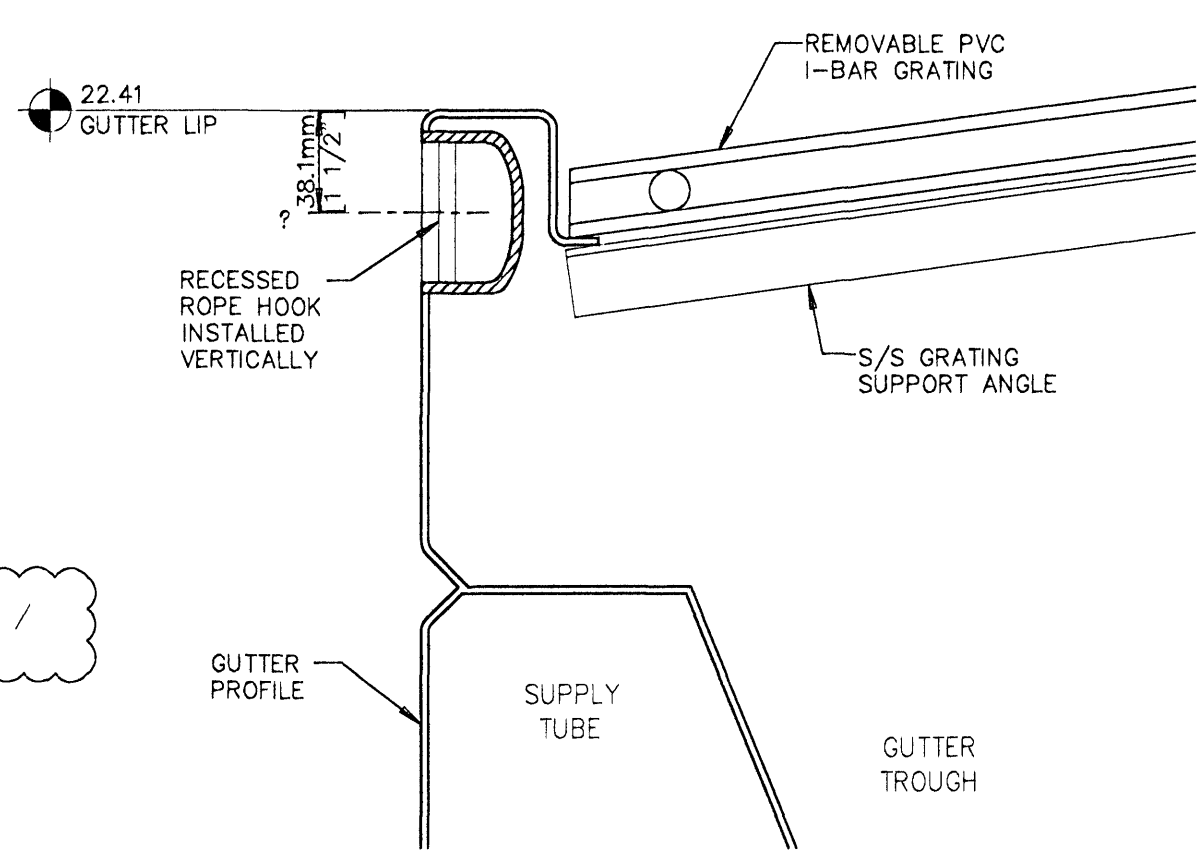


300mm SUPPLY CONVERTER BOX
 QTY: 2 REQ'D.

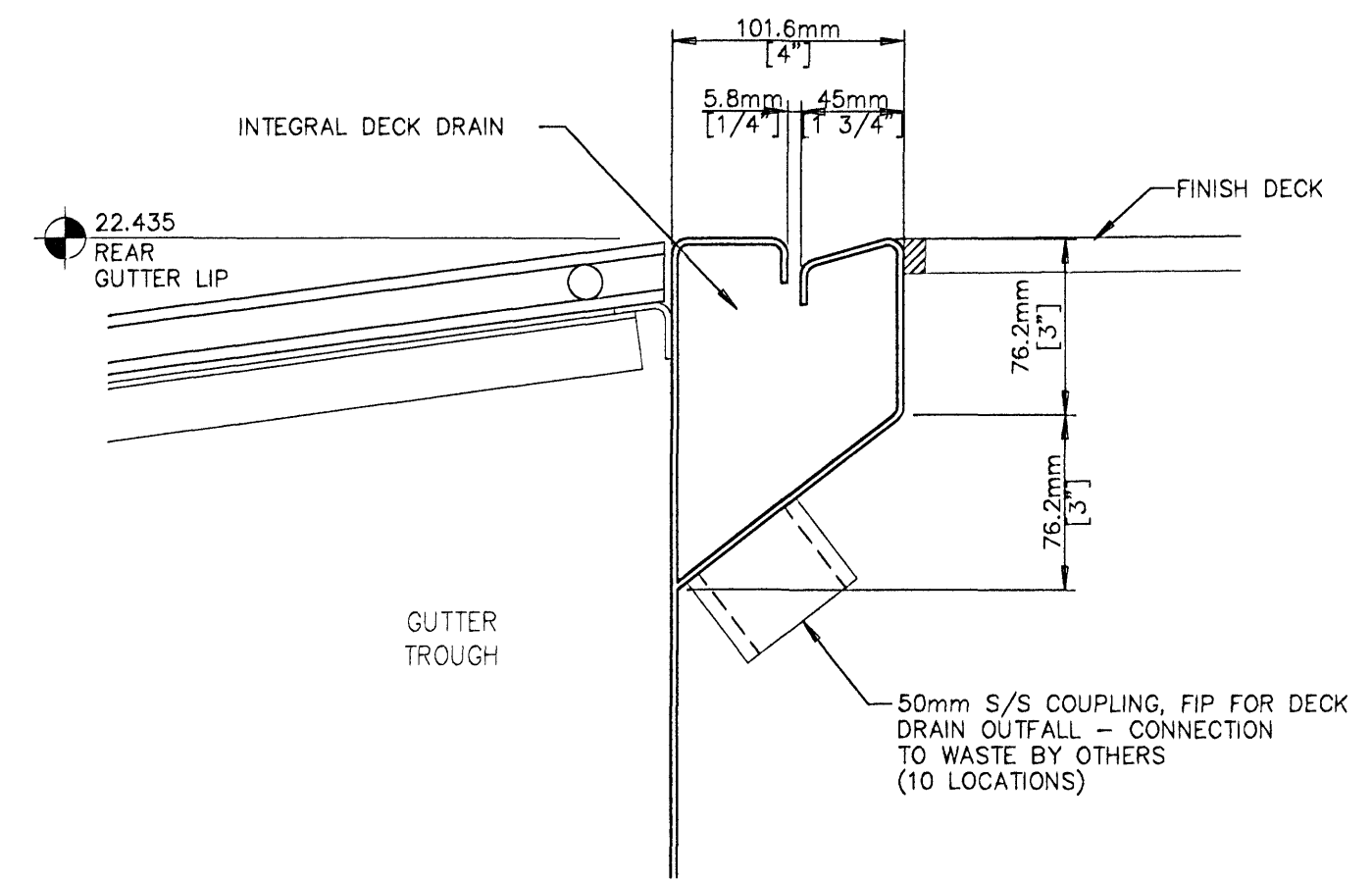
- NOTES:
 1. BOX TO BE FABRICATED FROM 12 ga. I-304 S/S.
 2. ENCASE BOX IN CONCRETE POUR.



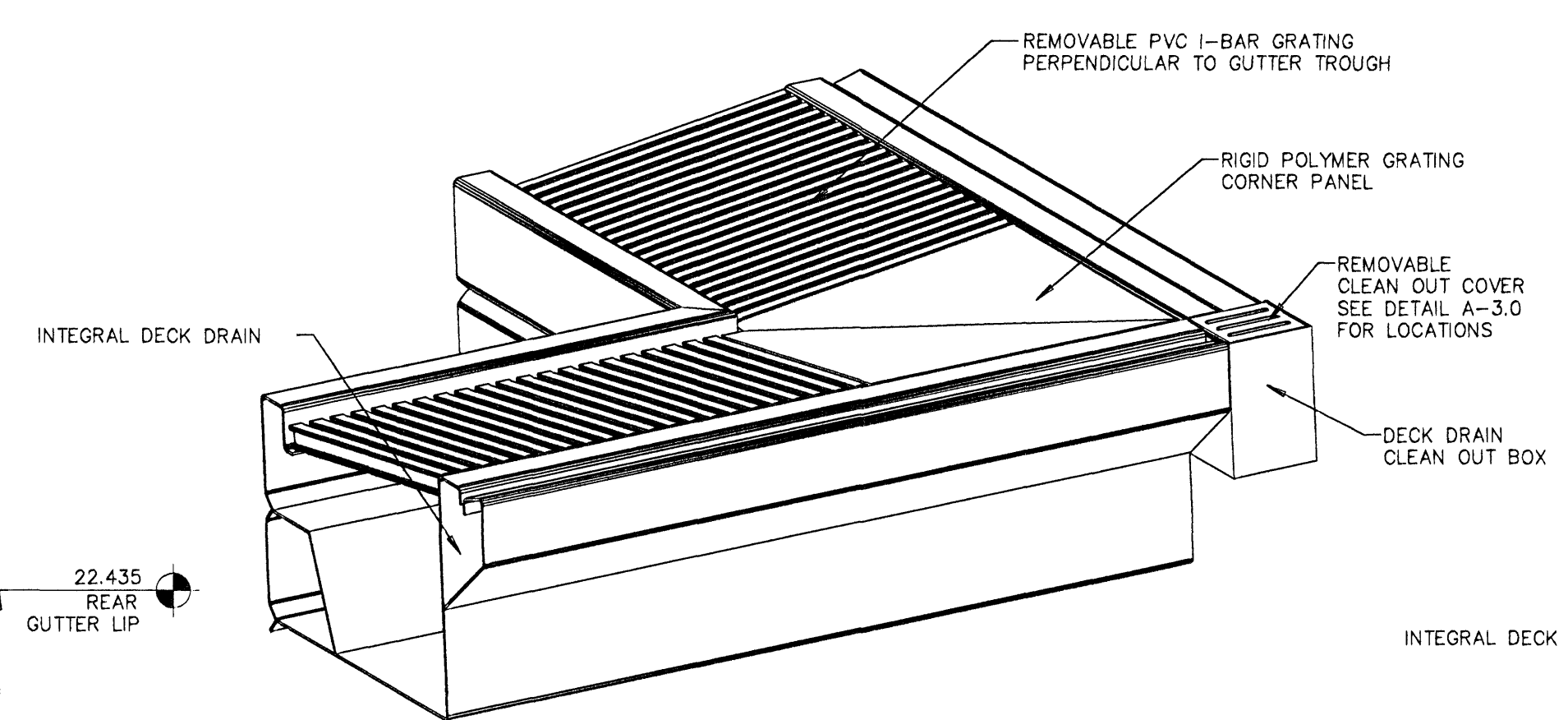
300mm GUTTER COLLECTOR BOX
 QTY: 4 REQ'D.



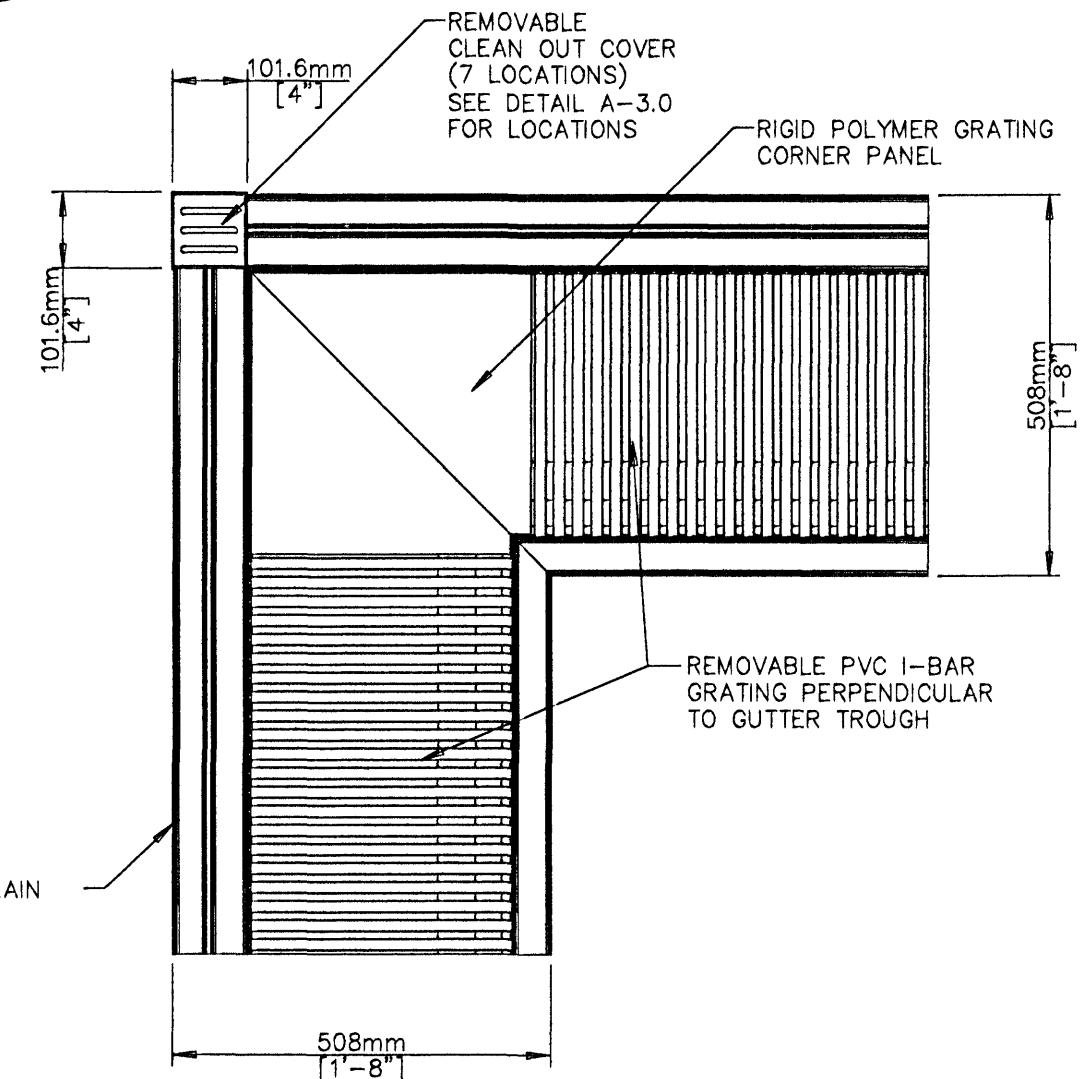
STAINLESS STEEL RECESSED ROPE HOOK
 QTY: 34 REQ'D.



INTEGRAL DECK DRAIN

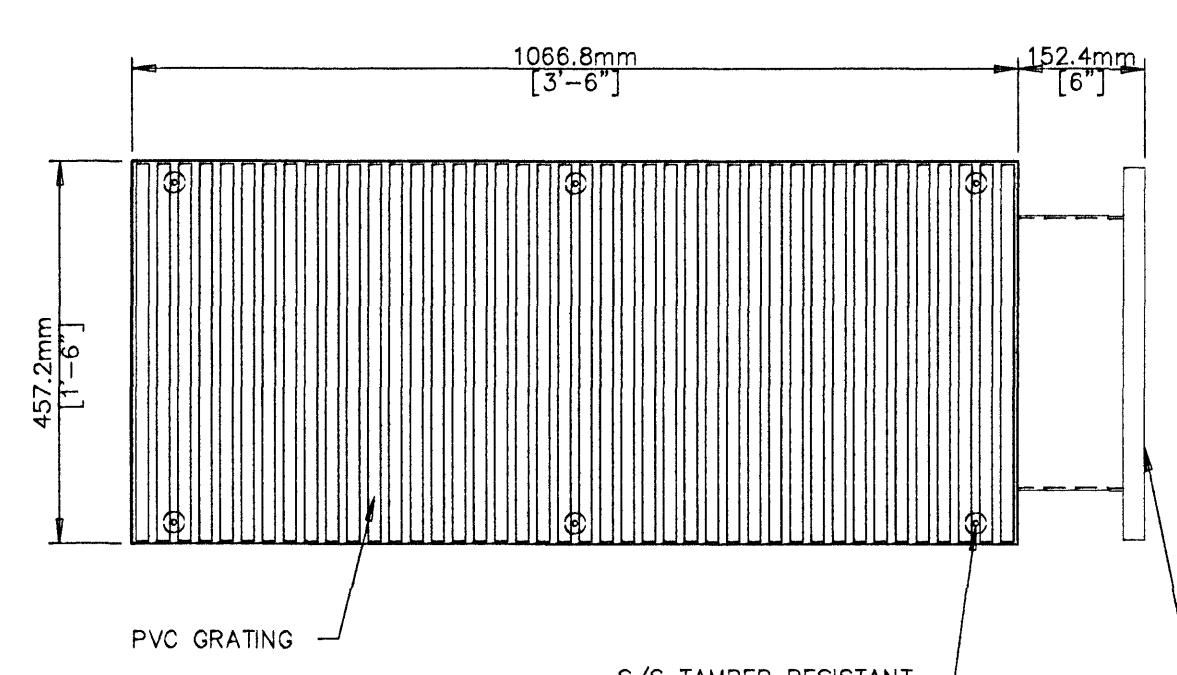


TYPICAL CORNER DETAIL

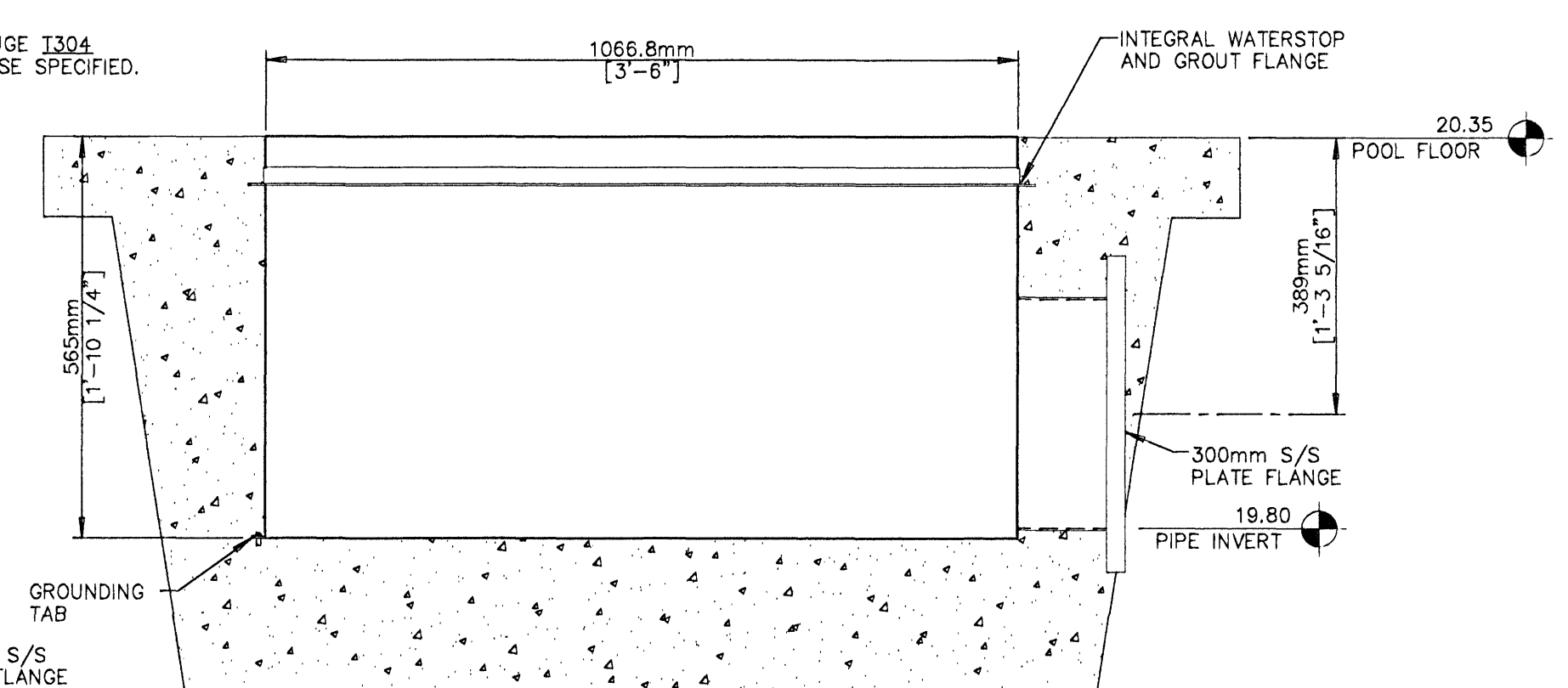


TYPICAL CORNER DETAIL

NOTE: MAIN DRAIN TO BE CONSTRUCTED OF 12 GAUGE I304 STAINLESS STEEL MATERIAL UNLESS OTHERWISE SPECIFIED.



STAINLESS STEEL MAIN DRAIN
 QTY: 4 REQ'D.



- Do not scale drawings. Refer to or request specific dimensions.
- Specific dimensions are assumed to be accurate. However, do not use for construction unless verified and certified.
- Dimensions and details are subject to change without notice unless drawings are certified.
- For clarity or reference, certain equipment or areas of construction may be shown. Do not assume all items or work illustrated on these drawings to be furnished by Natore Corporation. Refer to equipment schedule or scope of work for specific details.
- When related work or equipment is shown, such illustration is for information or clarity only. Always refer to appropriate documents for specific details or instructions.

Sundmidstod
Iceland

Samþykkt þann
07 MAI 2008
Byggingarfulltrúinn í Hafnarfirði
F.h. Hröfur S. Gunnlaugsson

Kl. 110457-2789

Strendingur ehf.
Fjarbergsgata 13-15 • 2201 Hafnarfjarður
Sími 565 5640 • strendingur@strendingur.is
www.strendingur.is

NO.	DESCRIPTION	DATE
REVISIONS		



5905 W. 74th Street
Indianapolis, IN 46278-1786
(317)290-8828
Fax: (317)290-8998

These drawings and the ideas, concepts, illustrations and written information represented hereby are the property of Natore Corporation and shall not be distributed, copied, reproduced, or utilized in any manner except upon the express written consent of Natore Corporation. The recipient hereby acknowledges the confidential and proprietary nature of these drawings and conveys Natore Corporation's interest therein and agrees not to use these drawings or the ideas and concepts depicted herein except for the fabrication of the articles depicted herein for and on the behalf of Natore Corporation.

© 2007 NATORE CORPORATION

PAGE TITLE:
50m COMPETITION POOL DETAILS

DATE: 10/5/07	
FILE: 50m Competition Pool.dwg	
LAYOUT: 50m Competition Pool Details.rvt	
DRAWN BY: SAL	
CHECKED BY: MTW	
PROJECT NO.:	SHEET NO.:
	3.3