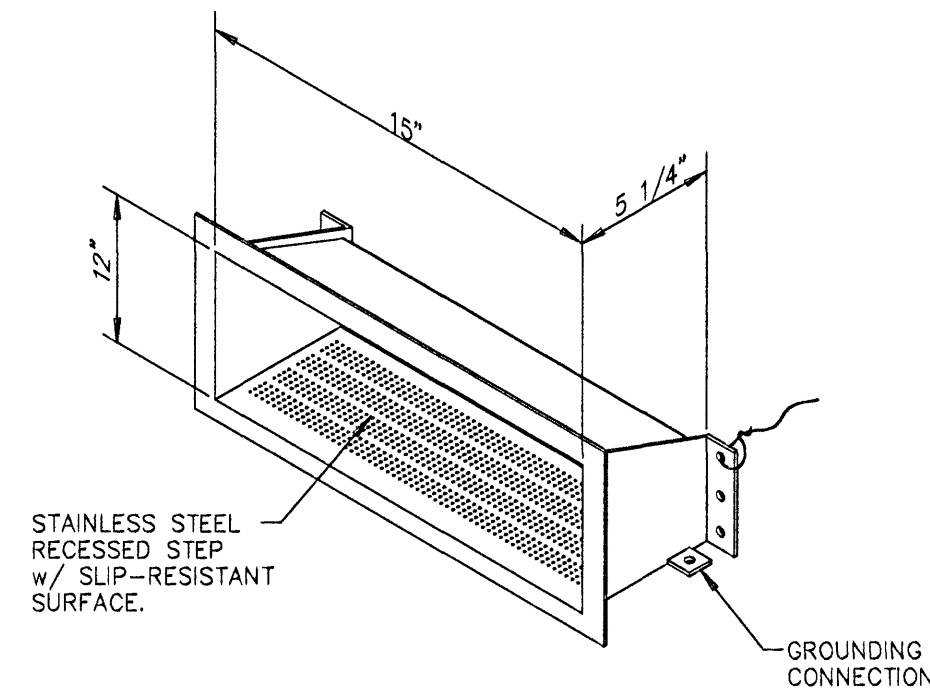
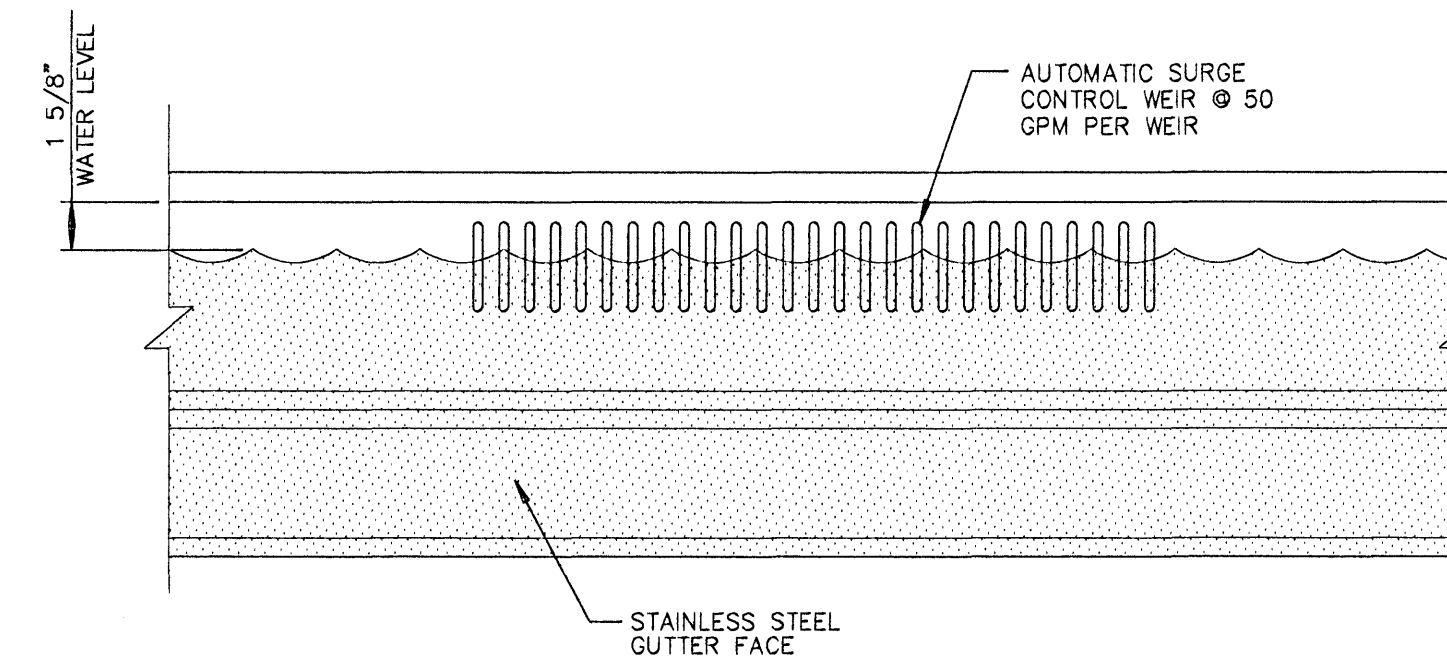


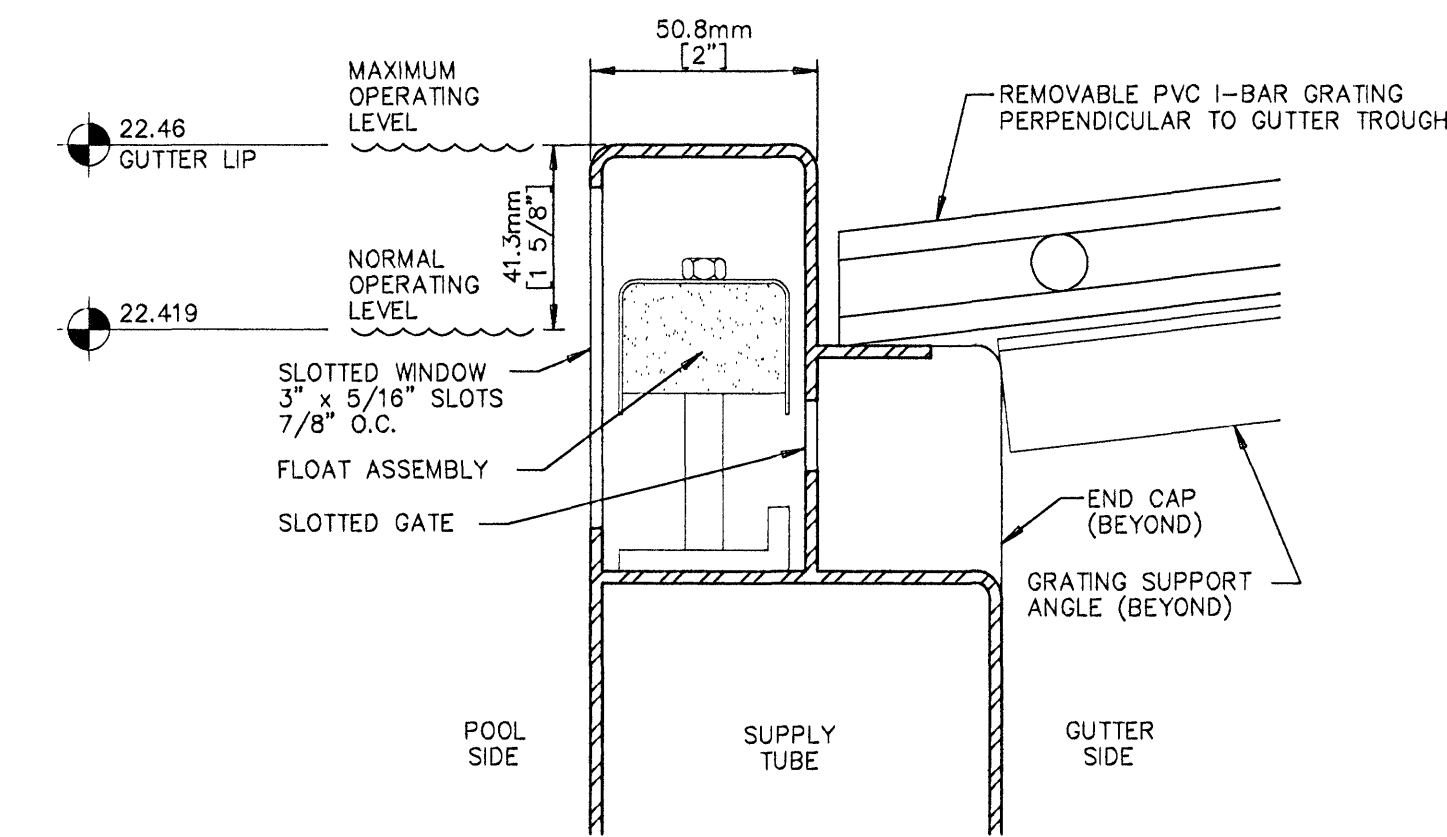
A
4.4
IN-WALL RECESSED STEPS
QTY.: 5 STEPS REQ'D.



B
4.4
STAINLESS STEEL RECESSED STEP w/ SLIP-RESISTANT SURFACE.
GROUNDING CONNECTION



B
4.4
ELEVATION AT MS-1000 WEIR FACE
QTY.: 8 REQ'D.
SEE SHEET 4.0 FOR LOCATIONS



C
4.4
AUTOMATIC SURGE CONTROL ASSEMBLY
QTY.: 8 REQ'D.
SEE SHEET 4.0 FOR LOCATIONS

1. Do not scale drawings. Refer to or request specific dimensions.
2. Specific dimensions are assumed to be accurate. However, do not use for construction unless verified and certified.
3. Dimensions and details are subject to change without notice unless drawings are certified.
4. For clarity or reference, certain equipment or areas of construction may be shown. Do not assume all items or work illustrated on these drawings to be furnished by Nature Corporation. Refer to equipment schedule or scope of work for specific details.
5. When related work or equipment is shown, such illustration is for information or clarity only. Always refer to appropriate documents for specific details or instructions.

Sundmidstod
Iceland

Samþykkt þann
07 MAI 2008
Byggingarfulltrúinn í Hafnarfirði
F.h. Hrólfur S. Gunnlaugsson

Kt. 110457-278
Ströndingur ehf.
VASKI- og VASKI-
Flanngætt 13-15, 240 Hafnarforður
Sími 595 5040 | ströndingur@ströndingur.is
www.ströndingur.is

UPDATED RECESSED STEPS DETAIL 10/2/07		
NO.	DESCRIPTION	DATE
REVISIONS		



5905 W. 74th Street
Indianapolis, In 46278-1788
(317)290-8828
Fax:(317)290-9998

These drawings and the ideas, concepts, illustrations and written information represented hereby are the property of Nature Corporation and shall not be distributed, copied, reproduced, or utilized in any manner except upon the expressed written consent of Nature Corporation. The recipient hereby acknowledges the confidential and proprietary nature of these drawings and documents and agrees not to use these drawings or the ideas and concepts depicted herein except for the fabrication of the unit as depicted herein for and on the behalf of Nature Corporation.

© 2007 NATARE CORPORATION

PAGE TITLE:
TRAINING POOL DETAILS

DATE: 10/5/07

FILE: Training Pool.dwg

LAYOUT: Training Pool Details (3)

DRAWN BY: SAL

CHECKED BY: MTW

PROJECT NO.:

SHEET NO.:

4.4