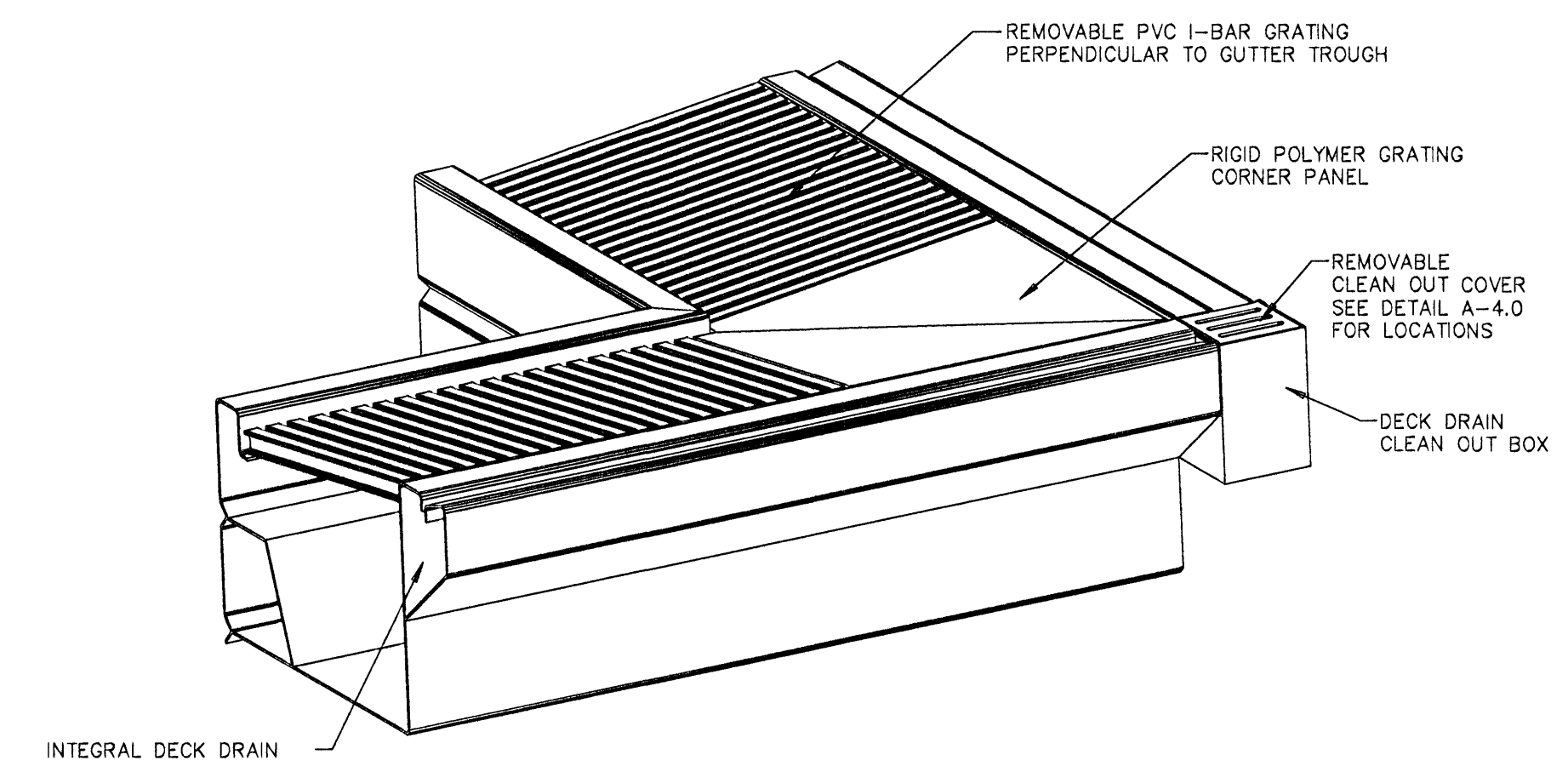
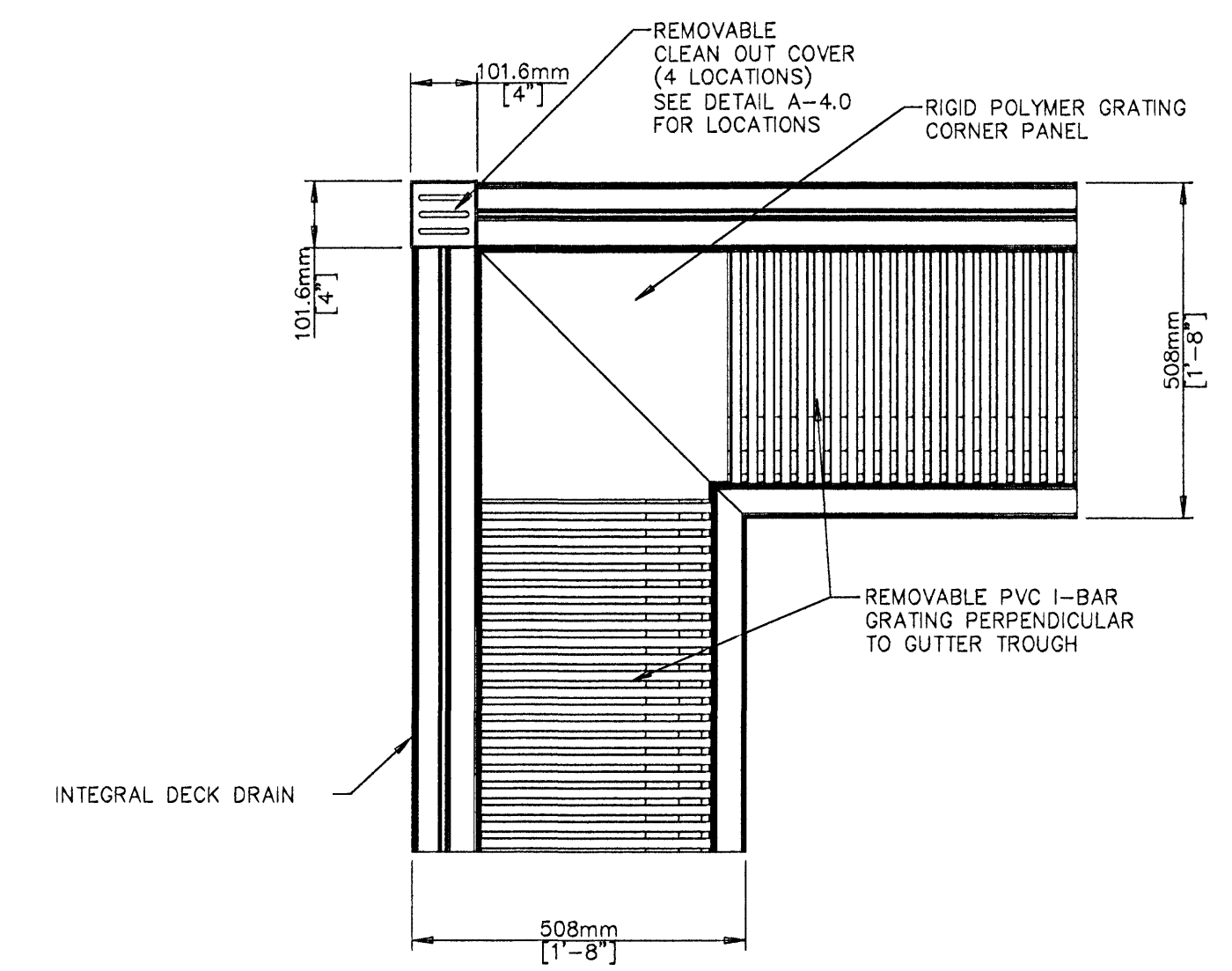


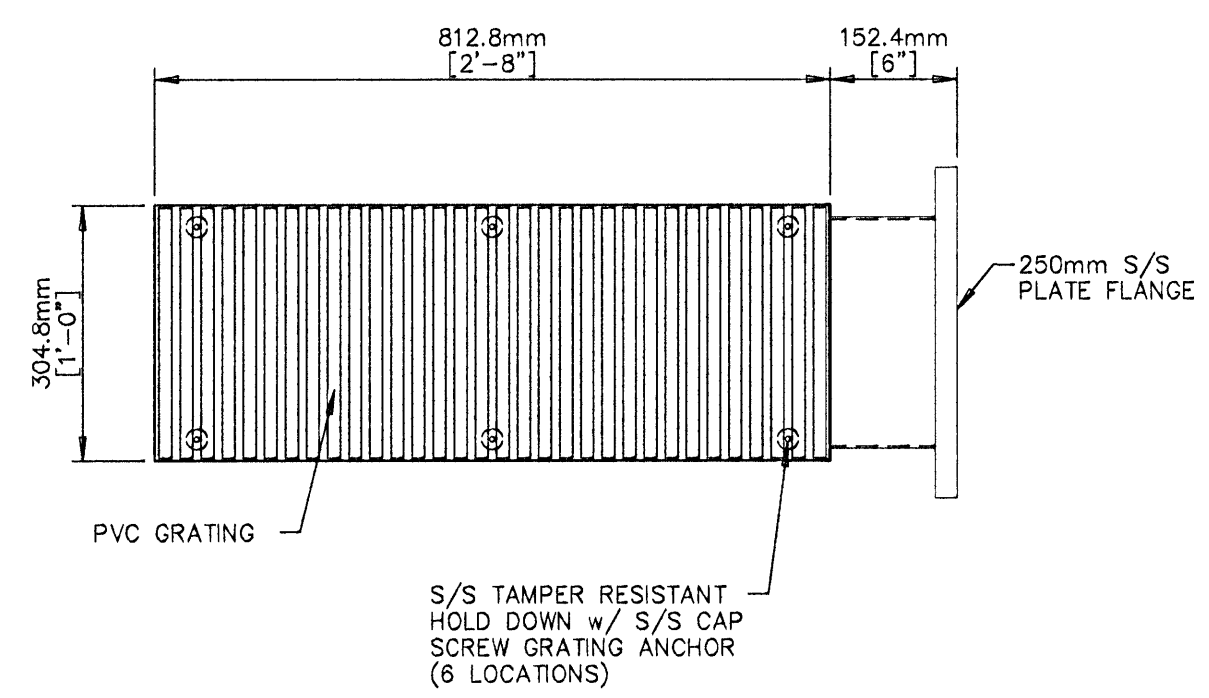
**A**  
4.3  
INTEGRAL DECK DRAIN



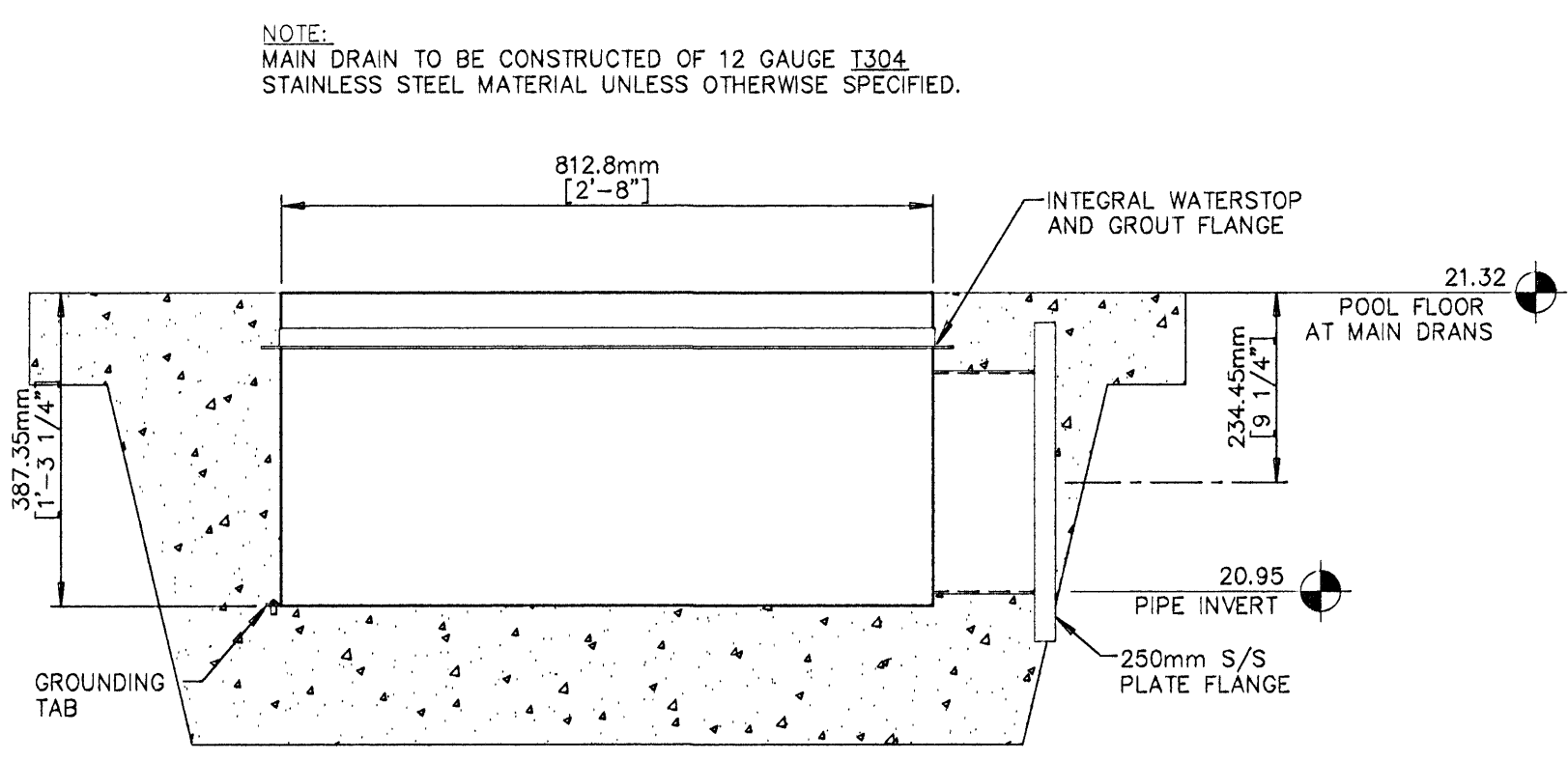
**C**  
4.3  
TYPICAL CORNER DETAIL



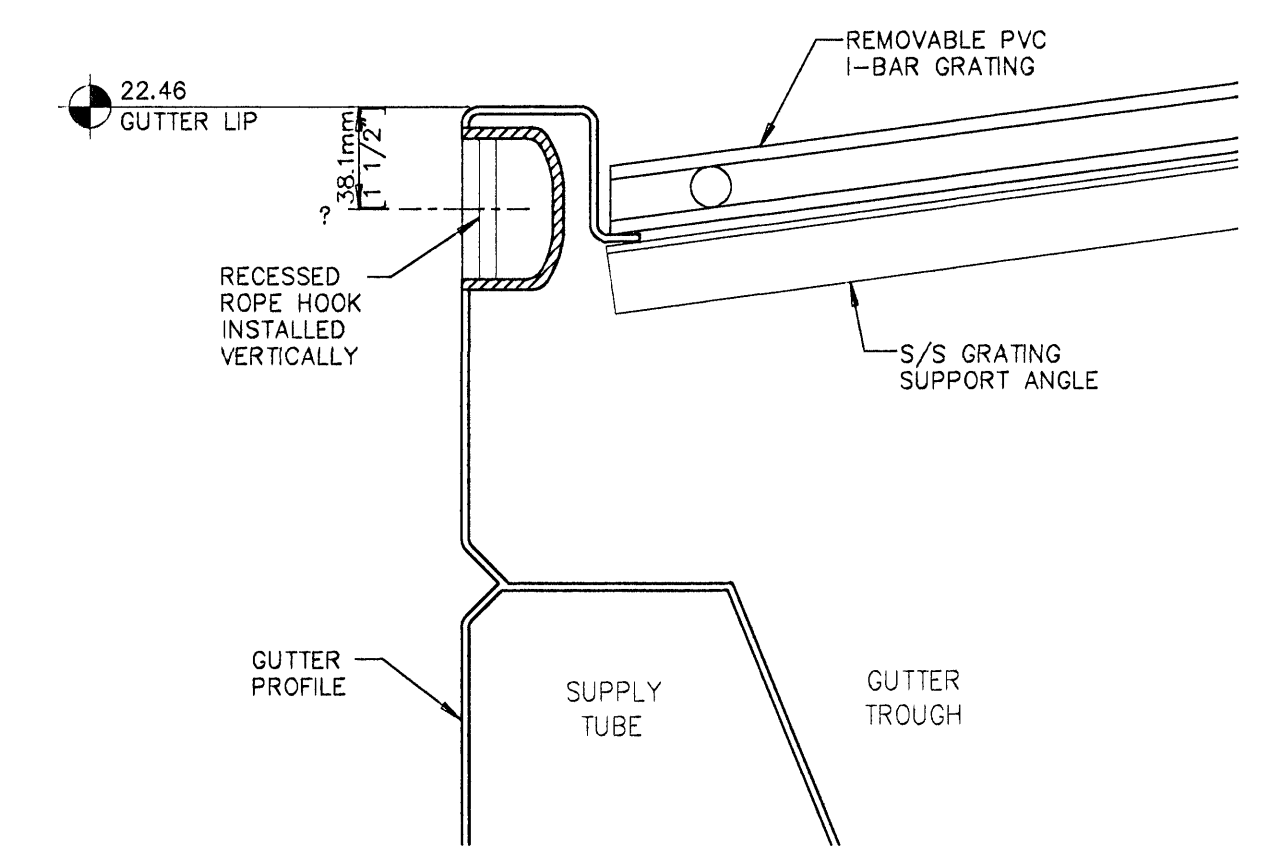
**D**  
4.3  
TYPICAL CORNER DETAIL



**B**  
4.3  
STAINLESS STEEL MAIN DRAIN  
QTY.: 4 REQ'D.  
(2) MAIN DRAINS, (2) SUCTION BOXES



NOTE:  
MAIN DRAIN TO BE CONSTRUCTED OF 12 GAUGE I304 STAINLESS STEEL MATERIAL UNLESS OTHERWISE SPECIFIED.



**E**  
4.3  
STAINLESS STEEL RECESSED ROPE HOOK  
QTY.: 8 REQ'D.

1. Do not scale drawings. Refer to or request specific dimensions.
2. Specific dimensions are assumed to be accurate. However, do not use for construction unless verified and certified.
3. Dimensions and details are subject to change without notice unless drawings are certified.
4. For clarity or reference, certain equipment or areas of construction may be shown. Do not assume all items or work illustrated on these drawings to be furnished by Nature Corporation. Refer to equipment schedule or scope of work for specific details.
5. When related work or equipment is shown, such illustration is for information or clarity only. Always refer to appropriate documents for specific details or instructions.

Sundmidstod  
Iceland

Samþykkt þann  
07 MAI 2008  
Byggingarfulltrúinn í Hafnarfirði,  
F.h. Hrólfur S. Gunnlaugsson

*Dr. Einar*  
Kr. 110457-2789

**Strendingur ehf.**  
verkfæðingur  
Fjarlægju 13-15 • 220 Hafnarfirður  
Sími 565 5640 • strendingur@strendingur.is  
www.strendingur.is

NO.	DESCRIPTION	DATE
REVISIONS		



**NATURE CORPORATION**  
5905 W. 74th Street  
Indianapolis, In 46278-1788  
(317)290-8828  
Fax:(317)290-9998

These drawings and the ideas, concepts, illustrations, and written information represented thereby are the property of Nature Corporation and shall not be distributed, copied, reproduced, or utilized in any manner except upon the expressed written consent of Nature Corporation. The recipient hereby acknowledges the confidential and proprietary nature of these drawings and acknowledges Nature's proprietary interest therein and agrees not to use these drawings or the idea and concepts depicted herein except for the fabrication of the articles depicted herein for and on the behalf of Nature Corporation.

© 2007 NATURE CORPORATION

PAGE TITLE:  
**TRAINING POOL DETAILS**

DATE: 10/5/07  
FILE: Training Pool.dwg  
LAYOUT: Training Pool Details (2)  
DRAWN BY: SAL  
CHECKED BY: MTW  
PROJECT NO.: SHEET NO.:  
4.3