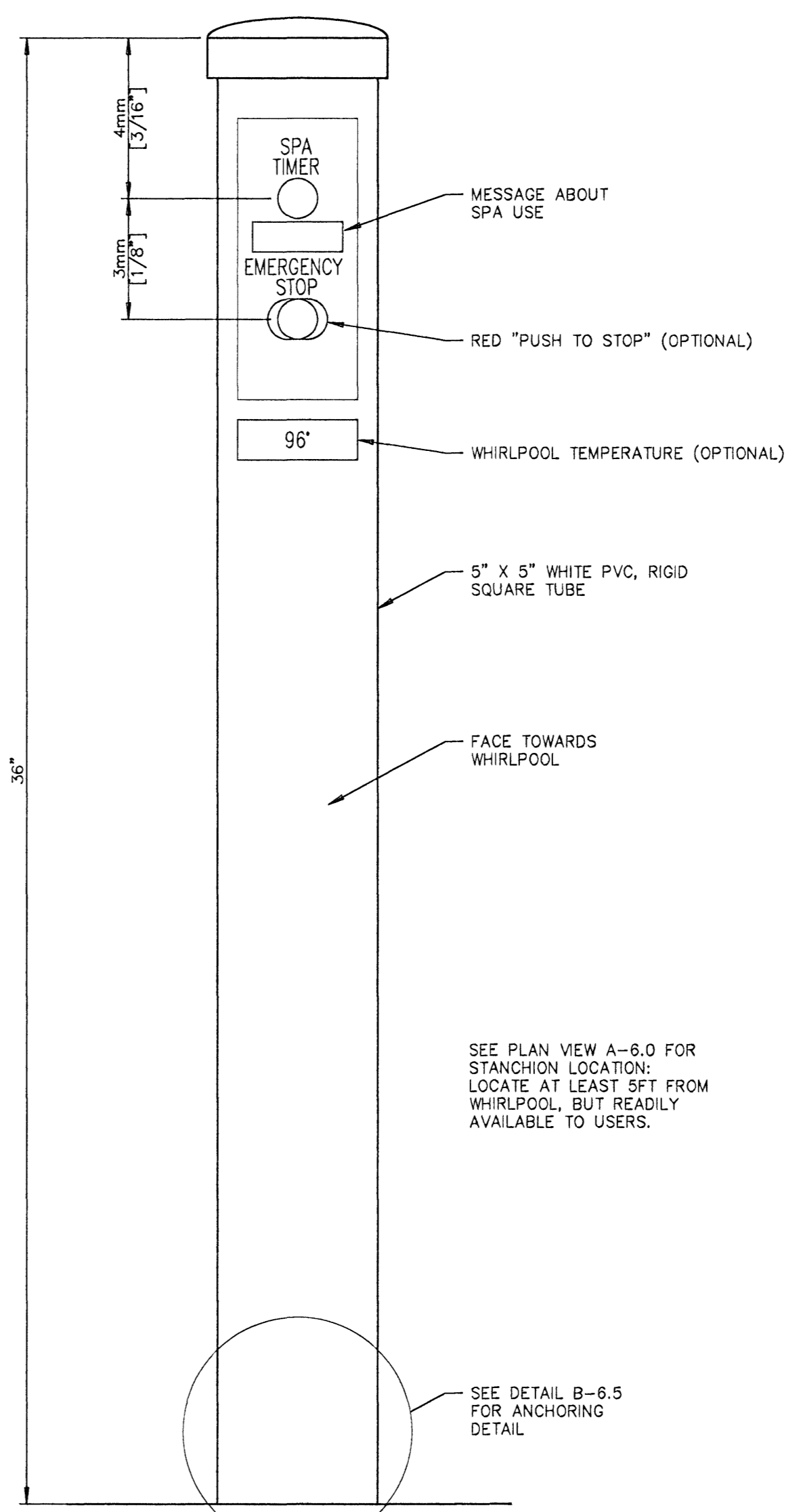
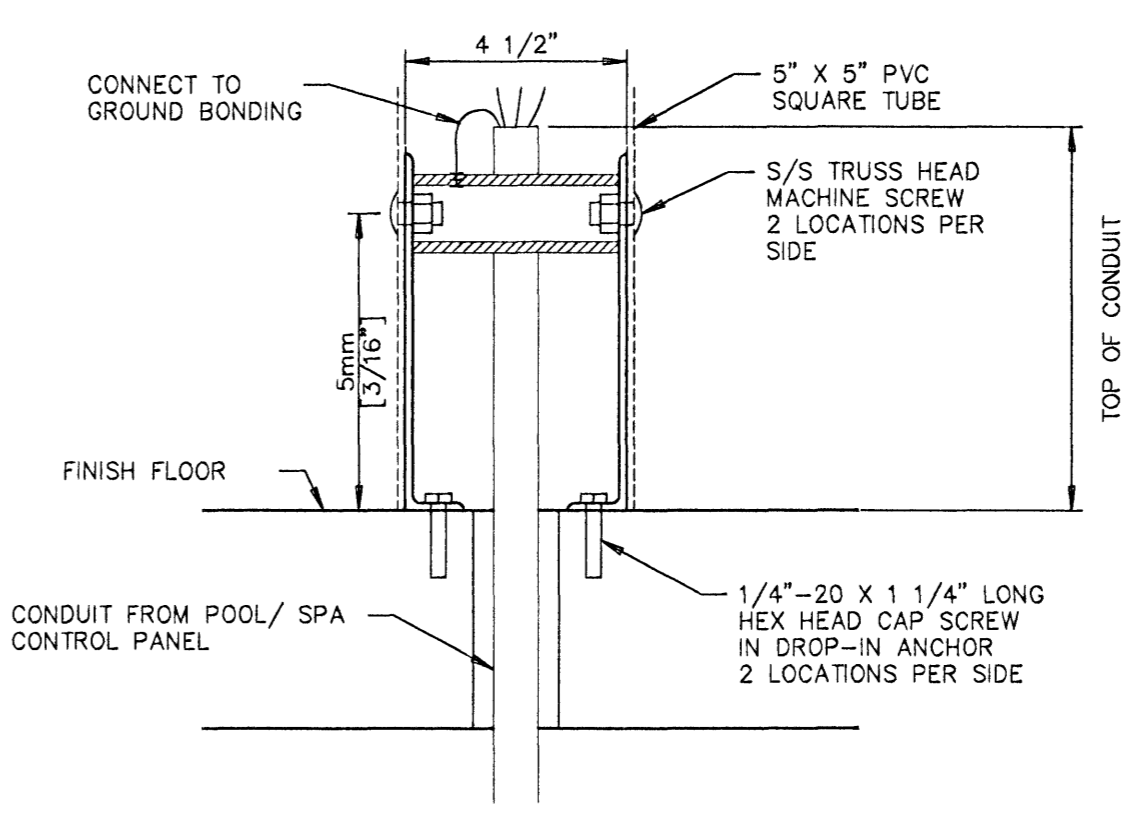


THEORY OF OPERATION

- 1) Pressing "Spa Timer" button engages spa blower and jet circulating pump for a designated period of time, which can be adjusted at the main spa control system panel.
- 2) Pressing red "Push to Stop" button stops all pumps and blowers. An alarm output is also provided. Control must be overridden at main spa control panel before any pump or blower can be started.
- 3) Temperature Sensor (Optional) directly reads spa temperature and provides a visual display of temperature in spa. If temperature exceeds upper limit set point, an alarm output is provided and a contact opens to disable any heating equipment.



A
6.5
WHIRLPOOL TIMER AND EMERGENCY SHUT-OFF PYLON



B
6.5
WHIRLPOOL CONTROL PYLON MOUNTING DETAIL

1. Do not scale drawings. Refer to or request specific dimensions.
2. Specific dimensions are assumed to be accurate. However, do not use for construction unless verified and certified.
3. Dimensions and details are subject to change without notice unless drawings are certified.
4. For clarity or reference, certain equipment or areas of construction may be shown. Do not assume all items or work illustrated on these drawings to be furnished by Nature Corporation. Refer to equipment schedules or scope of work for specific details.
5. When related work or equipment is shown, such illustration is for information or clarity only. Always refer to appropriate documents for specific details or instructions.

Sundmidstod
Iceland

Samþykkt þann
07 MAI 2008
Byggingarfulltrúinn í Hafnarfirði
F.h. Hrölfur S. Gunnlaugsson

[Signature]
Kt. 110457-2789

Strengingur ehf.
Félagsnúmer 13147889
Sími 895 9540 vaxandi@strengingur.is
www.strengingur.is

NO.	DESCRIPTION	DATE
REVISIONS		

NATURE CORPORATION
5005 W. 74th Street
Indianapolis, In 46278-1788
(317)290-8828
Fax: (317)290-9998

These drawings and the ideas, concepts, illustrations, and written information represented hereby are the property of Nature Corporation and shall not be distributed, copied, reproduced, or used in any manner without the expressed written consent of Nature Corporation. The recipient hereby acknowledges the confidential and proprietary nature of these drawings and conveys to Nature Corporation all rights, title, and interest therein and agrees not to use these drawings or the data and concepts depicted herein except for the fabrication of the articles depicted herein for and on the behalf of Nature Corporation.

© 2007 NATURE CORPORATION
PAGE TITLE:
SPA CONTROL BALLARD

DATE: 10/5/07
FILE: Hot Pots.dwg
LAYOUT: Ballard Details
DRAWN BY: SAL
CHECKED BY: MTW
PROJECT NO.: SHEET NO.:
6.5