

Samþykkt þann  
07 MAI 2008  
Byggingarfulltrúinn / Hafnarfirði  
F.H. Hrólfur S. Gunnlaugsson

*Sty. Einar*  
Kt. 110457-2789

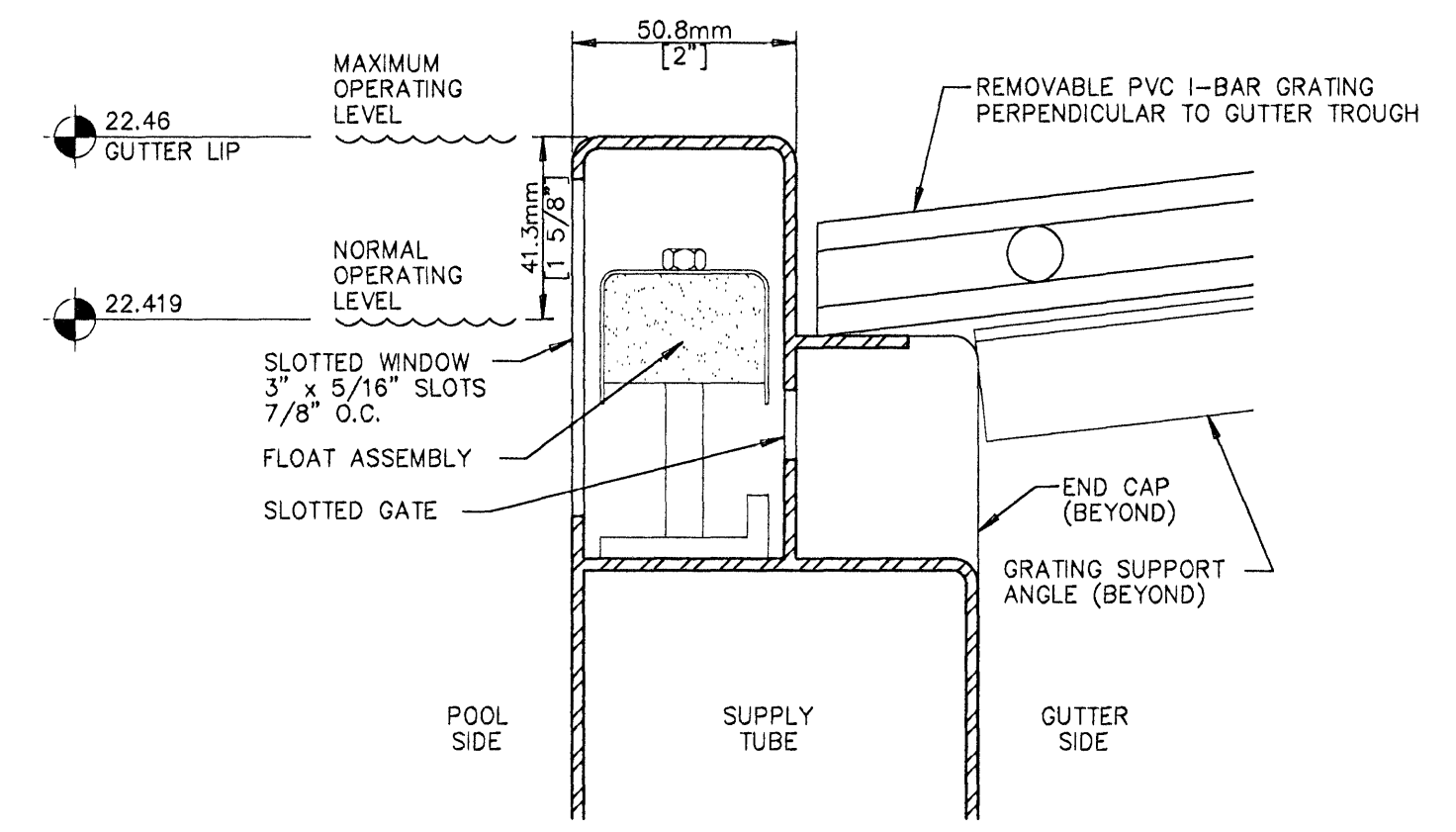
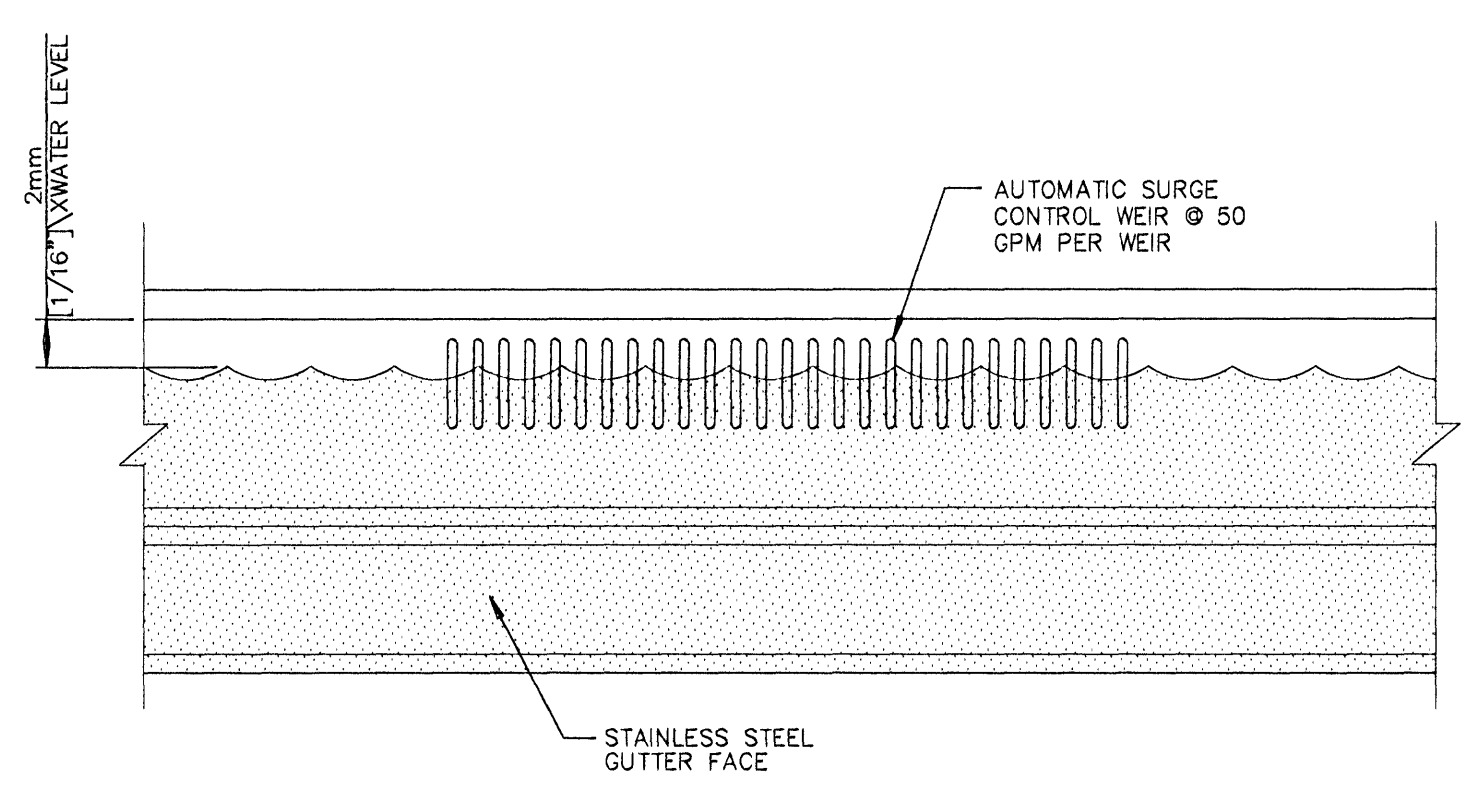
Strendingur ehf.  
Fyrirhaldur: 13-15-2023 Hafnarfirður  
Sími 585 5840 • strendingur@strendingur.is  
www.strendingur.is

NO.	DESCRIPTION	DATE
REVISIONS		

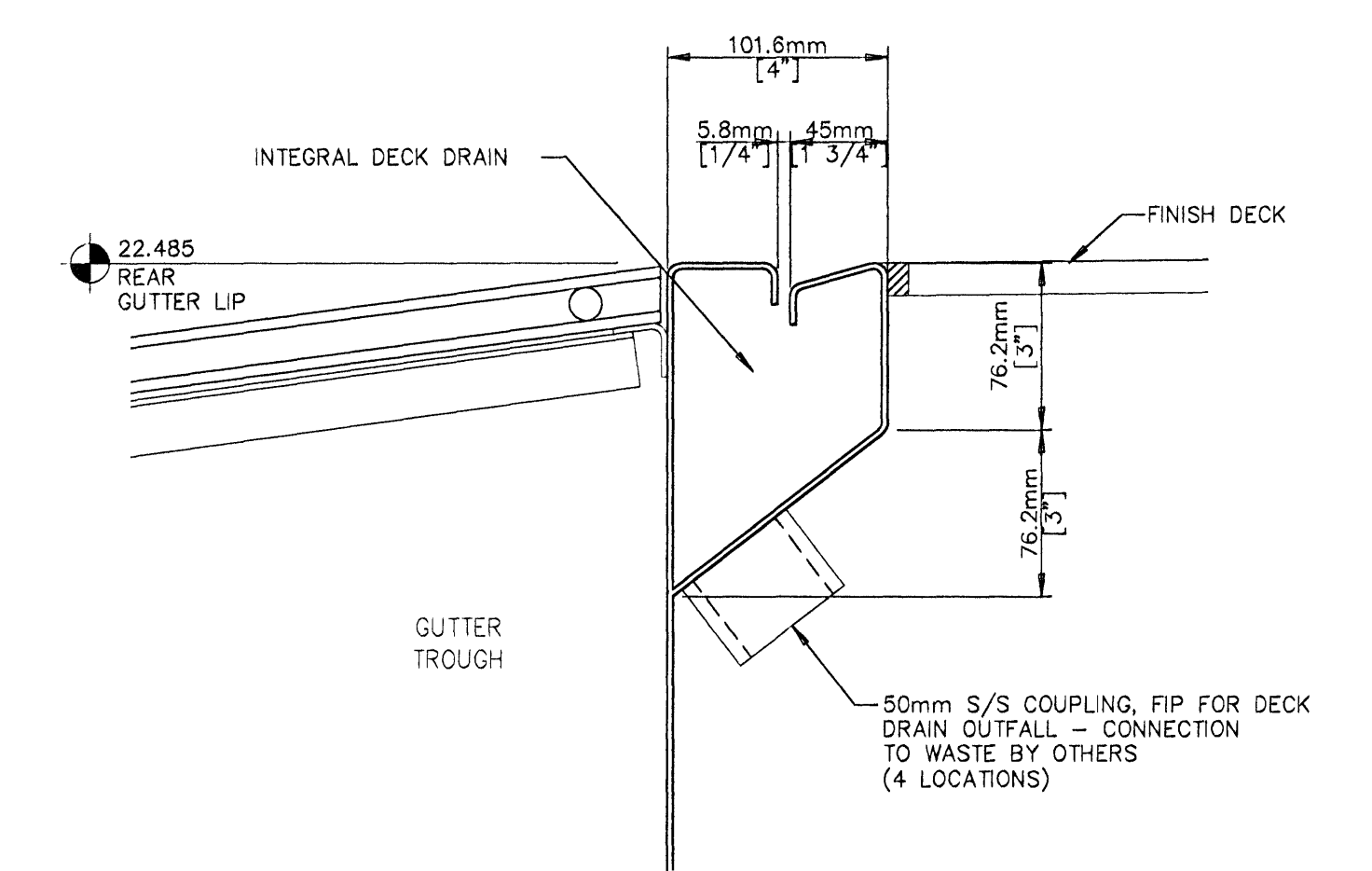
**NATURE**  
CORPORATION  
5905 W. 74th Street  
Indianapolis, In 48278-1786  
(317)290-8826  
Fax: (317)290-9998

These drawings and the ideas, concepts, illustrations, and written information represented hereby are the property of Nature Corporation and shall not be distributed, copied, reproduced, or utilized in any manner except upon the expressed written consent of Nature Corporation. The recipient hereof acknowledges Nature's proprietary interest therein and agrees not to use these drawings or the ideas and concepts depicted herein except for the fabrication of the articles specified herein for and on the behalf of Nature Corporation.

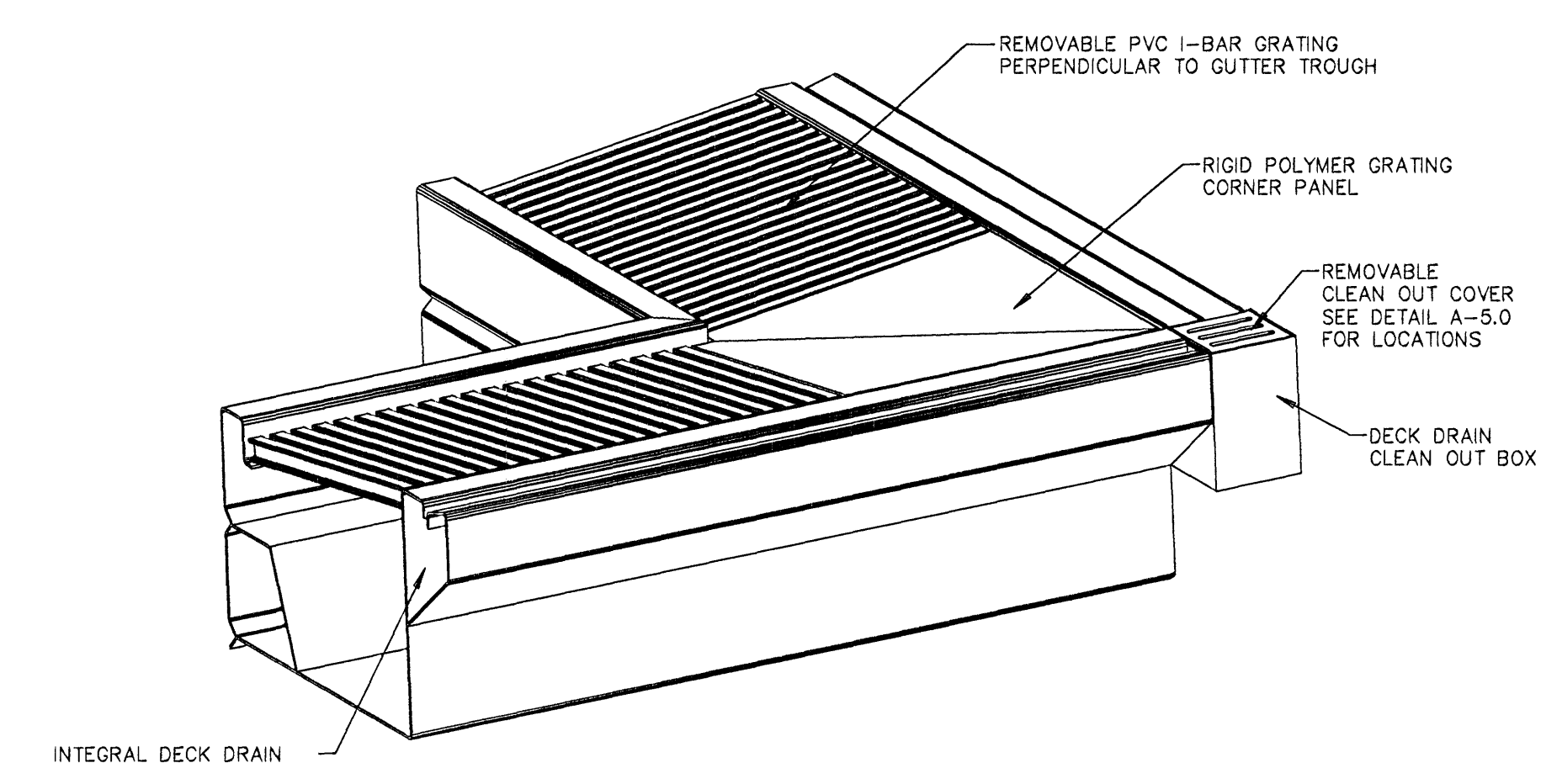
© 2007 NATURE CORPORATION  
PAGE TITLE:  
**CHILDREN'S PLAY POOL DETAILS**  
DATE: 10/5/07  
FILE: Children's Play Pool.dwg  
LAYOUT: Children's Play Pool Details (2)  
DRAWN BY: SAL  
CHECKED BY: MTW  
PROJECT NO.: SHEET NO.:  
5.3



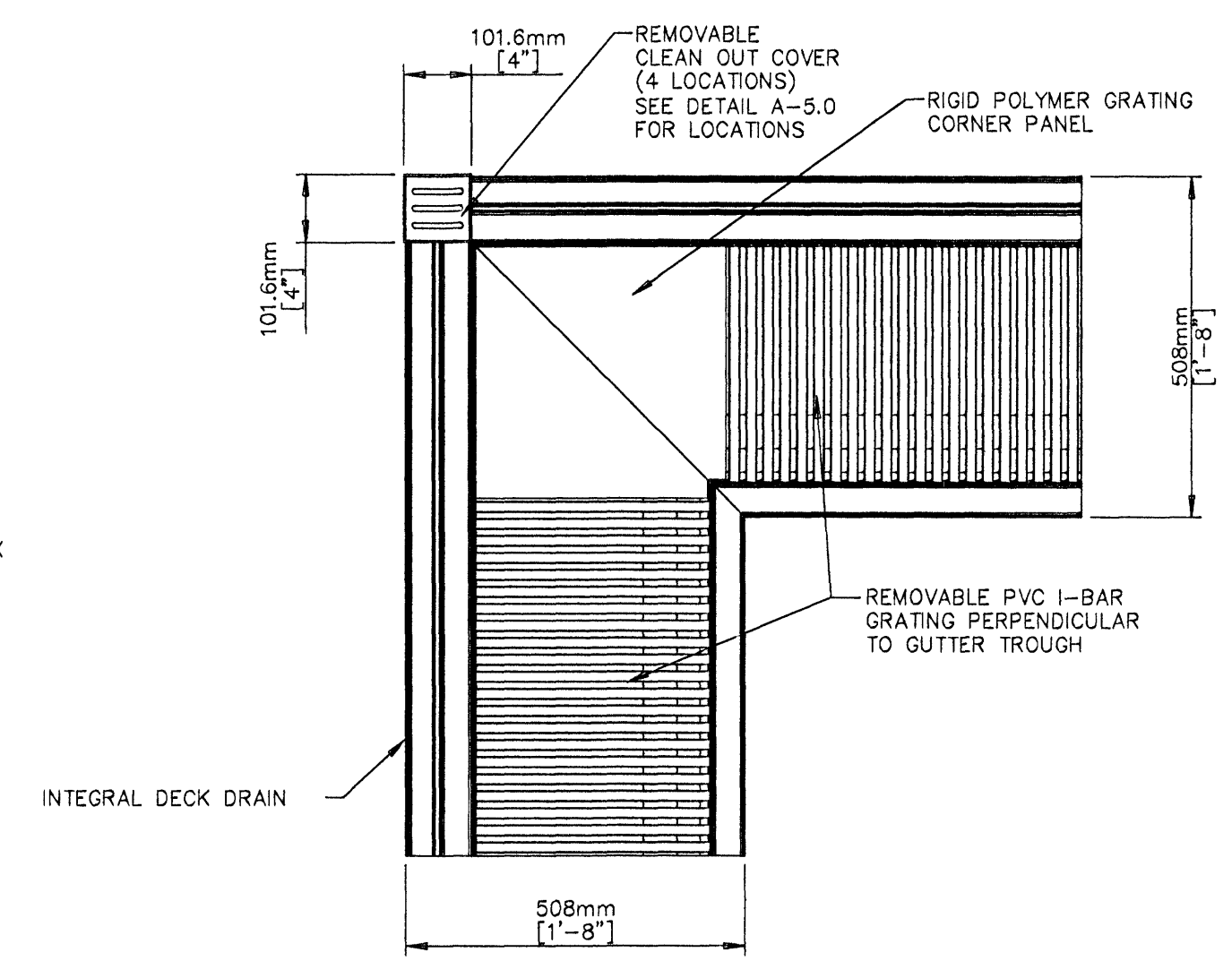
**A**  
5.3  
**AUTOMATIC SURGE CONTROL ASSEMBLY**  
QTY.: 2 REQ'D.  
SEE SHEET 5.0 FOR LOCATIONS



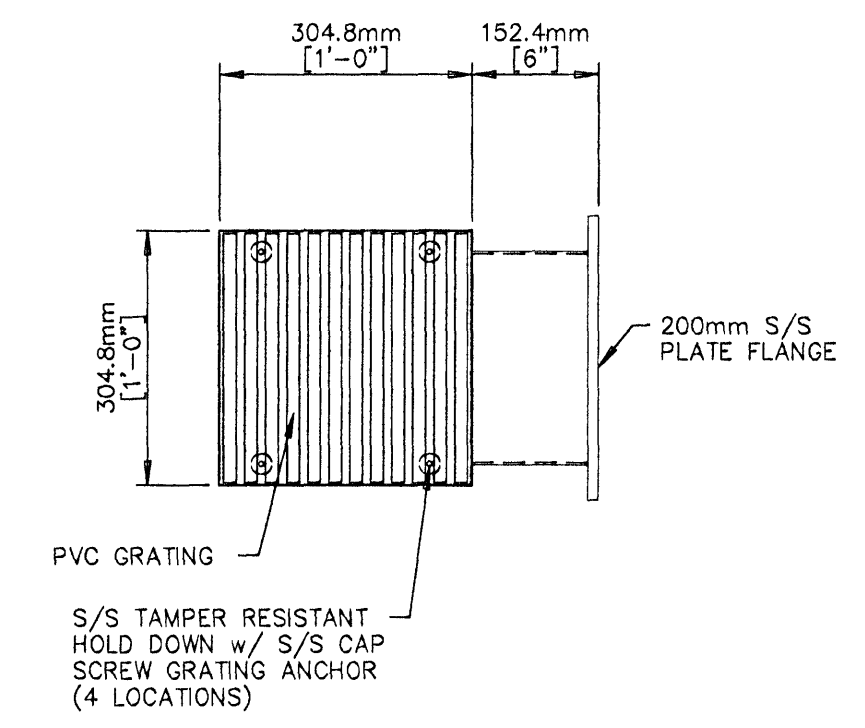
**D**  
5.3  
**INTEGRAL DECK DRAIN**



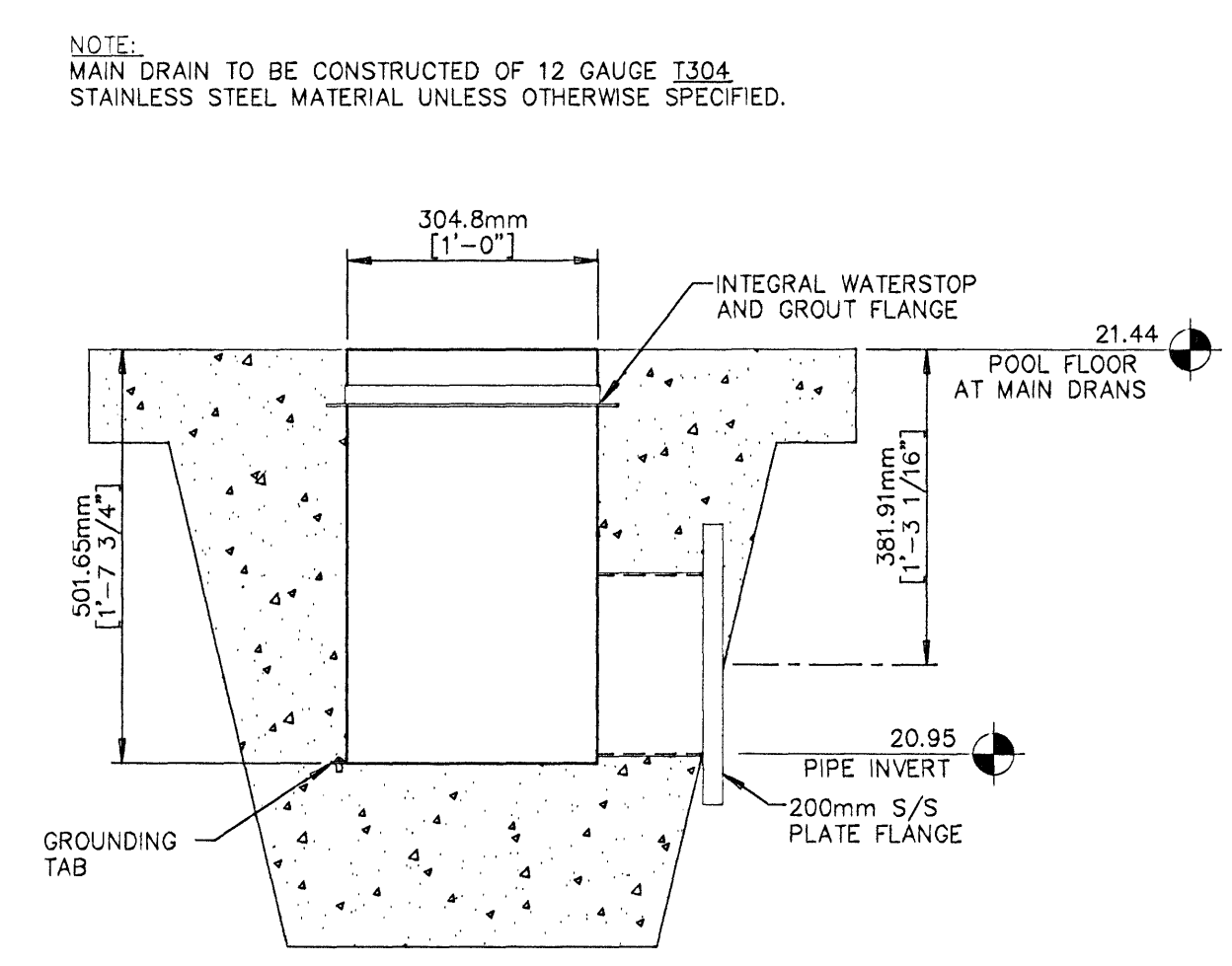
**B**  
5.3  
**TYPICAL CORNER DETAIL**



**C**  
5.3  
**TYPICAL CORNER DETAIL**



**E**  
5.3  
**STAINLESS STEEL MAIN DRAIN**  
QTY.: 2 REQ'D.



NOTE:  
MAIN DRAIN TO BE CONSTRUCTED OF 12 GAUGE T304 STAINLESS STEEL MATERIAL UNLESS OTHERWISE SPECIFIED.

- Do not scale drawings. Refer to or request specific dimensions.
- Specific dimensions are assumed to be accurate. However, do not use for construction unless verified and certified.
- Dimensions and details are subject to change without notice unless drawings are specified.
- For clarity or reference, certain equipment or areas of construction may be shown. Do not assume all items or work illustrated on these drawings to be furnished by Nature Corporation. Refer to equipment schedule or scope of work for specific details.
- When needed work or equipment is shown, such illustration is for information or clarity only. Always refer to appropriate documents for specific details or instructions.