

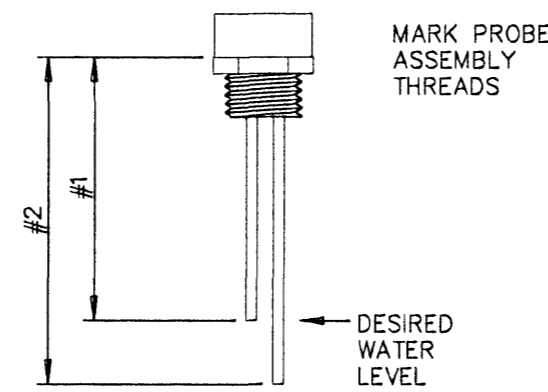
**DESIGN / SPECIFICATION DATA:**  
 THE PRINCIPLE PURPOSE OF NATARE'S STANDARD DECK MOUNTED AUTOMATIC WATER LEVEL CONTROLLER IS TO KEEP THE WATER LEVEL OF THE POOL WITHIN OPERATING RANGE AT ALL TIMES. IF THE POOL WATER LEVEL DROPS BELOW THE PRE-DETERMINED MINIMUM LEVEL, THE WATER LEVEL CONTROLLER AUTOMATICALLY ADDS FRESH WATER TO THE POOL UNTIL THE WATER LEVEL RISES BACK TO NORMAL.

**\*NOTE:**  
 FOR ROLLTOP GUTTER OR POOLS WITH A DECK TO WATER LEVEL OF LESS THAN 4", INSTALL WATER LEVEL SENSOR IN A SEPARATE RECEIVER OR AREA WHERE HOUSING CAN BE LOCATED ABOVE DECK LEVEL.

**WATER LEVEL CONTROLLER SENSOR DETAIL**

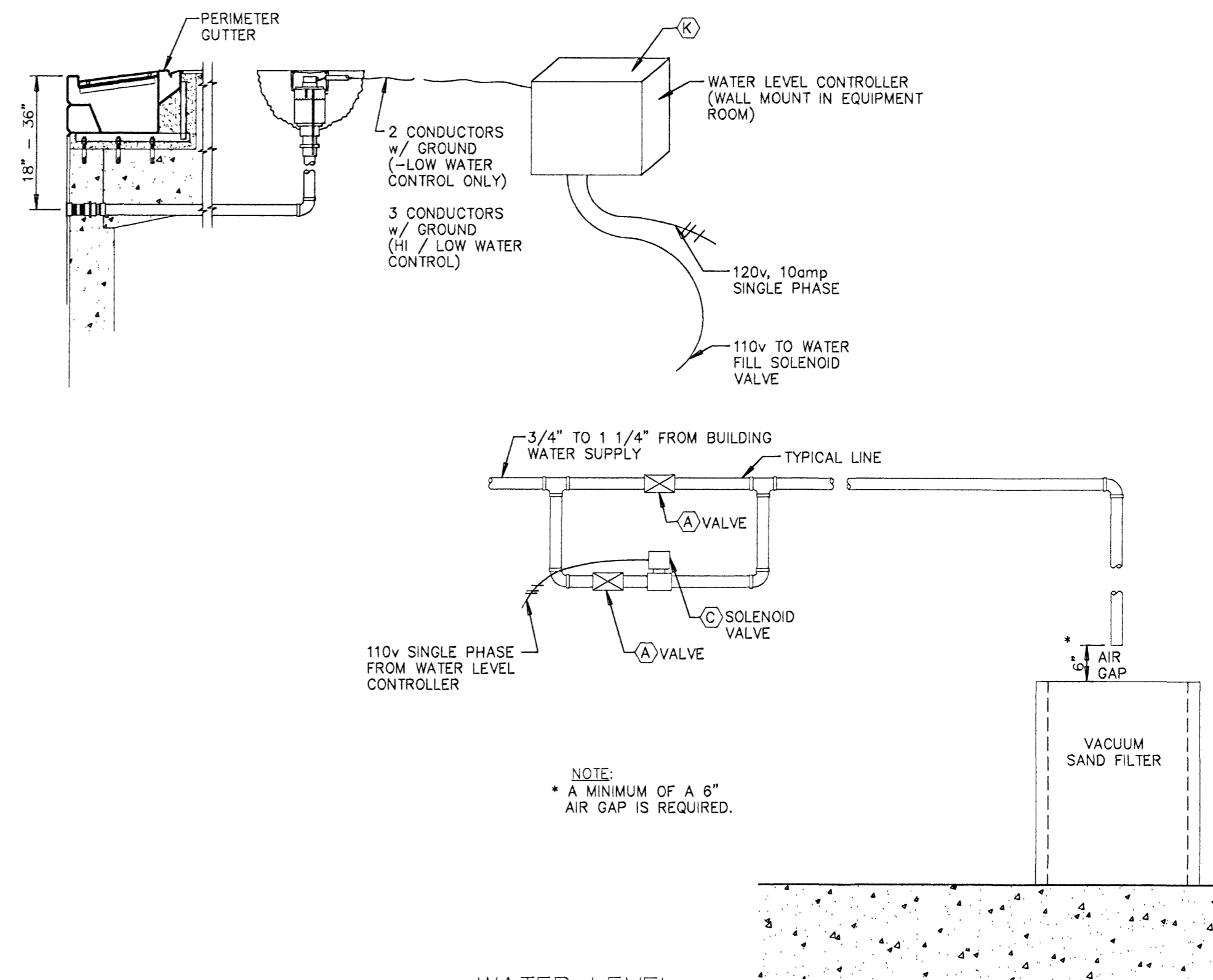
A  
8.4

MATERIAL FOR NO.: 32-550			
KEY	QTY	DESCRIPTION	PART NO.
(A)	2	1" BRASS GATE VALVE	32010.1
(B)	1	1 1/2" THD. PVC FLANGE	R25222.015
(C)	1	1" NORMALLY CLOSED SOLENOID VALVE	32506
(D)	1	SAFETY GRATE INSERT, CYCOLAC	34013
(E)	1	1 1/2" x 1 1/2" NO-LEAK FLANGE	34050
(F)	1	CPB WALL FITTING BODY	34103
(G)	1	4" S x S PVC COUPLING	R25131.040
(H)	1	4" x 2" SPIGOT x SOCKET PVC REDUCING BUSHING	R25151.040020
(I)	1	1 1/2" x 3" LONG NIPPLE SCH. 80	R25264.015300
(J)	1	ADJUSTABLE CLEANOUT COVER	P0161-61004-SS
(K)	1	ELECTRICAL CONTROL BOX	P0598-32550.B
(L)	1	2-PROBE SENSING UNIT	P0598-32550.A



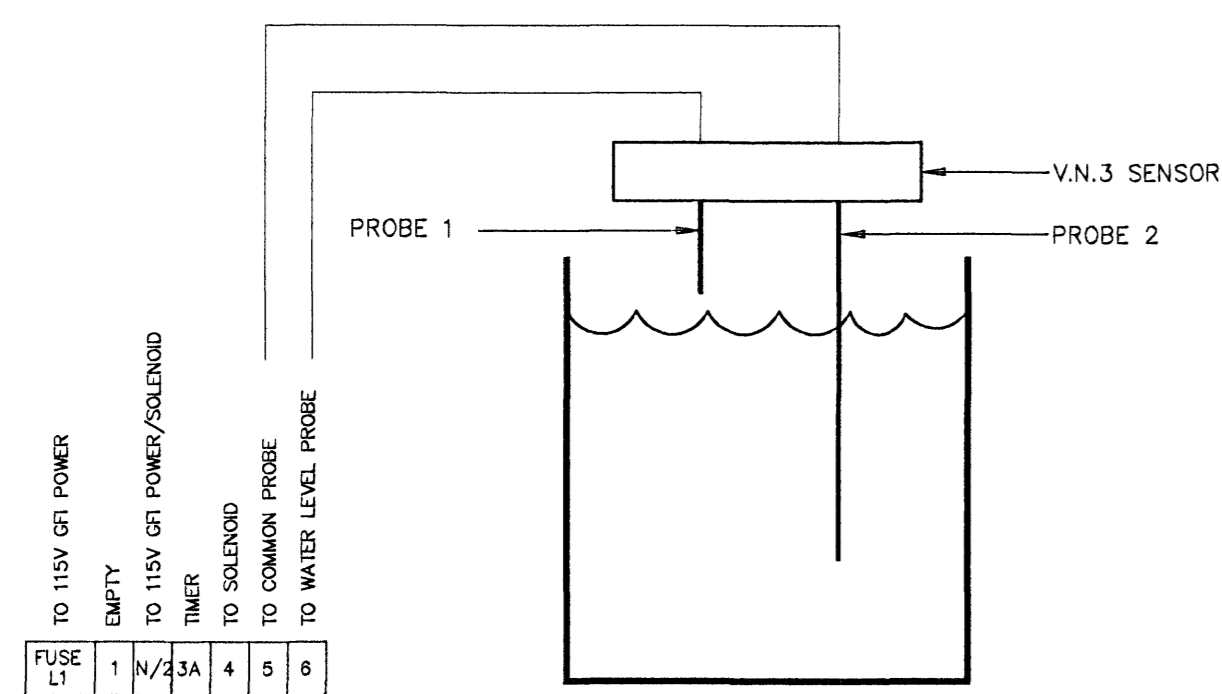
**PROBE DETAIL**

B  
8.4



**WATER LEVEL CONTROLLER SCHEMATIC**

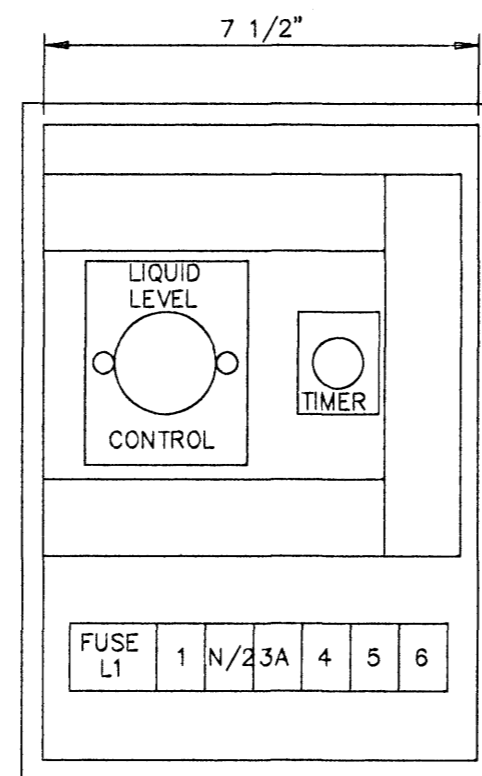
C  
8.4



**WIRING DIAGRAM FOR MAX. / MIN. LEVEL CONTROL**  
 THE RELAY CLOSING WHEN PROBE #1 (PIN 6) IS NOT IMMERSED IN WATER. THIS OPENS THE NORMALLY-CLOSED SOLENOID VALVE, ALLOWING ADDITIONAL WATER INTO THE SWIMMING POOL. THE RELAY RELEASES WHEN PROBE #1 IS IMMERSED IN THE WATER. THIS DEACTIVATES THE SOLENOID VALVE, ALLOWING IT TO CLOSE AND STOP THE FLOW OF WATER.

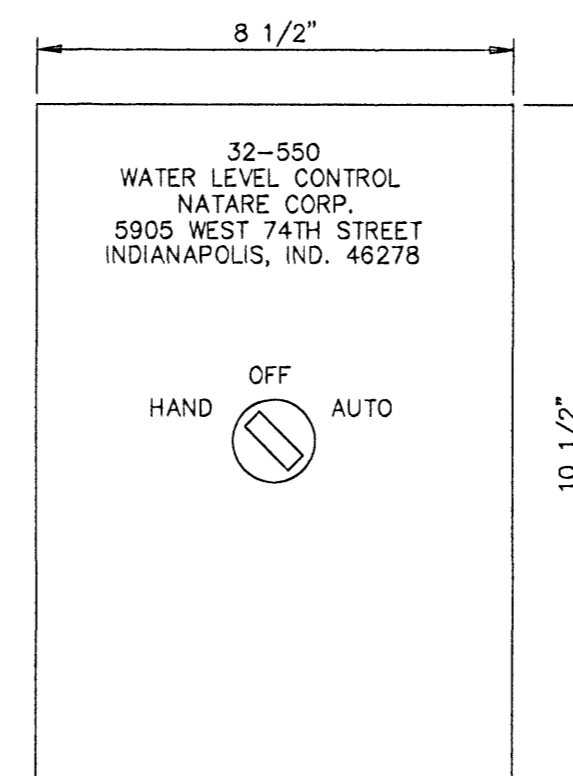
**WIRING DIAGRAM DETAIL**

D  
8.4



**INTERIOR VIEW**

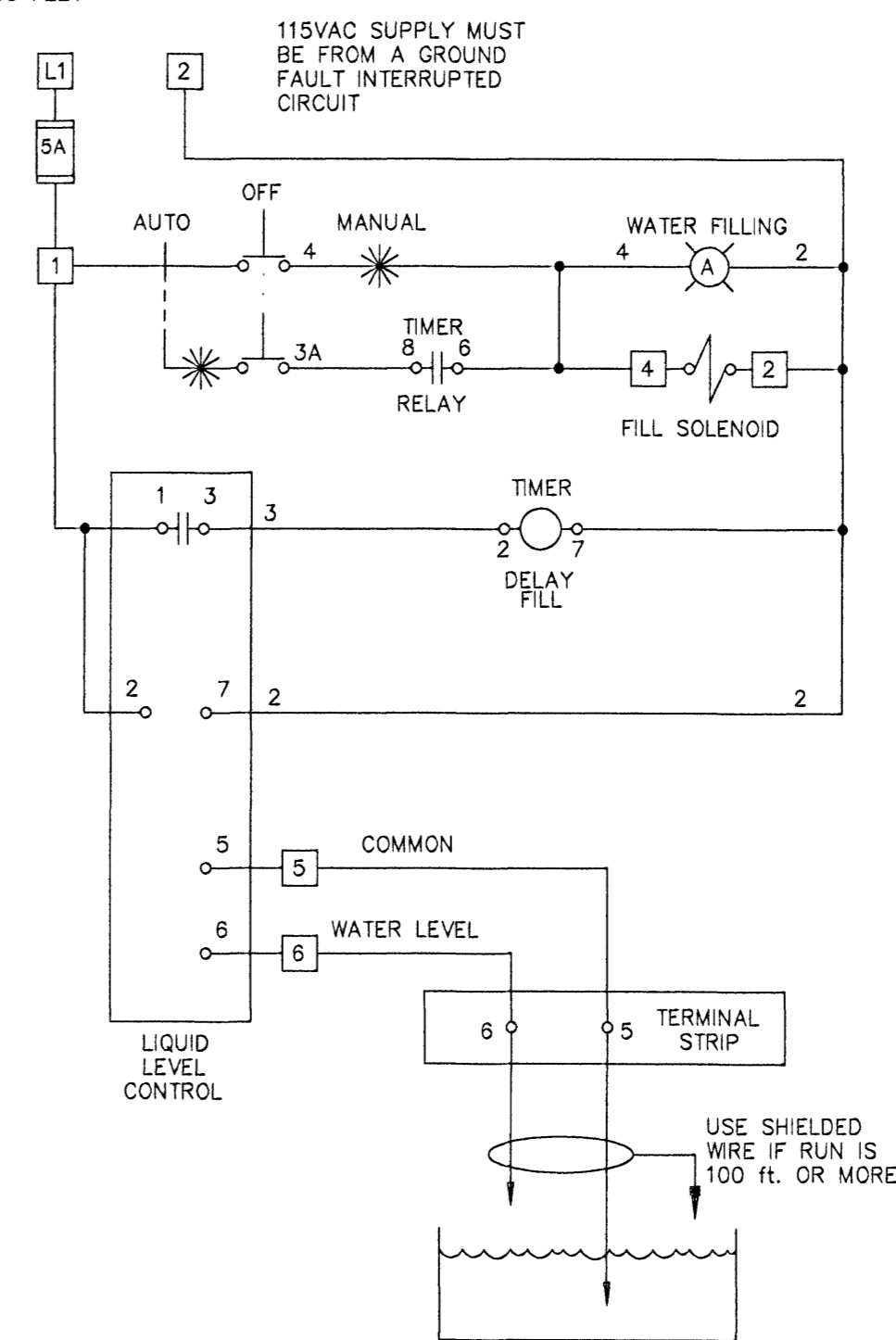
E  
8.4



**FRONT VIEW**

F  
8.4

**NOTE: RUN PROBE LINES IN SEPARATE CONDUIT MAX. LENGTH 100 FEET**



- Do not scale drawings. Refer to or request specific dimensions.
- Specific dimensions are assumed to be accurate. However, do not use for construction unless verified and certified.
- Dimensions and details are subject to change without notice unless drawings are certified.
- For clarity or reference, certain equipment or areas of construction may be shown. Do not assume all items or work illustrated on these drawings to be furnished by Nature Corporation. Refer to equipment schedule or scope of work for specific details.
- When related work or equipment is shown, such illustration is for information or clarity only. Always refer to appropriate documents for specific details or instructions.

Sundmidstod

Iceland

Sambýkkt þann  
 07 MAI 2008  
 Byggingarfulltrúinn í Hafnarfirði  
 F.h. Hrólfur S. Gunnlaugsson

Kr. 110457-2789

Strendingur ehf.  
 vaxandi búnaður  
 Flanaganir 13-14 90q Hafnarfirði  
 Sími 565 5641x strendingur@strendingur.is  
 www.strendingur.is

NO.	DESCRIPTION	DATE
REVISIONS		

**NATARE CORPORATION**  
 5905 W. 74th Street  
 Indianapolis, IN 46278-1788  
 (317)290-8828  
 Fax: (317)290-9998

These drawings and the ideas, concepts, illustrations, and written information represented hereby are the property of Nature Corporation and shall not be distributed, copied, reproduced, or utilized in any manner except upon the expressed written consent of Nature Corporation. The recipient hereby acknowledges the confidential and proprietary nature of these drawings and acknowledges Nature's proprietary interest therein and agrees not to use these drawings or the ideas and concepts depicted herein except for the fabrication of the articles depicted herein for and on the behalf of Nature Corporation.

© 2007 NATARE CORPORATION  
 PAGE TITLE:  
**AUTOMATIC WATER LEVEL CONTROLLER**

DATE: 10/5/07  
 FILE: Vacuum Sand Filters.dwg  
 LAYOUT: AWLC  
 DRAWN BY: SAL  
 CHECKED BY: MTW  
 PROJECT NO.: SHEET NO.:  
 8.4