

PLAN: ROOF (additional, exchange bracing rods) M= 1:75

Samþykkt bann
12 MARS 2008
Byggingarfulltrúinn í Hafnarfirði
F.h. Hörfur S. Gunnlaugsson

Concept of the additional and exchange bracing rods:

1. An additional bracing system in the roof between A/B/1-13 similar to the system D-E/1-13
2. Additional bracing cruxes (ø=16mm) and struts 160/200 (GL24) in axis 1+13/C-B
3. Exchange of all bracing cruxes by axis 3,5,9 and 11 from ø=30 (S235) to ø=36mm (S355).
4. Exchange of two facade columns in gridline 7 with two new facade columns Pos. 329 (160/460 GL28).

Pos	Stk	Benennung	Material
HP150	2	BRACING-CONNECTION	S235JR G2
HP151	2	BRACING-CONNECTION	S235JR G2
HP152	1	BRACING-CONNECTION	S235JR G2
HP153	2	BRACING-CONNECTION	S235JR G2
HP154	1	BRACING-CONNECTION	S235JR G2
HP155	1	BASE-CONNECTION	S235JR G2
HP156	1	BASE-CONNECTION	S235JR G2
HP157	1	BASE-CONNECTION	S235JR G2
HP158	1	BASE-CONNECTION	S235JR G2
HP159	1	BRACING-CONNECTION	S235JR G2
HP160	8	BRACING-CONNECTION	S235JR G2
HP161	8	BRACING-CONNECTION	S235JR G2
HP162	1	BRACING-CONNECTION	S235JR G2
HP163	1	BRACING-CONNECTION	S235JR G2
HP164	1	BRACING-CONNECTION	S235JR G2
HP165	14	BRACING-CONNECTION	S235JR G2
HP166	5	BRACING-CONNECTION	S235JR G2
HP167	1	BRACING-CONNECTION	S235JR G2
HP168	8	BRACING-CONNECTION	S235JR G2
HP170	8	VV-ø=36mm	S355J2G3
HP171	4	VV-ø=36mm	S355J2G3
HP172	4	VV-ø=36mm	S355J2G3
HP173	4	VV-ø=16mm	S235JR G2
HP174	2	VV-ø=16mm	S235JR G2
HP175	2	VV-ø=16mm	S235JR G2
HP176	4	DV-ø=24mm	S235JR G2
HP177	4	DV-ø=20mm	S235JR G2
HP178	8	DV-ø=20mm	S235JR G2
HP179	4	DV-ø=20mm	S235JR G2
HP180	2	DV-ø=20mm	S235JR G2
HP181	2	DV-ø=20mm	S235JR G2
108			

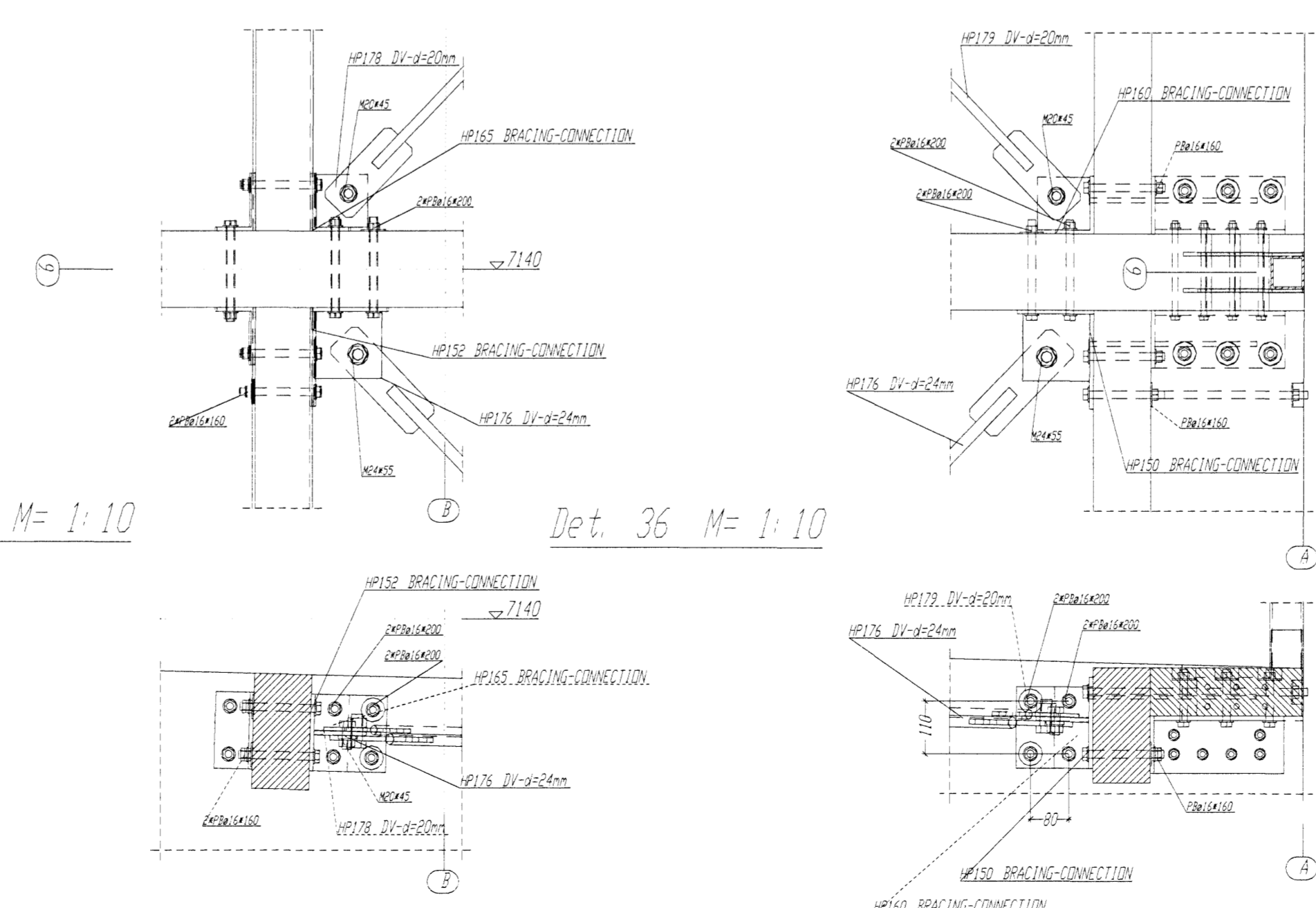
Pos	Stk	Benennung	Profil	Material
2000	1	ANGLE	L120x10	S235JR G2
2001	1	ANGLE	L120x10	S235JR G2
2002	8	ANGLE	L120x80x8	S235JR G2
2003	2	ANGLE	L100x8	S235JR G2
12				

Pos	Stk	Benennung	Profil	Material	Länge (m)
329	2	COLUMN	160/460	BS14c	5.924
450	4	STRUT	160/200	BS11h	2.325
6					

- Verbindungsmitel: JOINTINGS
- FAZ(a)) BOLY (STEEL - REINFORCED CONCRETE)
 - M(a)) BOLY (STEEL - STEEL)
 - PA(a)) DRIFT BOLY (STEEL - WOOD)
 - SD(a)) DRIFT PIN
 - Spax(a)) WOOD SCREW
 - Pl(a)) RNF NAIL
 - M(a)) NUT
 - SCHETBEY(a)) WASHER

Det. 37 M= 1:10

Det. 36 M= 1:10



GLUAM BEAMS: BS11h = GL24 / BS14c = GL28 / BS16c = GL32
ADHESION QUALITY: MELAMIN RESORCINHARZ
TREATMENT: 1 x VALTTI COLORLESS

STEEL: S 235 JR G2
WELDED CONSTR. a=0.7x PAINTED HD-GALVANIZED

W. u. J. Dericx GmbH & Co.
Holzleimbau
Dortm. 63
41378 Niederrhein
Tel. 02163 / 8988-0
Fax. 02163 / 8988-7
http://www.dericx.de
e-mail: info@dericx.de

HOLZLEIMBAU DERIX

ORDER FROM: **TEKK COMPANY**
PROJECT: **NORDURHELLA**
PROJECT-SITE: **ICELAND**

UNIT: **ROOF (additional, exchange bracing rods)**
SCALE: 1:75
DESIGNER: Kessler
DATE: 13.12.2007
ORDER: 71 0141 7
FILE-NAME: dplan-13b
SHEET NO.: 13b

EMIL ÞÓR GÜDMUNDSSON
LÆKJASMÁRA 88
200 KÓPAVOGUR
SÍM: 544 4004
GSM: 898 9517
NETFANG: emil@emil.is
kt: 280458-3499

Norðurhella 10

Pakvirki
Grunnmynd og snið

1:75, 1:10
EPG
EMIL ÞÓR GÜDMUNDSSON
13b