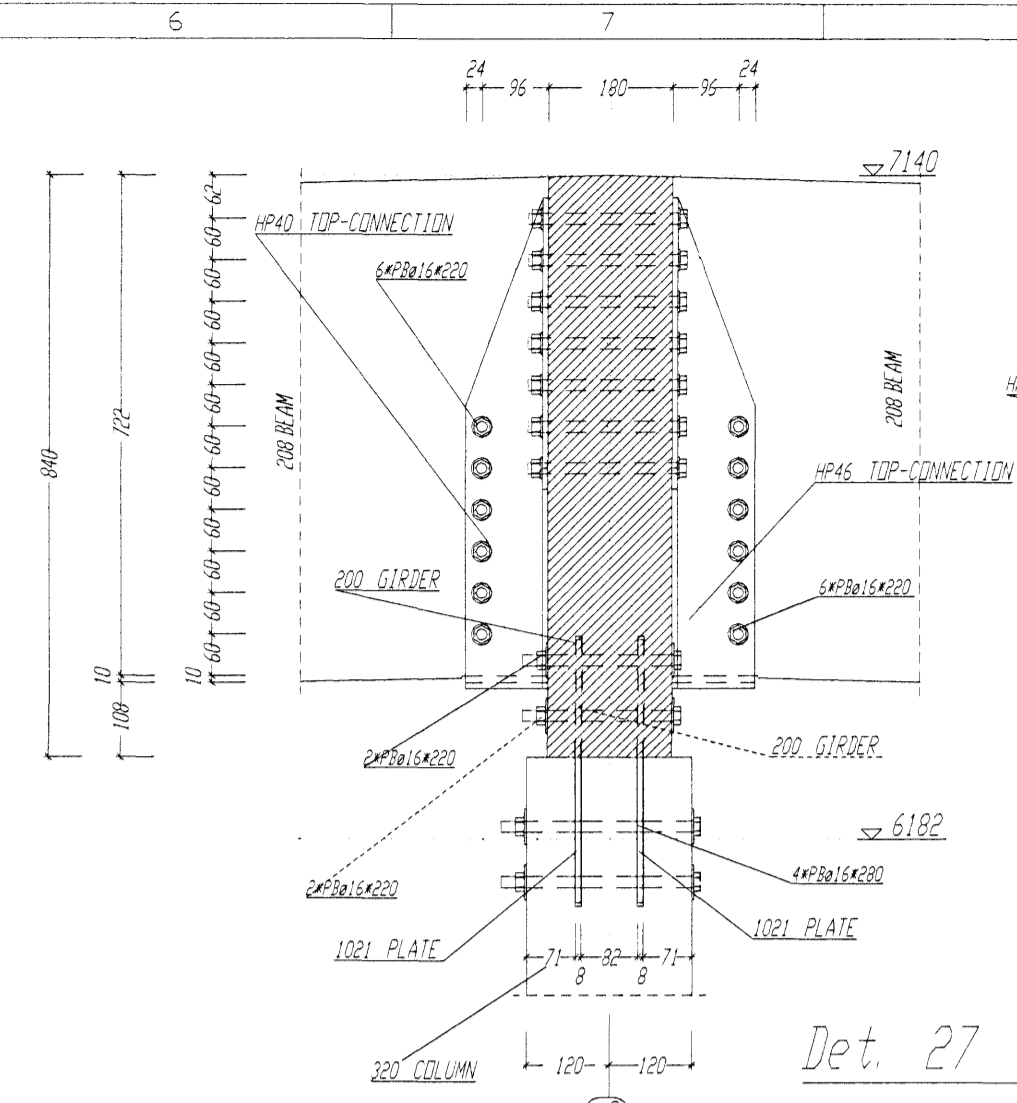
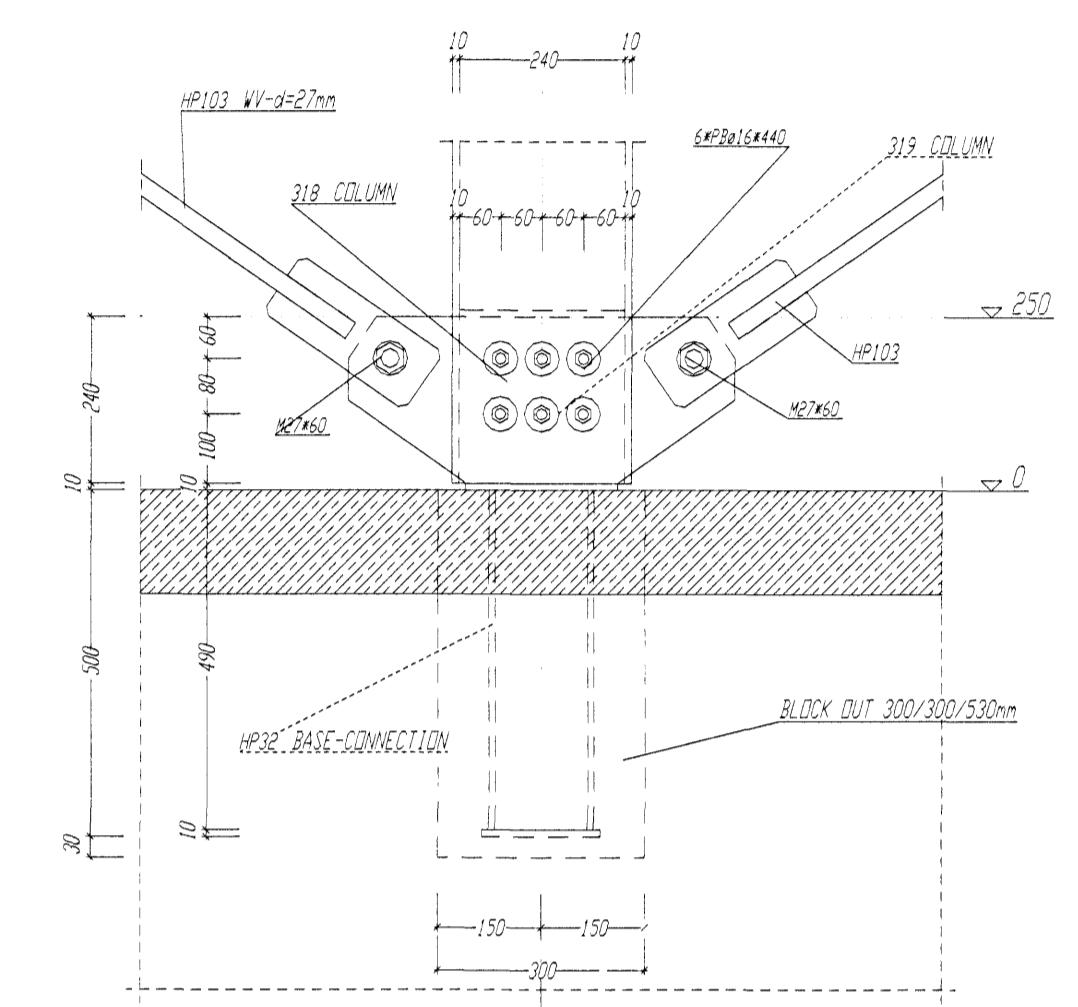
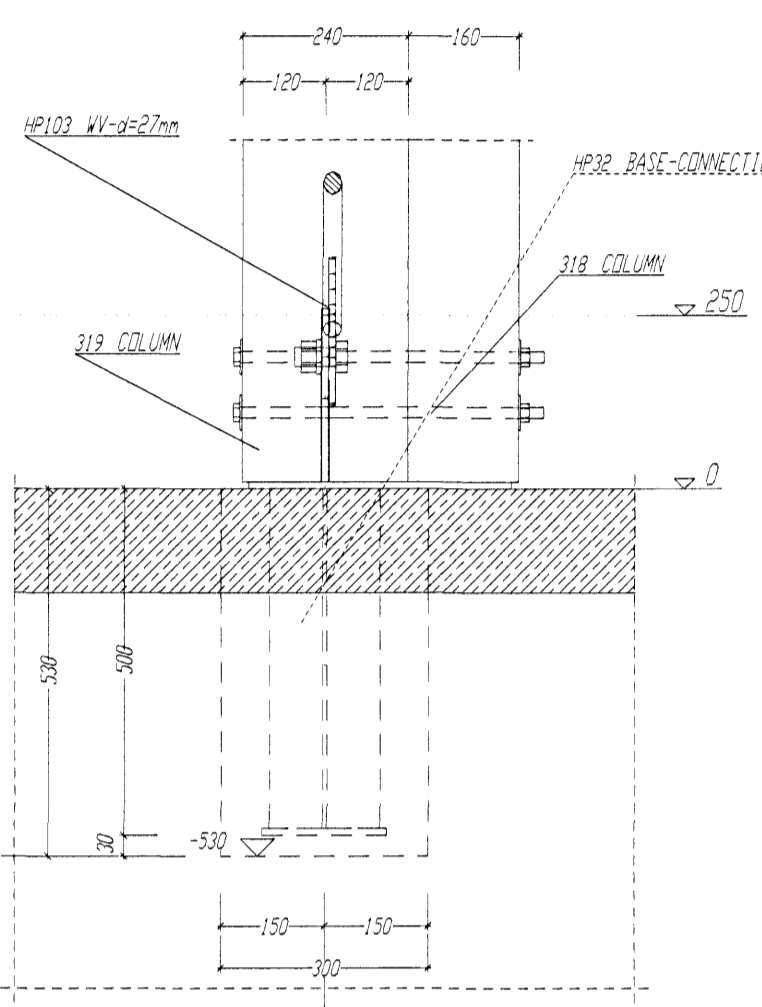
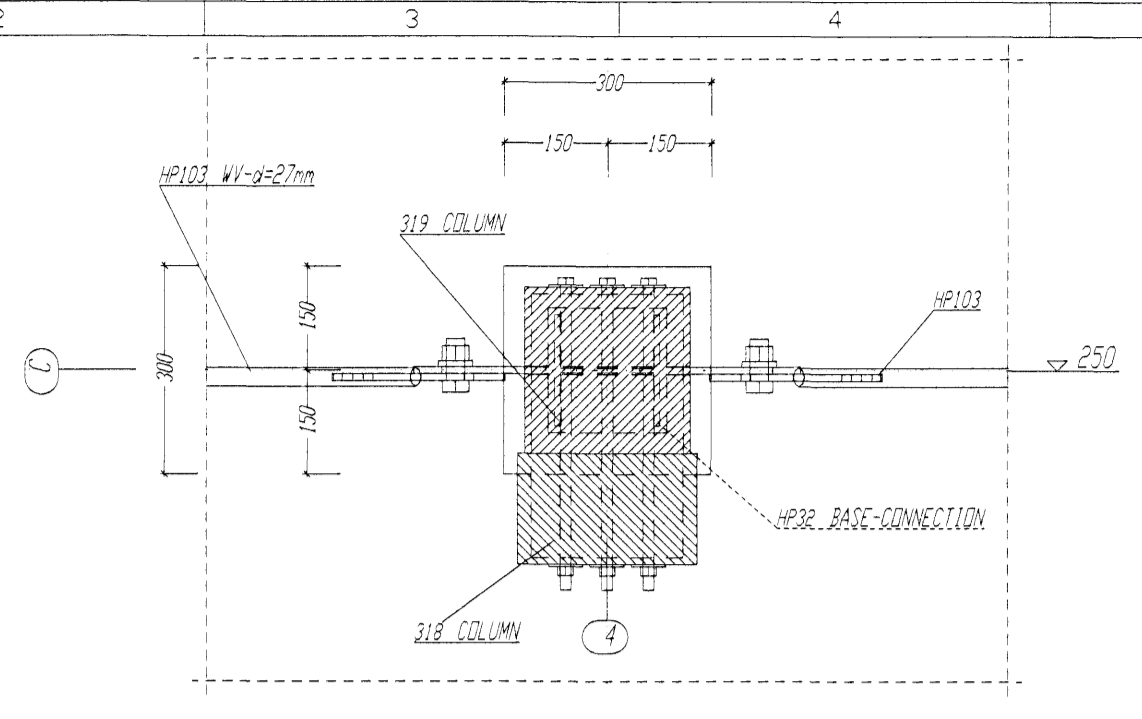
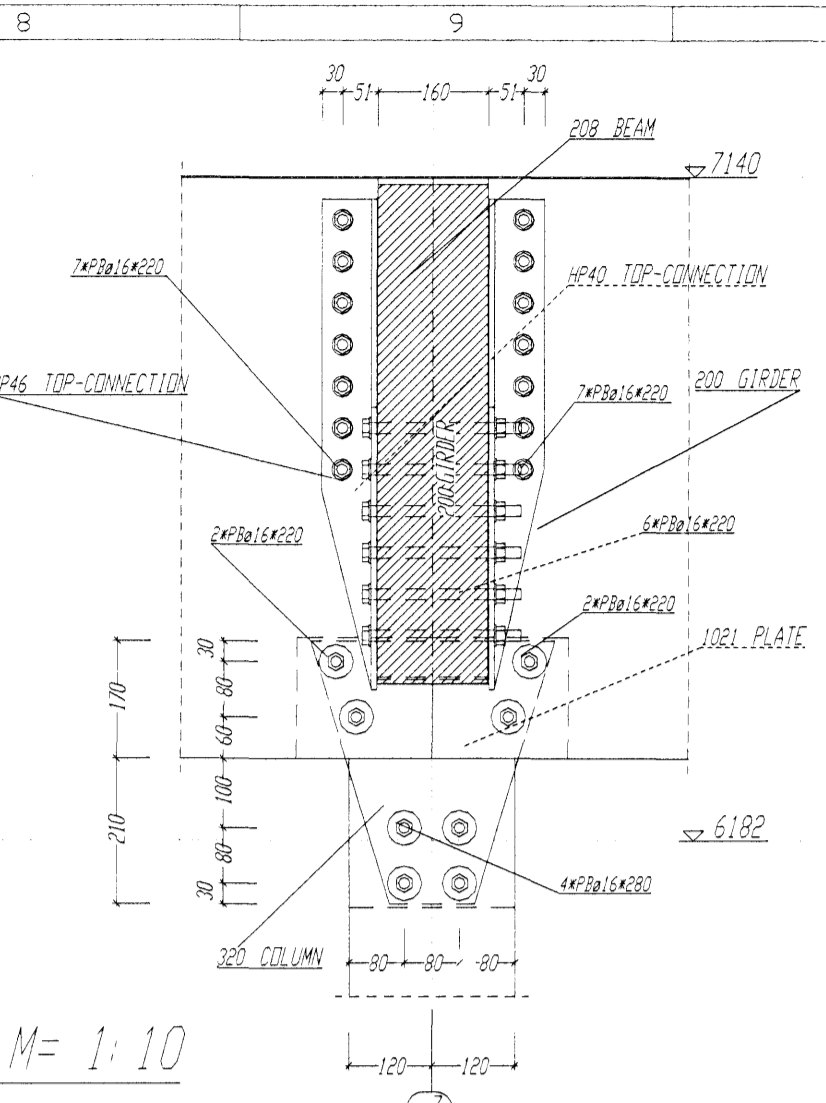


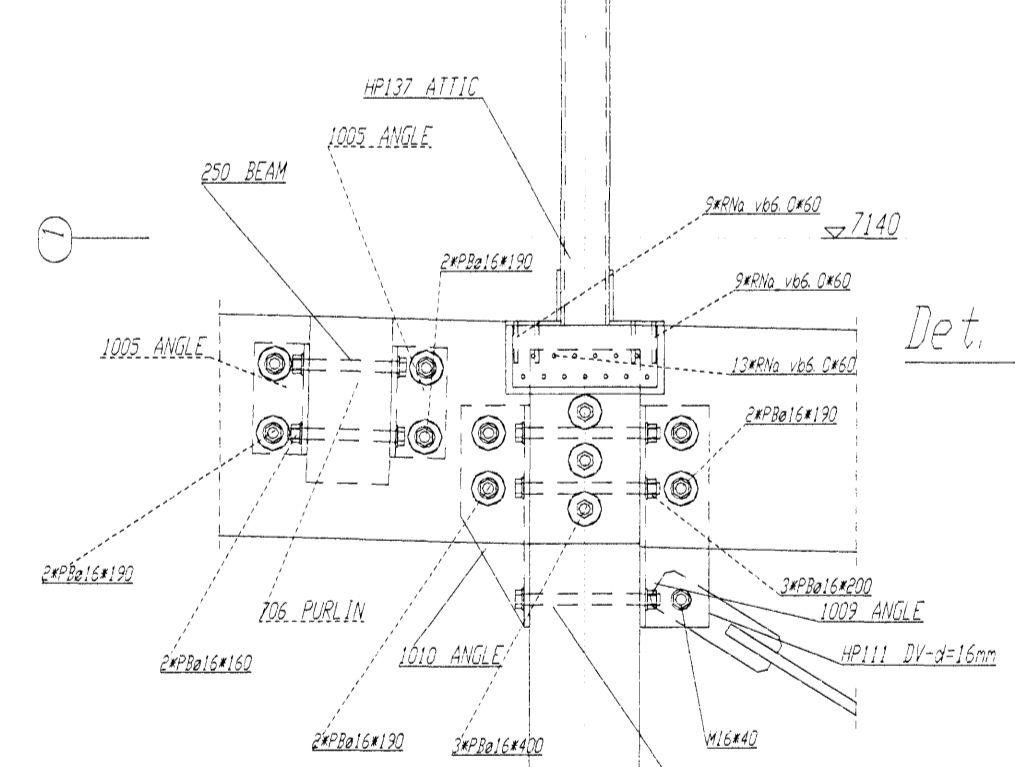
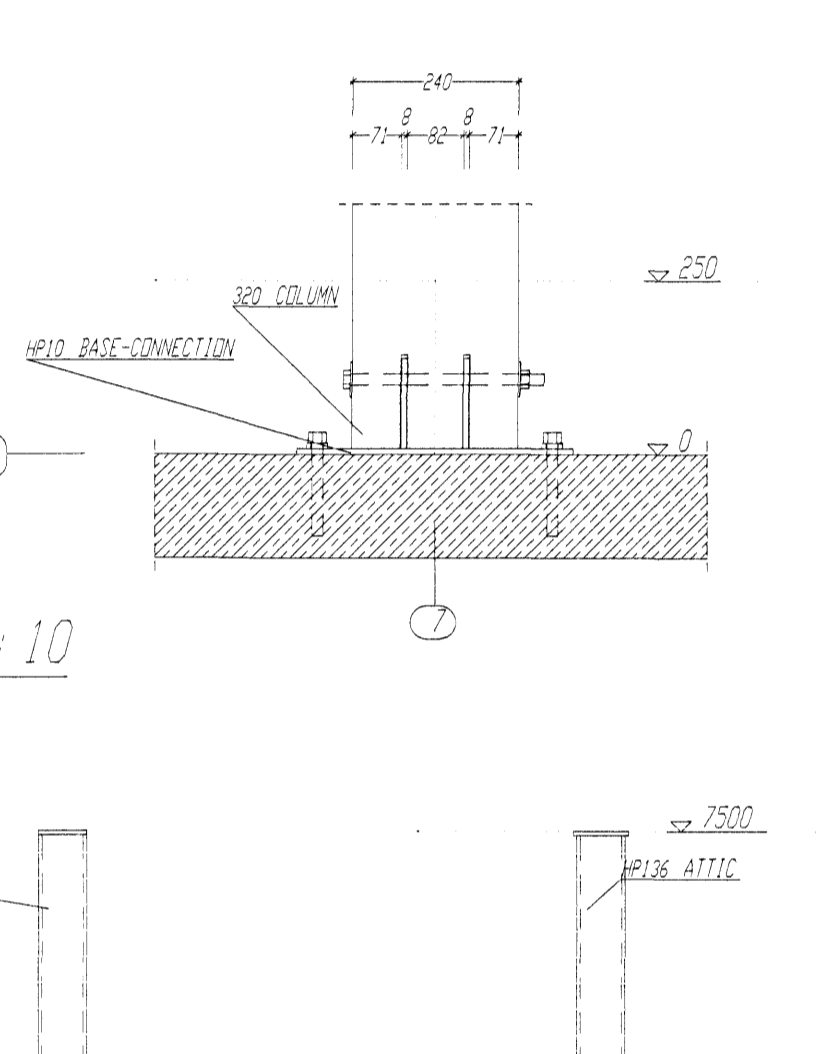
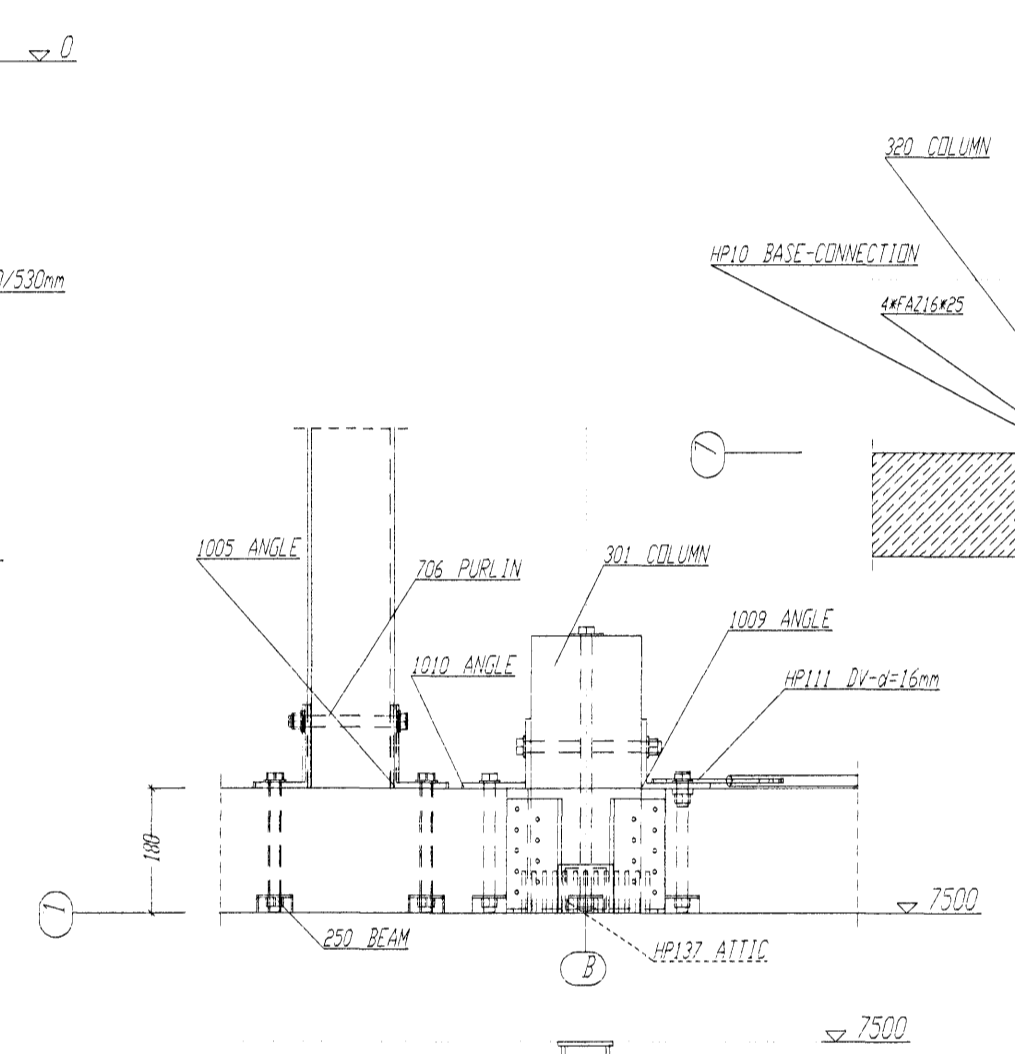
Det. 26 M= 1:10



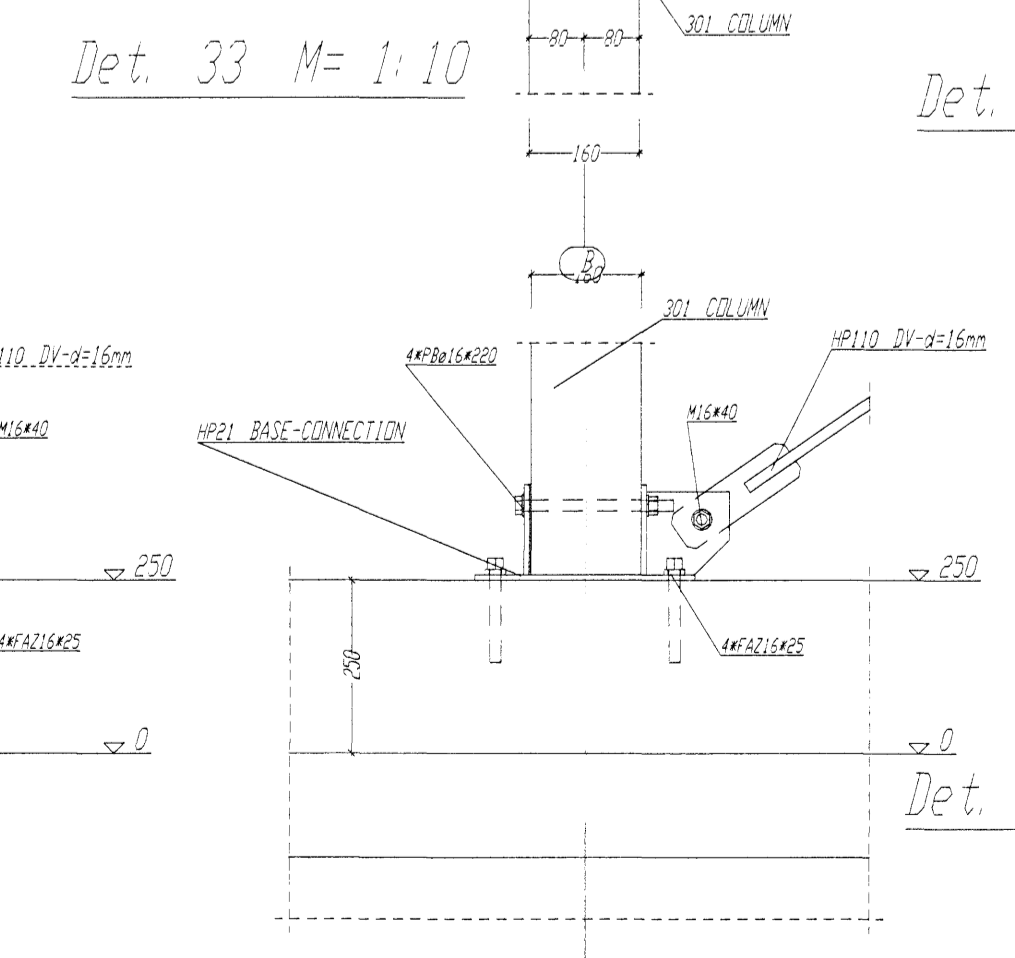
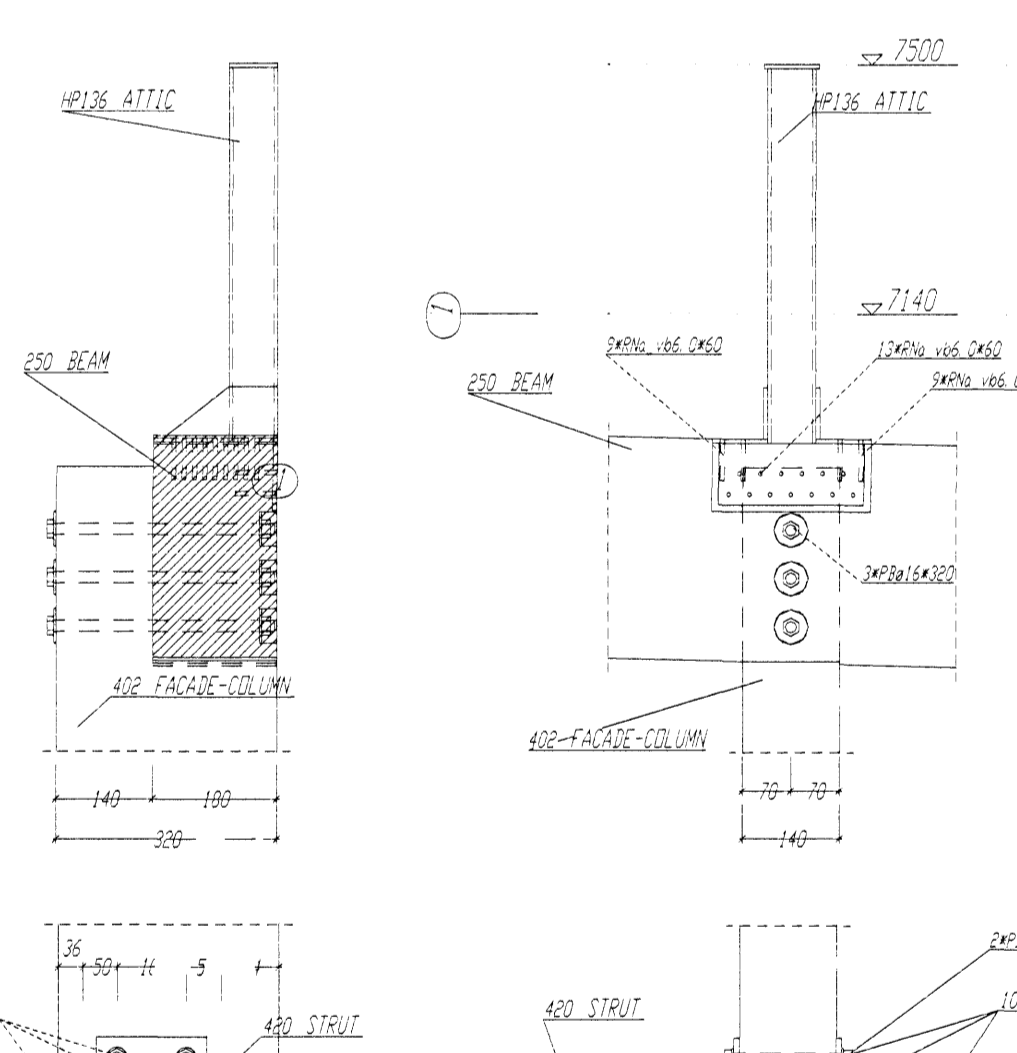
Det. 27 M= 1:10



Det. 28 M= 1:10

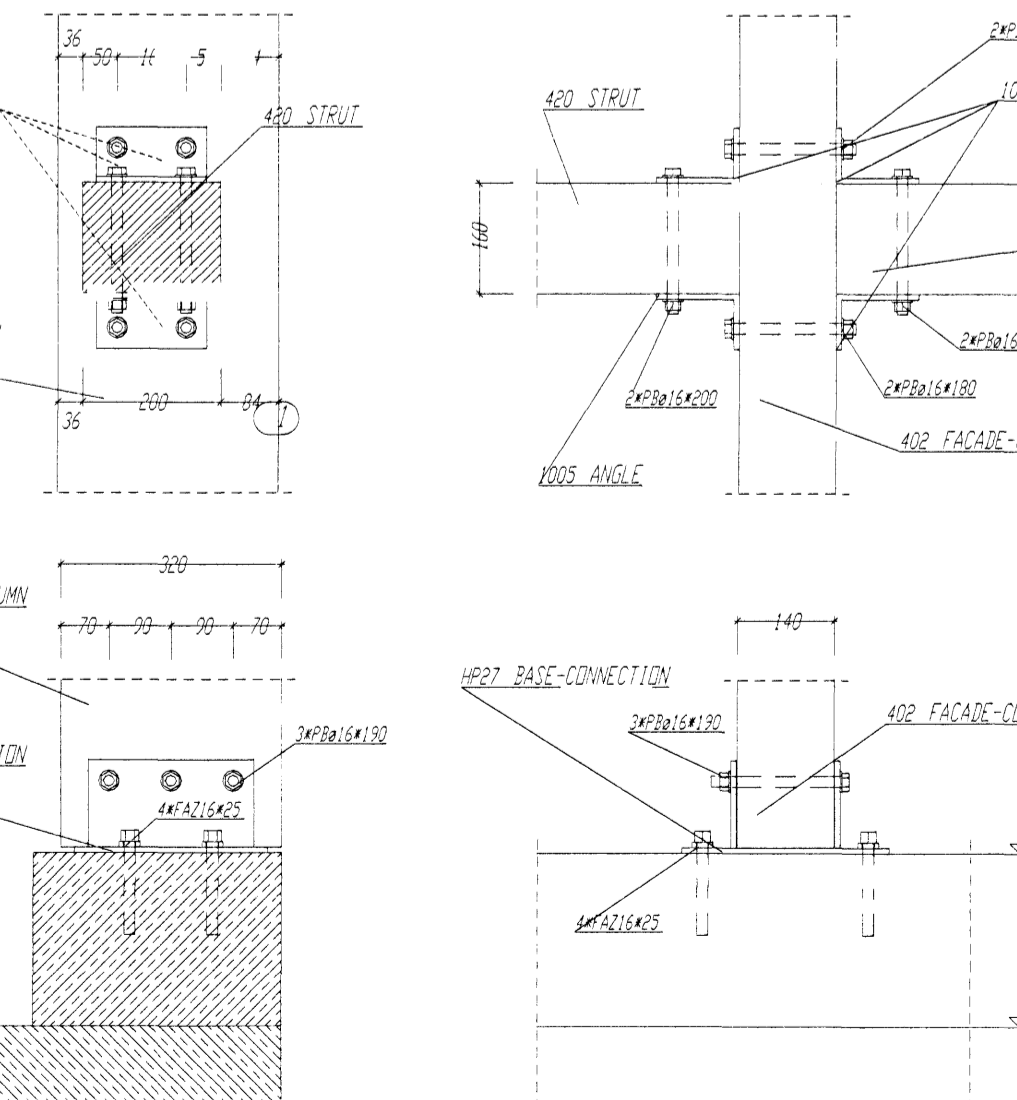


Det. 30 M= 1:10



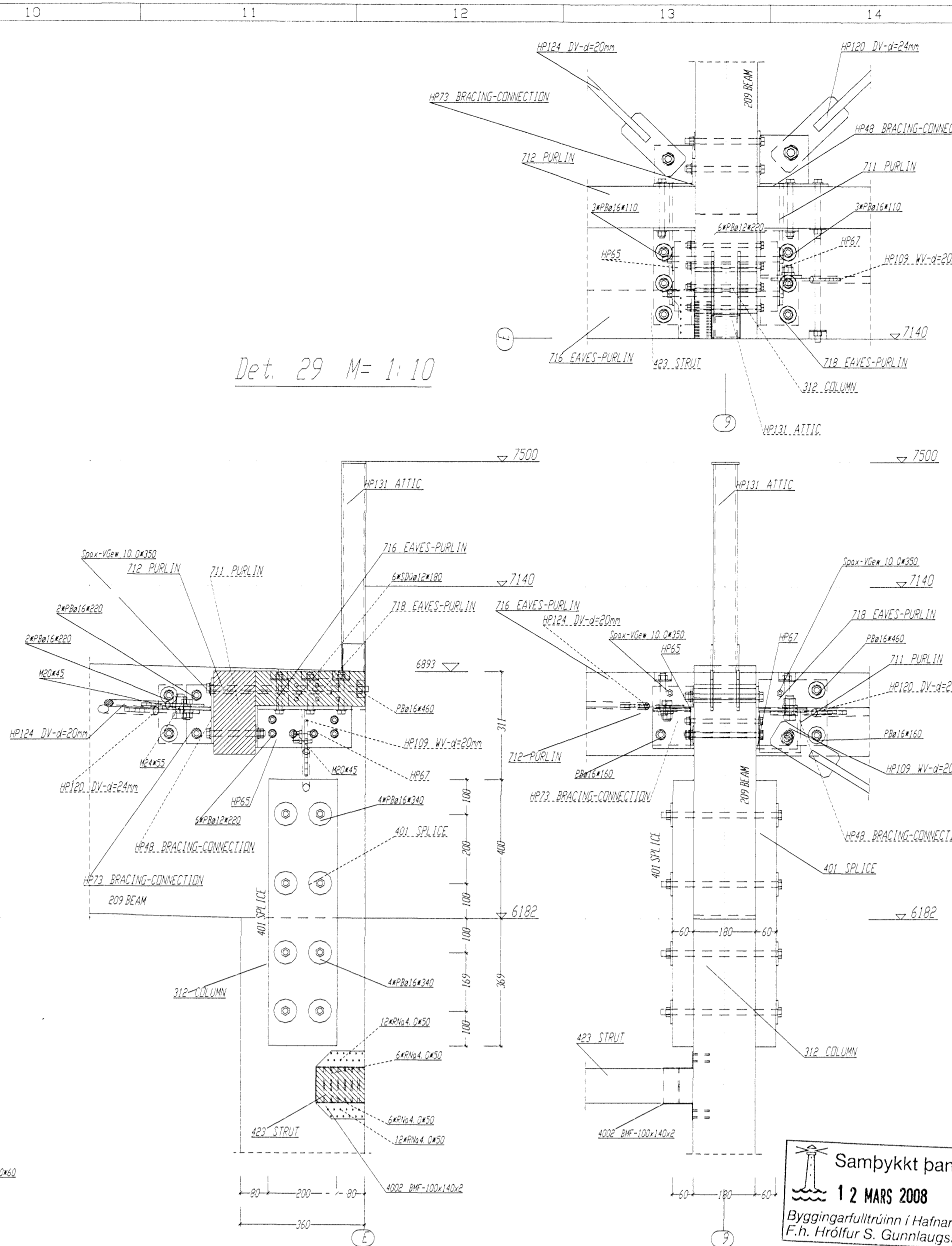
Det. 33 M= 1:10

Det. 31 M= 1:10

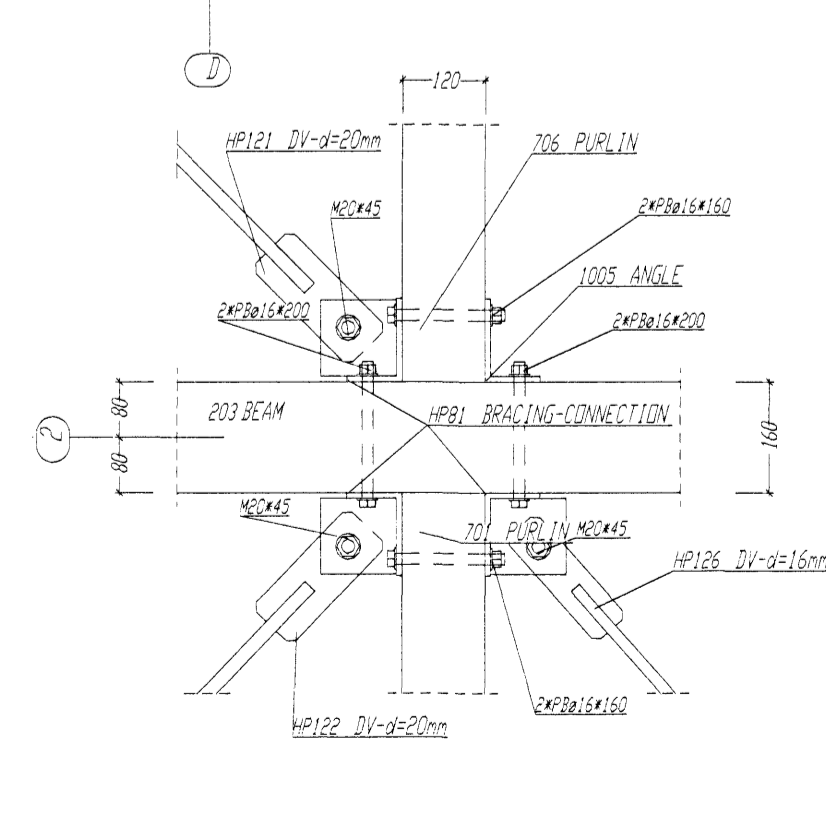
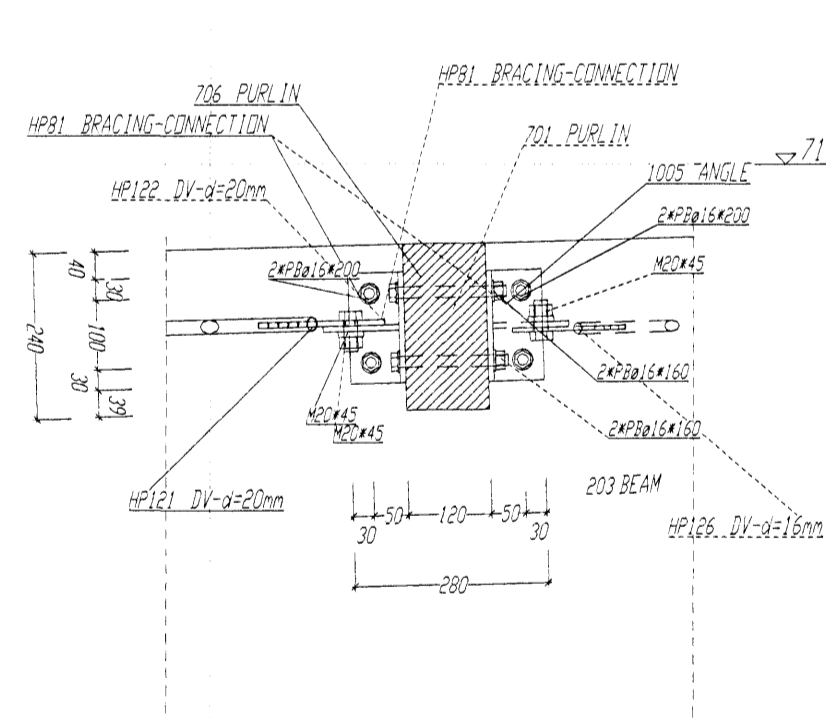


Det. 32 M= 1:10

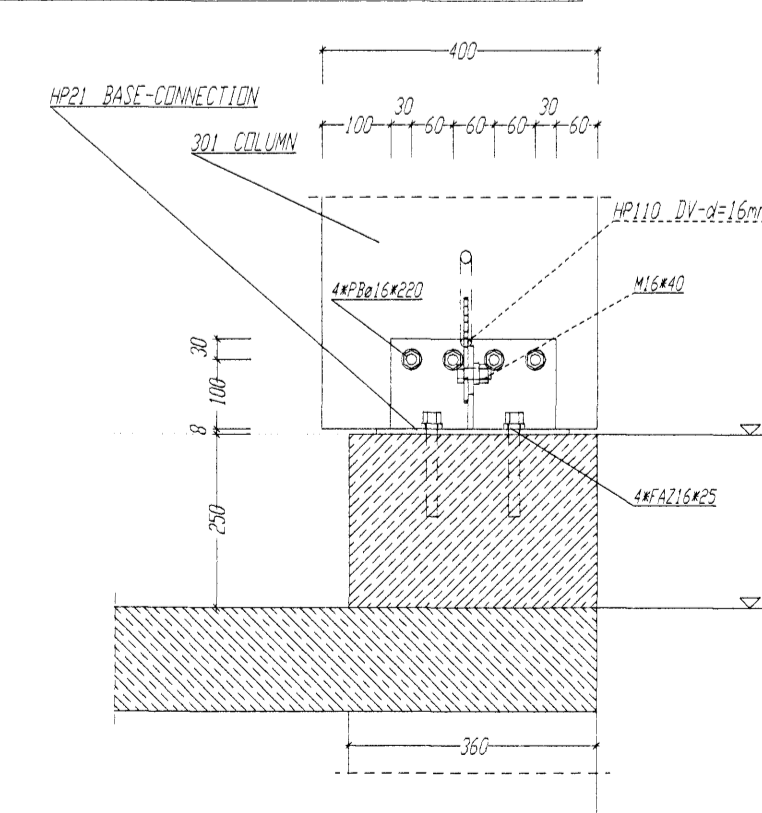
Det. 29 M= 1:10



Pos	Befirringun	Profil	Lengd	Verkst.
200	GIRDER	180/840	12950	Ø BS15c
203	BEAM	180/780	9850	7 BS14c
208	BEAM	180/780	9850	7 BS14c
209	BEAM	180/780	9850	7 BS14c
250	BEAM	180/380	2930	Ø BS11n
301	COLUMN	180/400	6780	6 BS11n
312	COLUMN	180/360	5984	Ø BS14c
318	COLUMN	150/260	2870	Ø BS16c
319	COLUMN	240/240	6409	Ø BS16c
320	COLUMN	240/240	6292	Ø BS11n
401	SPLICE	80/200	768	Ø BS11n
408	FACIAD-COLUMN	140/380	6499	Ø BS16c
420	STRAUT	180/200	2290	Ø BS11n
423	STRAUT	100/140	2440	Ø BS11n
701	PURLIN	120/240	5000	Ø BS11n
706	PURLIN	180/240	4960	Ø BS11n
711	PURLIN	180/240	4990	Ø BS11n
712	PURLIN	180/240	4990	Ø BS11n
716	EAVES-PURLIN	100/280	4990	Ø BS14c
718	EAVES-PURLIN	100/380	4990	Ø BS14c
1005	ANGLE	L120x80x8	180	Ø S235_RQ2
1009	ANGLE	L100x8	360	Ø S235_RQ2
1010	ANGLE	L100x8	360	Ø S235_RQ2
1021	PLATE	BL8x353	380	Ø S235_RQ2
400B	BWF HANGER	BMF-100x140x2	196	Ø BLECH
HP10	BASE-CONNECTION		280	Ø S235_RQ2
HP21	BASE-CONNECTION		280	Ø S235_RQ2
HP27	BASE-CONNECTION		280	Ø S235_RQ2
HP30	BASE-CONNECTION		750	Ø S235_RQ2
HP40	TOP-CONNECTION		708	Ø S235_RQ2
HP46	TOP-CONNECTION		708	Ø S235_RQ2
HP48	BRACING-CONNECTION		206	Ø S235_RQ2
HP55			280	Ø S235_RQ2
HP57			280	Ø S235_RQ2
HP73	BRACING-CONNECTION		170	Ø S235_RQ2
HP91	BRACING-CONNECTION		160	Ø S235_RQ2
HP103	WV-gj27mm		5848	Ø S235_RQ2
HP109	WV-gj20mm		8793	Ø S235_RQ2
HP110	DV-gj16mm		5607	Ø S235_RQ2
HP111	DV-gj16mm		5475	Ø S235_RQ2
HP120	DV-gj24mm		6749	Ø S235_RQ2
HP121	DV-gj20mm		6692	Ø S235_RQ2
HP122	DV-gj20mm		6792	Ø S235_RQ2
HP124	DV-gj20mm		6785	Ø S235_RQ2
HP136	DV-gj16mm		6566	Ø S235_RQ2
HP131	ATTIC		223	Ø S235_RQ2
HP136	ATTIC		636	Ø S235_RQ2
HP137	ATTIC		975	Ø S235_RQ2



Det. 35 M= 1:10



Det. 34 M= 1:10

Samykkt bann
12 MARS 2008
Bygginguðlitið í Hafnarfirði
F.h. Höfrúr S. Gunnlaugsson

Verbindingsmittel JOININGS
FAZ(a) : ØBT (STEEL - REINFORCED CONCRETE)
M(a) : ØBT (STEEL - STEEL)
ST(a) : ØBT (STEEL - WOOD)
T(a) : ØBT (STEEL - WOOD)
S(a) : ØBT (STEEL - WOOD)
S(a) : ØBT (STEEL - WOOD)
S(a) : ØBT (STEEL - WOOD)
S(a) : ØBT (STEEL - WOOD)
S(a) : ØBT (STEEL - WOOD)
S(a) : ØBT (STEEL - WOOD)

REV. A 25.10.07 E. Kessler
GLUAM REAMS: BS11n = GL24 / BS14c = GL28 / BS16c = GL32
ADHESION QUALITY: MELAMIN RESORCINHARZ
TREATMENT: 1 x VALTTI COLORLESS

STEFFL : S 235 JR G2
WELDED CONSTR. a=0.7xt PAINTED HD-GALVENIZED

W. u. J. Derix GmbH & Co
Holzleimbau
41378 Völkerruhten
Tel: 02163 / 9988-0
Fax: 02163 / 9988-7
mailto: info@derix.de
www.derix.de

ORDER FROM: **TEKK COMPANY**
PROJECT: **NORDURHELLA**
PROJECT-SITE: **ICELAND**
UNIT: **DETAL 26-35**
SCALE: 1:10
DESIGN BY: Kessler
DATE: 22.10.2007
DRAWN: 71.01.1
FILE-NAME: a-plan11a
SHEET NO: 11a

EMIL ÞÓR GUÐMUNDSSON
LÆKJASMÁRA 98
200 KÓPÁVOGUR
SÍMI: 544 4004
GSM: 898 9517
NETFANG: emil@emil.is
kt: 280458-3499

Norðurhella 10

Sniðmyndir

1:50
10 02 08
Sh5
EPG
EPG
EPG
11a