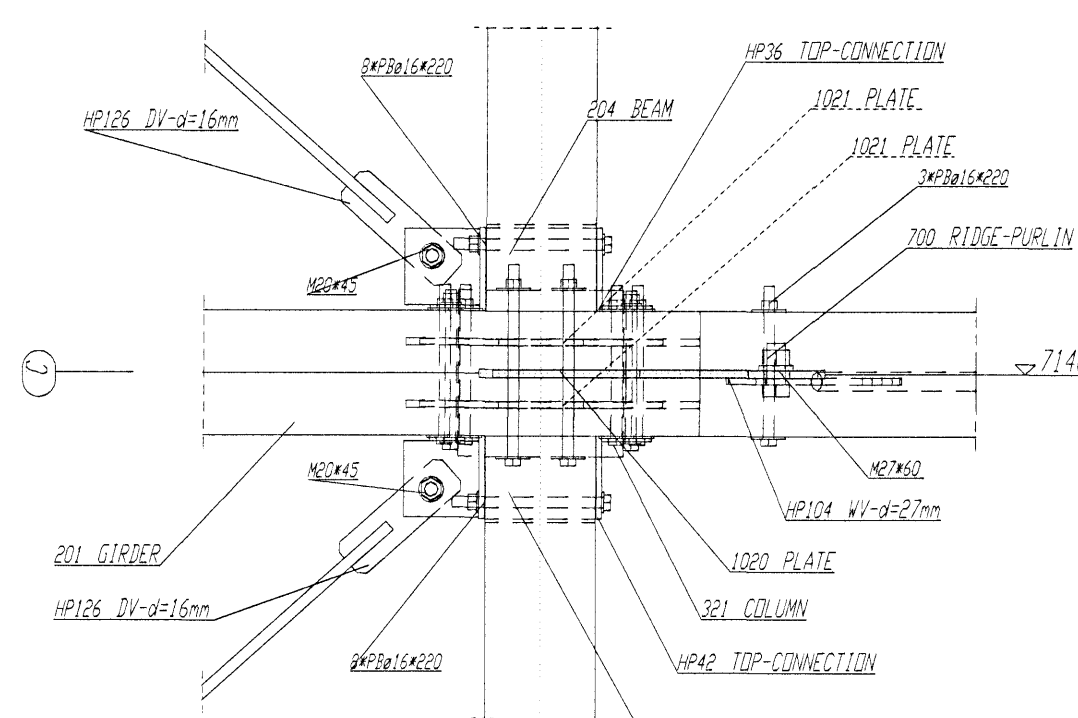
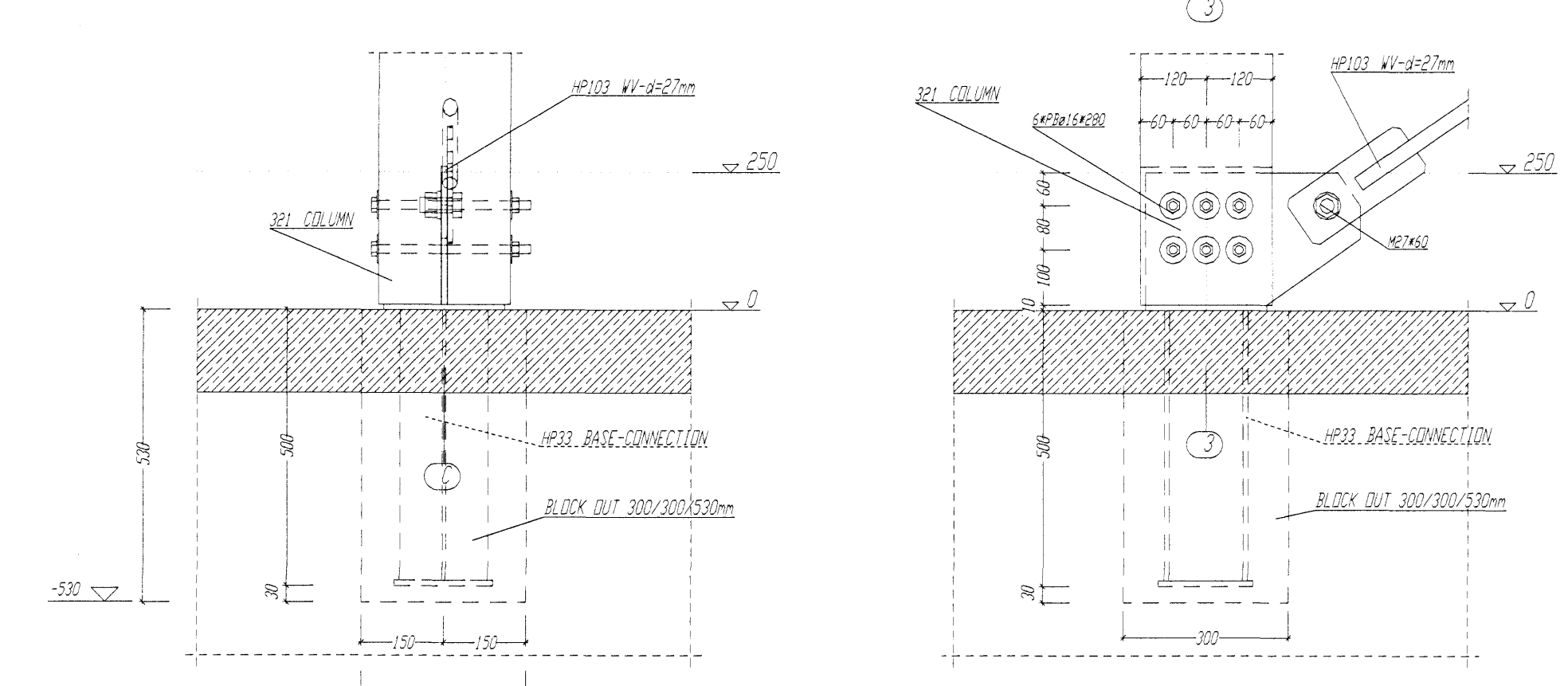


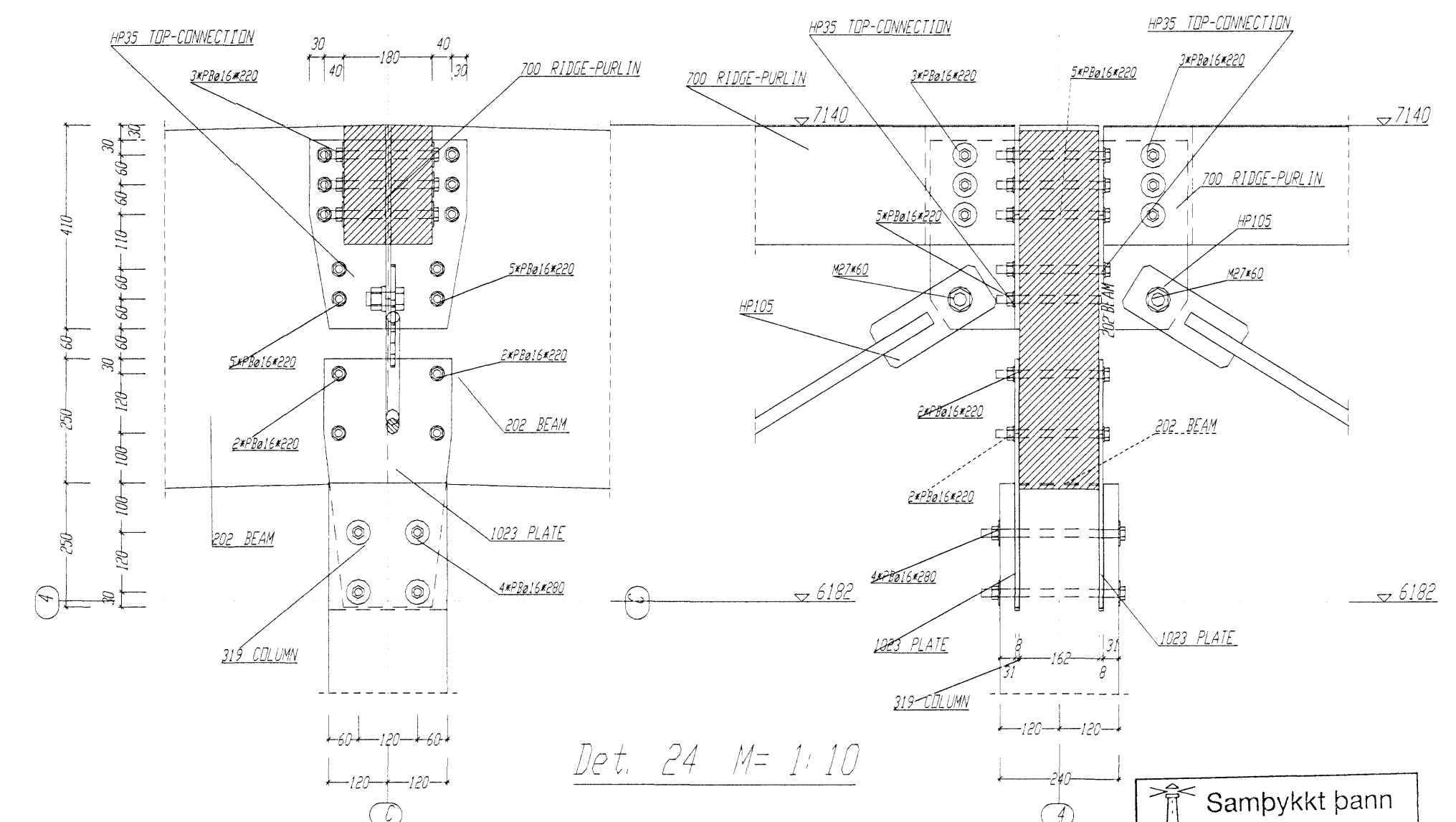
Det. 20 M= 1:10



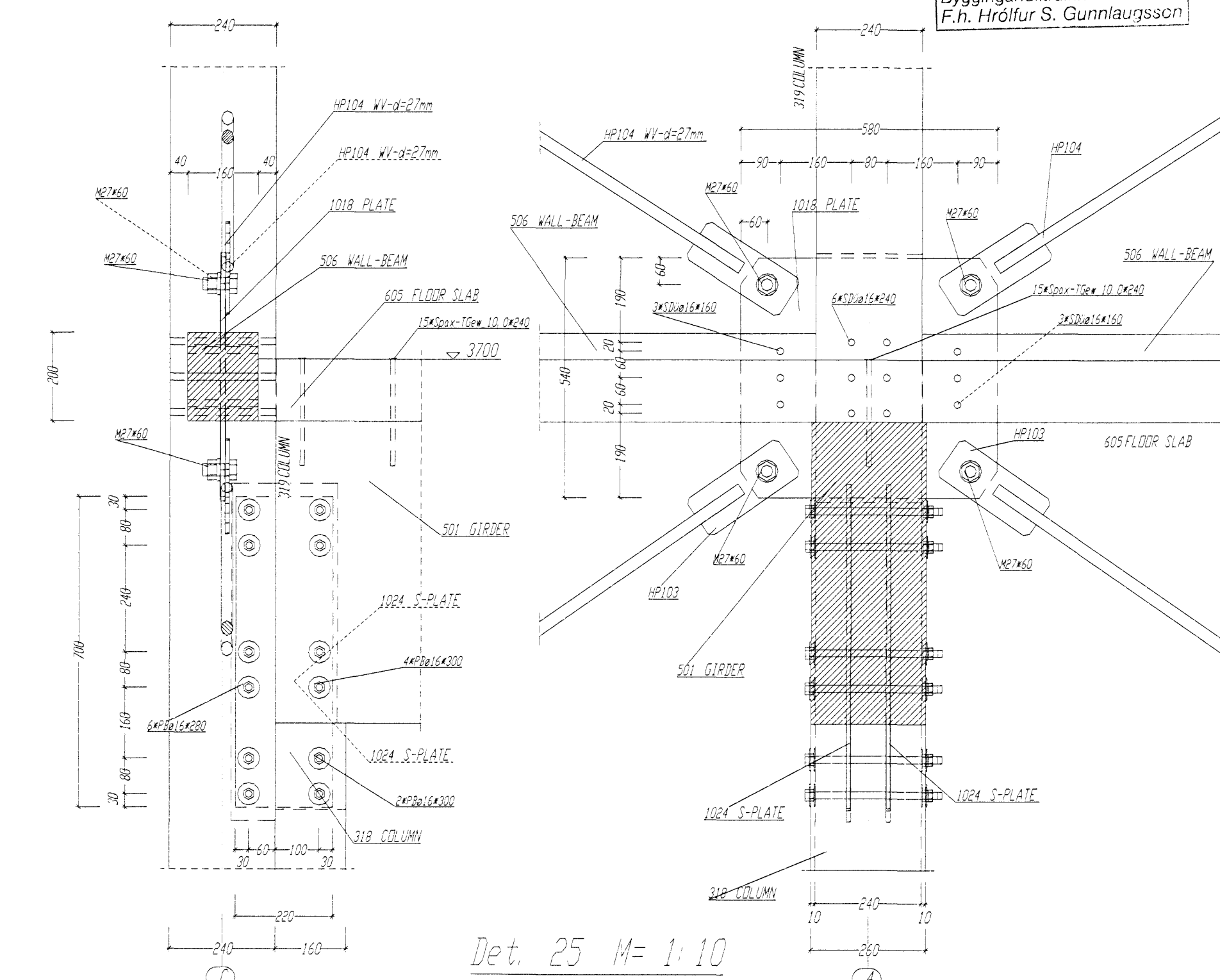
Det. 22 M= 1:10



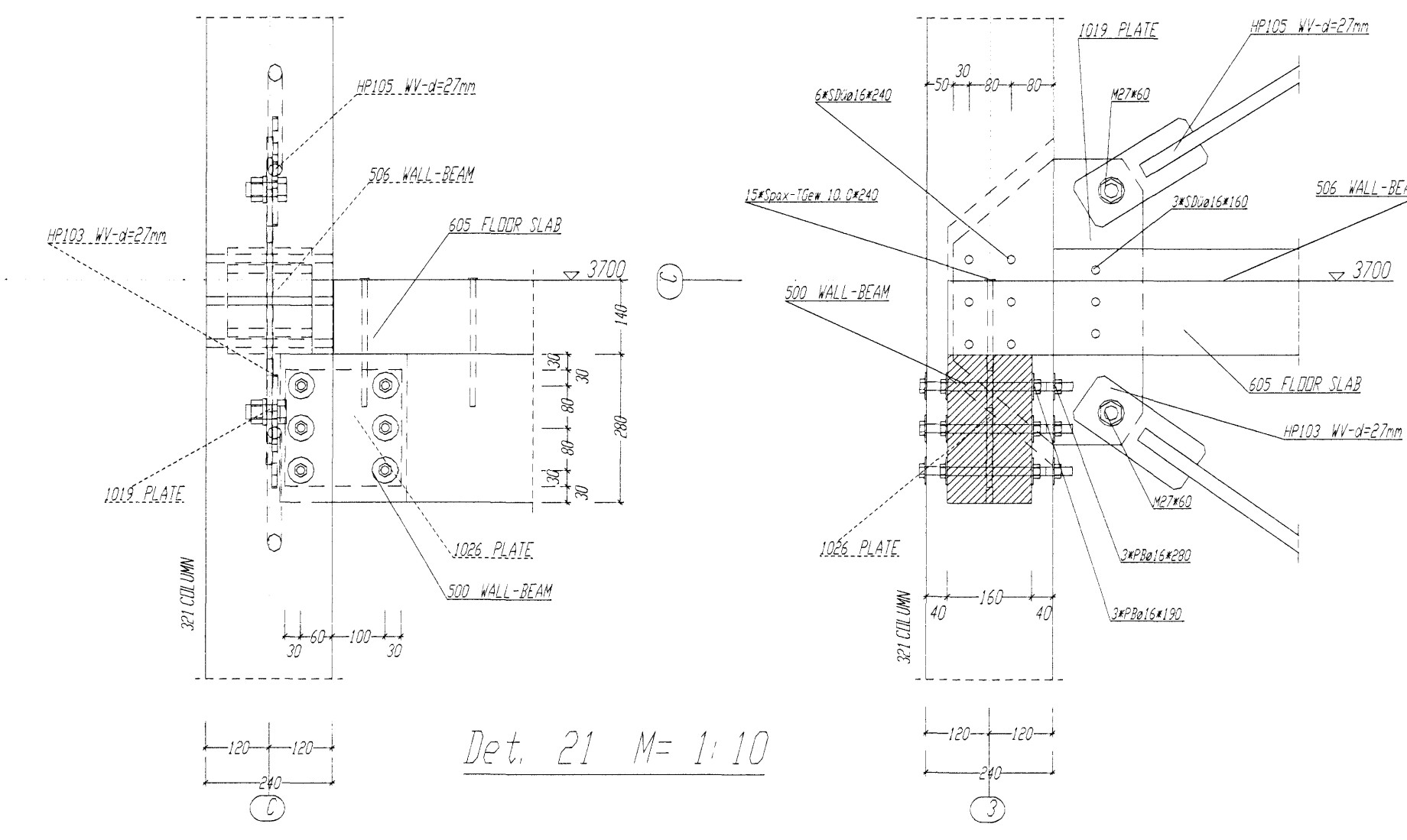
Det. 24 M= 1:10



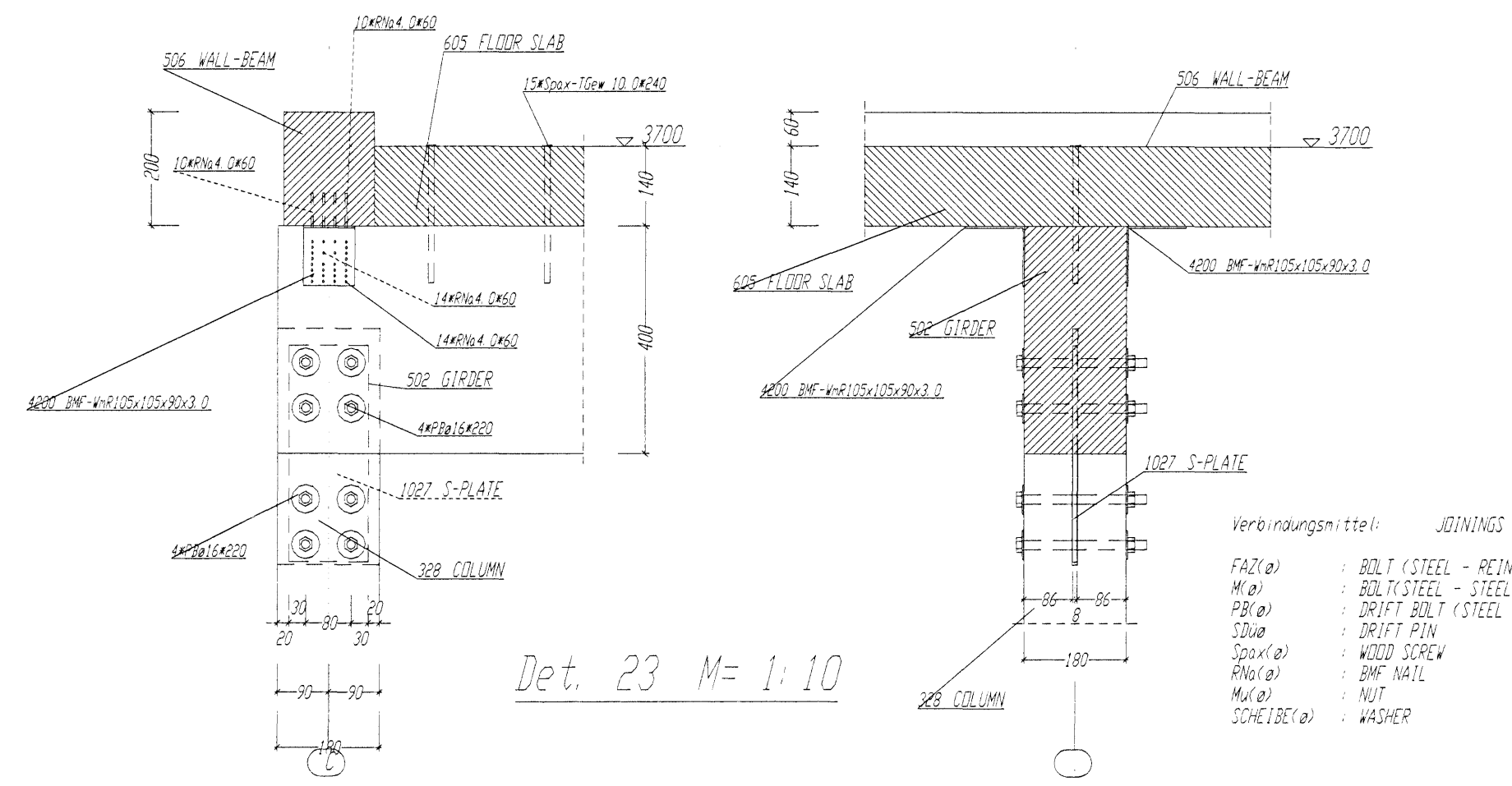
Det. 25 M= 1:10



Det. 21 M= 1:10



Det. 23 M= 1:10



Pos	Benennung	Prof.	Länge	Verk.
201	GIRDER	180/840	10510	D BS16c
202	BEAM	160/780	9940	B BS14c
204	BEAM	160/780	9850	B BS14c
212	BEAM	160/780	9850	B BS14c
218	COLUMN	160/260	2870	D BS16c
219	COLUMN	240/240	6409	B BS16c
221	COLUMN	240/240	6290	D BS16c
222	COLUMN	180/180	3152	D BS11h
200	WALL-BEAM	160/260	4720	D BS11h
201	GIRDER	280/680	3820	D BS16c
202	GIRDER	180/400	3010	D BS16c
203	WALL-BEAM	160/200	4920	D BS11h
605	FLOOR SLAB	140/680	10480	D BS11h
1000	RIDGE-PURLIN	180/240	4840	D BS11h
1018	PLATE	BL10x340	890	D SP35_RGE
1019	PLATE	BL10x340	360	D SP35_RGE
1020	PLATE	BL10x360	470	D SP35_RGE
1021	PLATE	BL8x253	380	D SP35_RGE
1023	PLATE	BL8x260	500	D SP35_RGE
1024	S-PLATE	BL8x260	700	D SP35_RGE
1025	PLATE	BL10x280	260	D SP35_RGE
1027	S-PLATE	FL140x8	380	D SP35_RGE
4200	ANGLE (BHF-105)	BHF-vnr105x105x90x3.0	90	D BLECH
HP33	BASE-CONNECTION		750	D SP35_RGE
HP35	TOP-CONNECTION		190	D SP35_RGE
HP36	TOP-CONNECTION		709	D SP35_RGE
HP42	TOP-CONNECTION		708	D SP35_RGE
HP103	WV-a=27mm		5848	D SP35_RGE
HP104	WV-a=27mm		5971	D SP35_RGE
HP105	WV-a=27mm		5679	D SP35_RGE
HP126	DV-a=16mm		6566	D SP35_RGE

Samþykkt þann
12 MARS 2008
Byggingarfulltrúinn í Hafnarfirði,
F.h. Hrólfur S. Gunnlaugsson

REV. A 25.10.07 E Kessler

GLUAM BEAMS: BS11h = GL24 / BS14c = GL28 / BS16c = GL32
ADHESION QUALITY: MELAMIN RESORCINHARZ
TREATMENT: 1 x VALTTI COLORLESS

STEEL: S 235 JR G2
WELDED CONSTR. a=0.7xt PAINTED HD-GALVANIZED

W. G. J. Derix GmbH & Co.
Holzleimbau
Dan 63
41378 Niederrhein
Tel: 02163 / 8988-0
Fax: 02163 / 8988-7
HSTP // www.derix.de
email: info@derix.de

**HOLZLEIMBAU
DERIX**

ORDER FROM: **TEKK COMPANY**

PROJECT: **NORDURHELLA**

ICELAND

DETAIL 20-25

DESIGNED BY: Kessler DATE: 22.10.2007 ORDER: 71 0 7 FILE-NAME: option-10a SHEET NO: 10a

EMIL ÞÓR GUDMUNDSSON
LEIKASMÁRA 98
200 KÓPAVOGUR
SÍMI: 544 4004
GSM: 898 9517
NETFANG: emil@emil.is
kt: 280456-3499

Norðurhella 10

Sniðmyndir

1:50
10 02 08
Sh5

10a