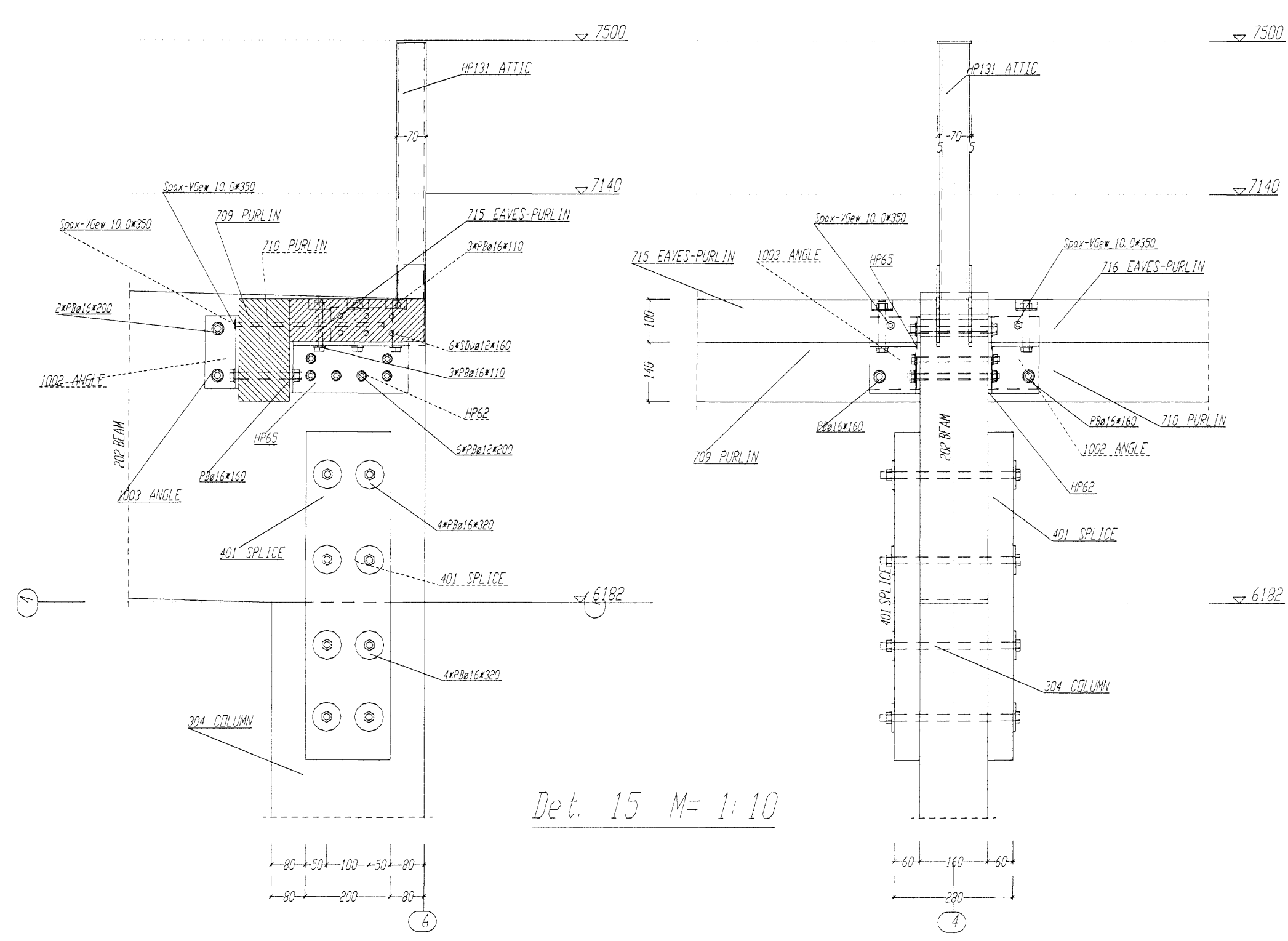
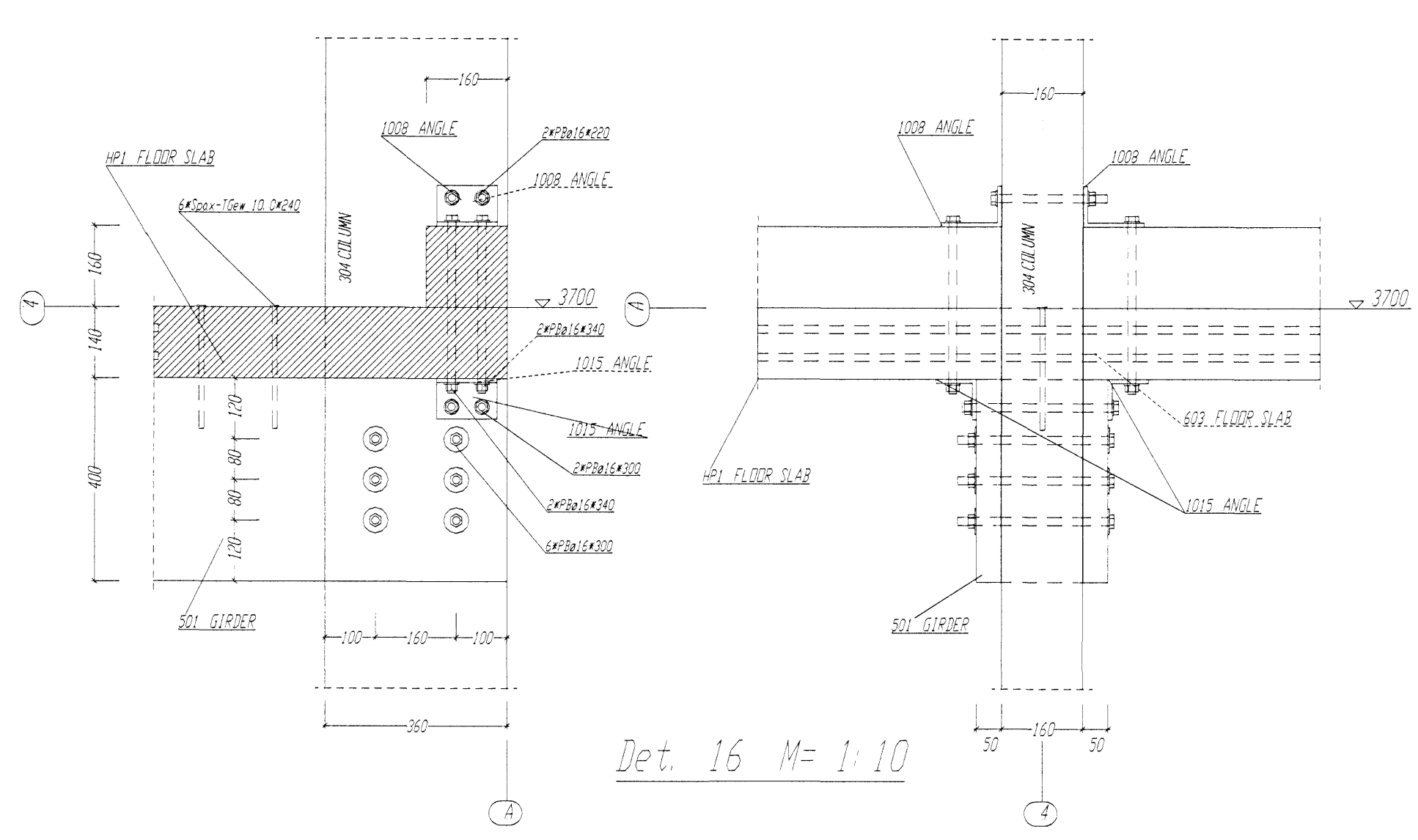


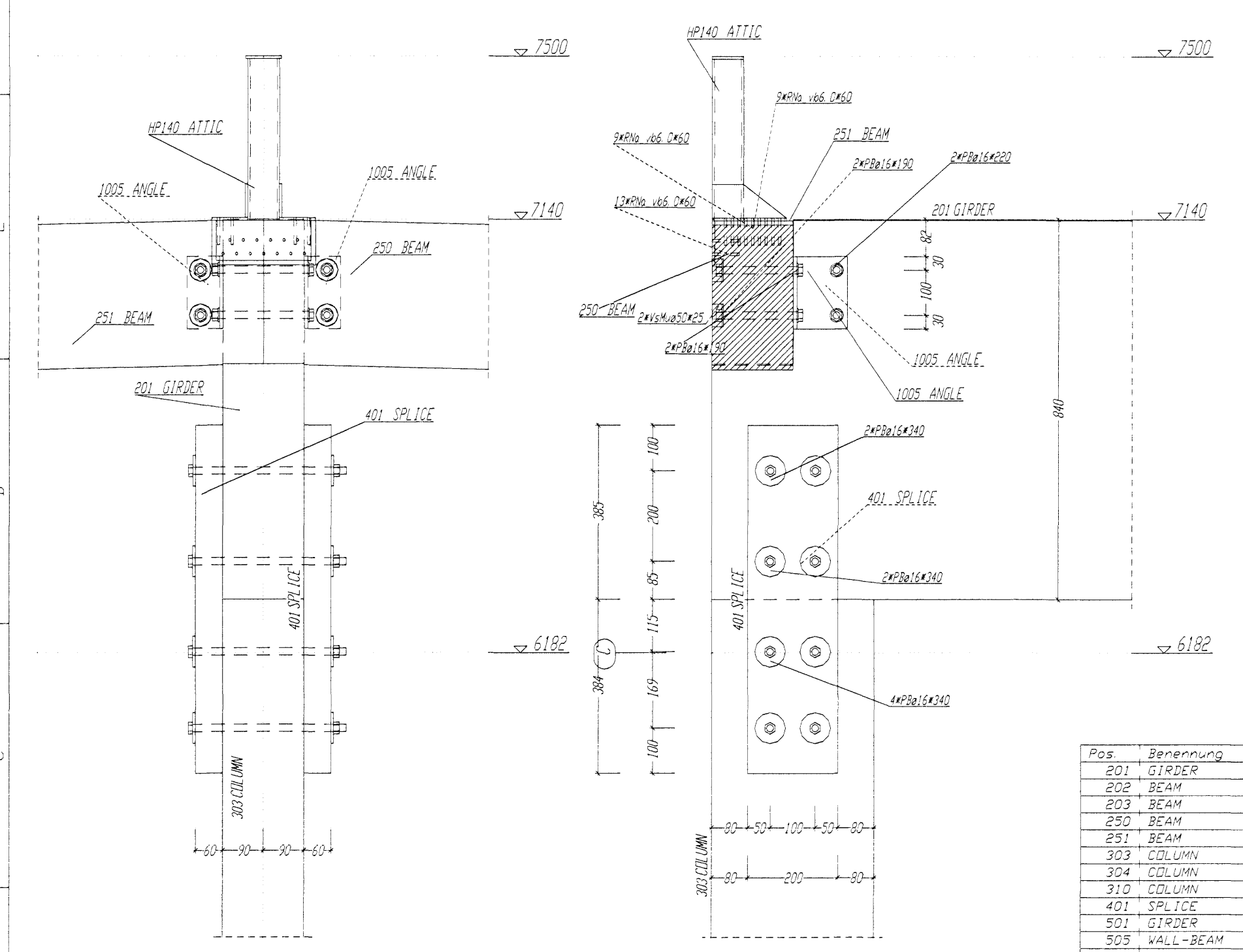
Det. 14 M= 1:10



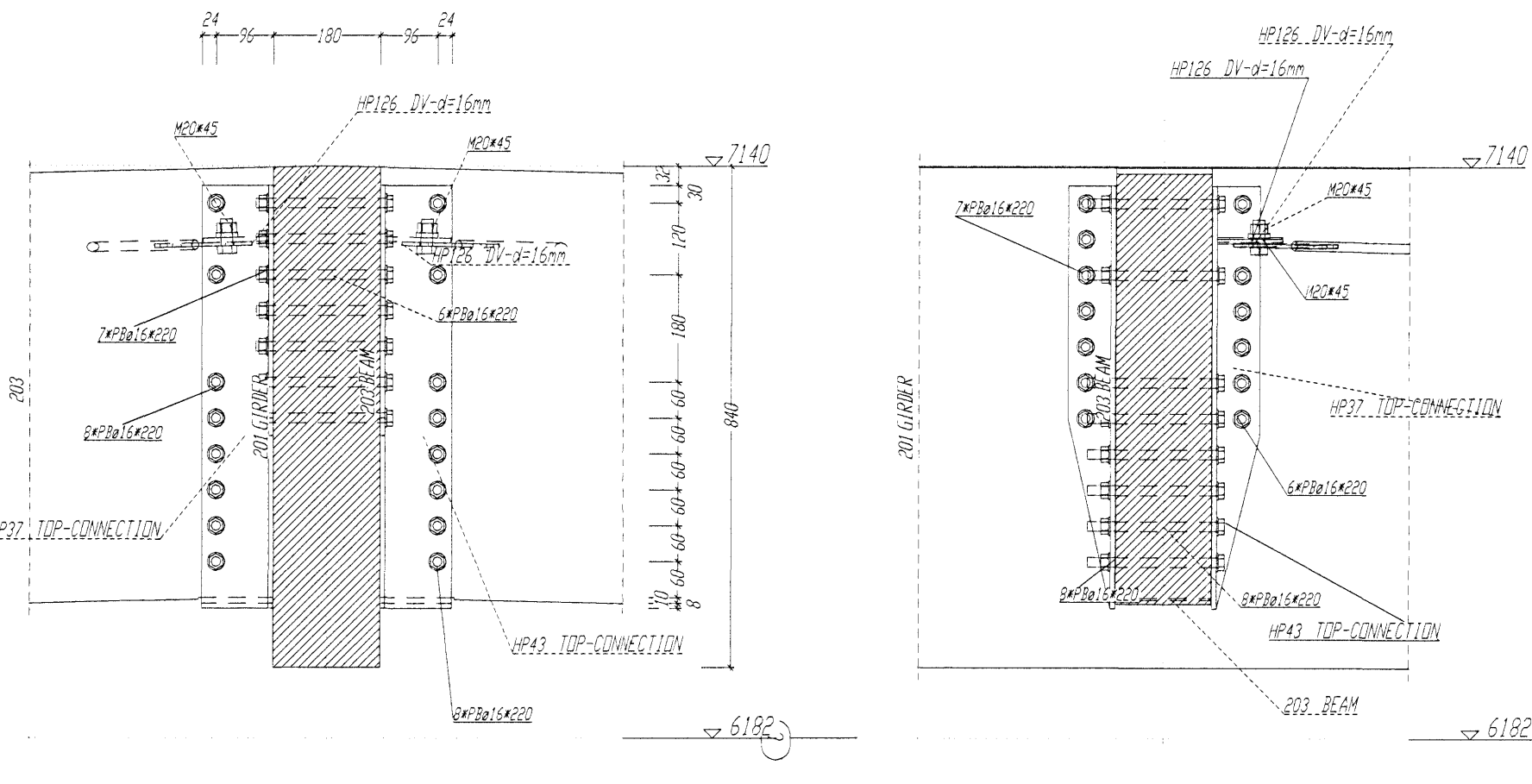
Det. 15 M= 1:10



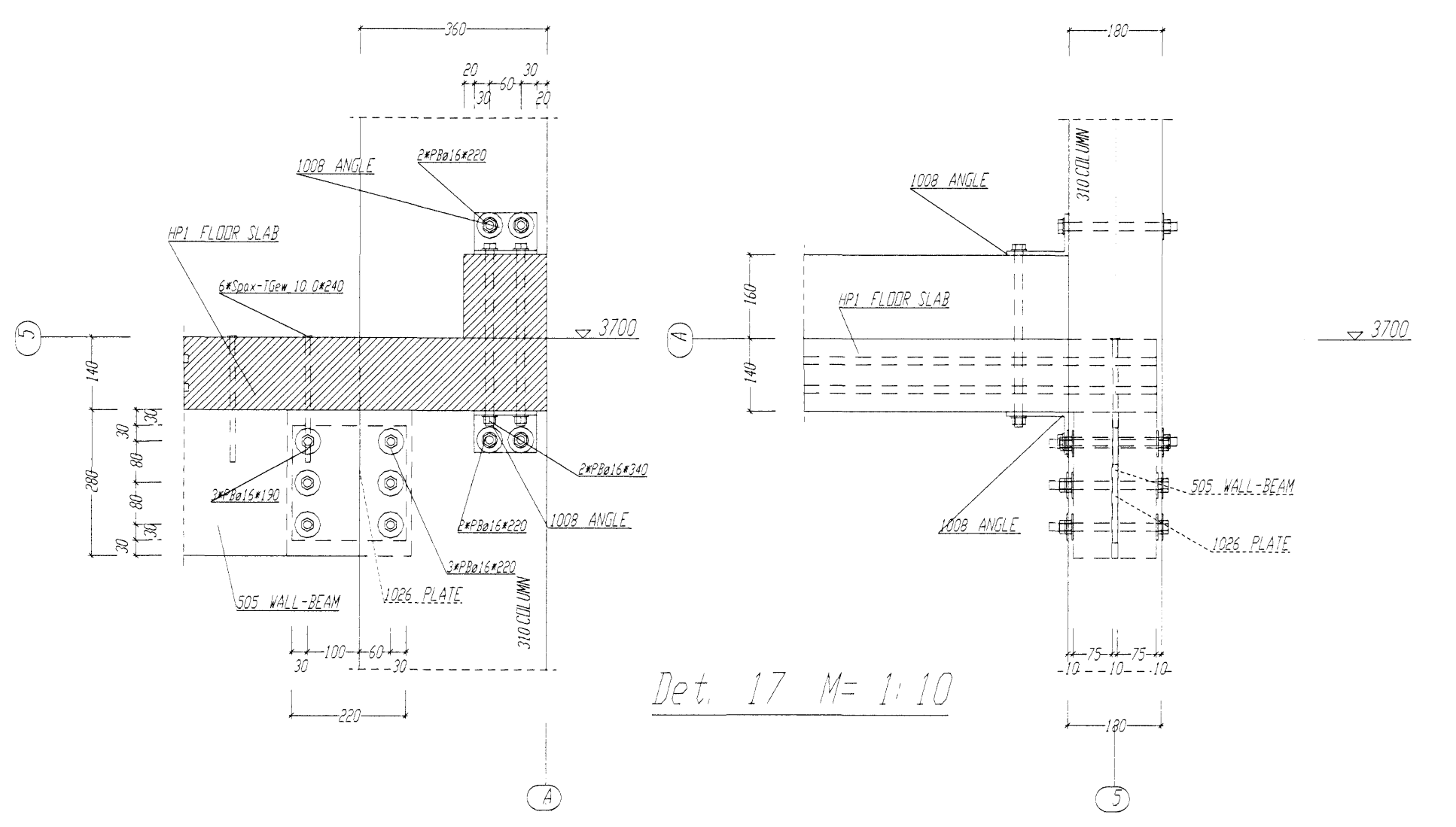
Det. 16 M= 1:10



Det. 18 M= 1:10



Det. 19 M= 1:10



Det. 17 M= 1:10

Pos	Benningun	Profili	Laenge	Verkst
201	GIRDER	180/840	10510	Ø BS16c
202	BEAM	160/780	9940	Ø BS14c
203	BEAM	160/780	9880	Ø BS14c
280	BEAM	180/380	9930	Ø BS11n
281	BEAM	180/380	9930	Ø BS11n
303	COLUMN	180/360	6042	Ø BS16c
304	COLUMN	160/360	5924	Ø BS14c
310	COLUMN	180/360	5924	Ø BS14c
401	SPLICE	80/200	768	Ø BS11n
501	GIRDER	260/680	9800	Ø BS16c
505	WALL-BEAM	180/280	640	Ø BS11n
603	FLOOR SLAB	140/780	10480	Ø BS11n
709	PURLIN	180/240	5000	Ø BS11n
710	PURLIN	180/240	4980	Ø BS11n
715	EAVES-PURLIN	100/380	5000	Ø BS14c
716	EAVES-PURLIN	100/380	4990	Ø BS14c
1008	ANGLE	L120x80x8	170	Ø SS35_R02
1009	ANGLE	L120x80x8	170	Ø SS35_R02
1005	ANGLE	L120x80x8	160	Ø SS35_R02
1006	ANGLE	L120x80x8	120	Ø SS35_R02
1015	ANGLE	L80x8	180	Ø SS35_R02
1026	PLATE	BL10x220	220	Ø SS35_R02
HP1	FLOOR SLAB	10480	Ø BS11n	
HP37	TOP-CONNECTION	708	Ø SS35_R02	
HP43	TOP-CONNECTION	708	Ø SS35_R02	
HP82		280	Ø SS35_R02	
HP85		280	Ø SS35_R02	
HP136	DV-9216mm	6565	Ø SS35_R02	
HP130	ATTIC	280	Ø SS35_R02	
HP131	ATTIC	282	Ø SS35_R02	
HP133	ATTIC	607	Ø SS35_R02	
HP140	ATTIC	492	Ø SS35_R02	

Verbindungritil: JOININGS  
 FAZ(a) : BOLT (STEEL - REINFORCED CONCRETE)  
 M(a) : BOLT (STEEL - STEEL)  
 P(a) : DRIFT BOLT (STEEL - WOOD)  
 S(a) : DRIFT PIN  
 S(a) : WOOD SCREW  
 P(a) : S/W NAIL  
 M(a) : NUT  
 S(a) : WASHER

REV. A 25.10.07 E. Kessler  
 GLUAM BEAMS: BS11n = GL24 / BS14c = GL28 / BS16c = GL32  
 ADHESION QUALITY:  MELAMIN  RESORCINHARZ  
 TREATMENT:  1 x VALTTI COLORLESS

STEEL : S 235 JR G2  
 WELDED CONSTR.  a=0.7xt  PAINTED  HD-GALVENIZED

W. U. J. Derix GmbH & Co.  
 Holzleimbau  
 41378 Niederkrüchten  
 Tel: 02163 / 9998-0  
 Fax: 02163 / 99997  
 http://www.derix.de  
 e-mail: info@derix.de

**HOLZLEIMBAU DERIX**

ORDER FROM: **TEKK COMPANY**  
 PROD. BY: **NÖRÐURHELLA**

ICELAND  
 DETAL 14-19

SCALE	DATE	ORDER	FILE-NAME	SHEET NO
1:10	22.10.2007	71.014	op1an-99	99

**EMIL ÞÓR GUÐMUNDSSON**  
 LÆKJAMÁRA 98  
 200 KÖPAVOGUR  
 GSM: 544 4004  
 GSM: 898 9517  
 NETFANG: emil@emil.is  
 KT: 280456-3499

**Norðurhella 10**

Sniðmyndir

TRAV	DATE	VERK NR
1:50	10.02.09	Sh5

TEKNIÐ: EPG  
 EPK  
 EPK

EMIL ÞÓR GUÐMUNDSSON  
 LÆKJAMÁRA 98

9a