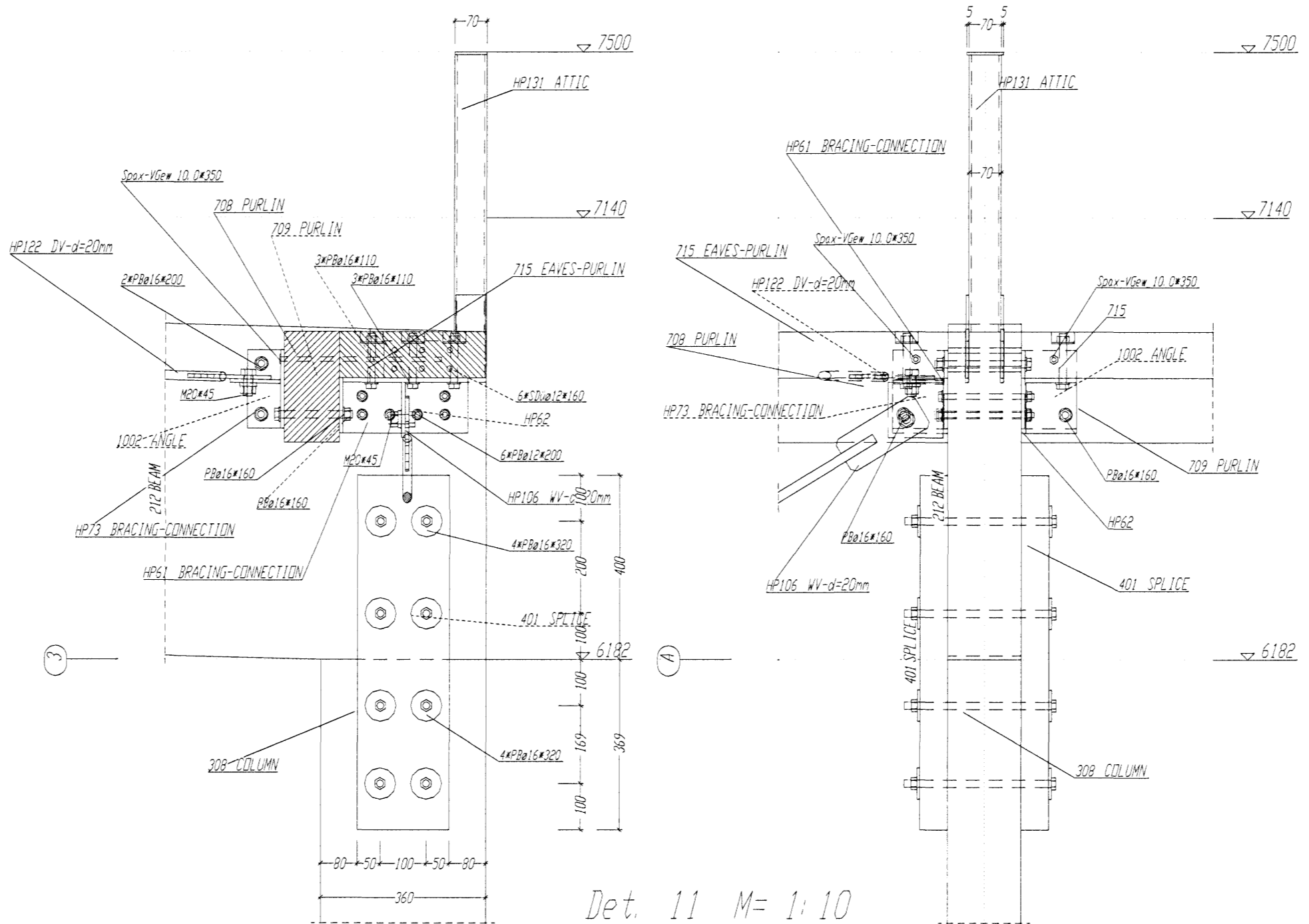
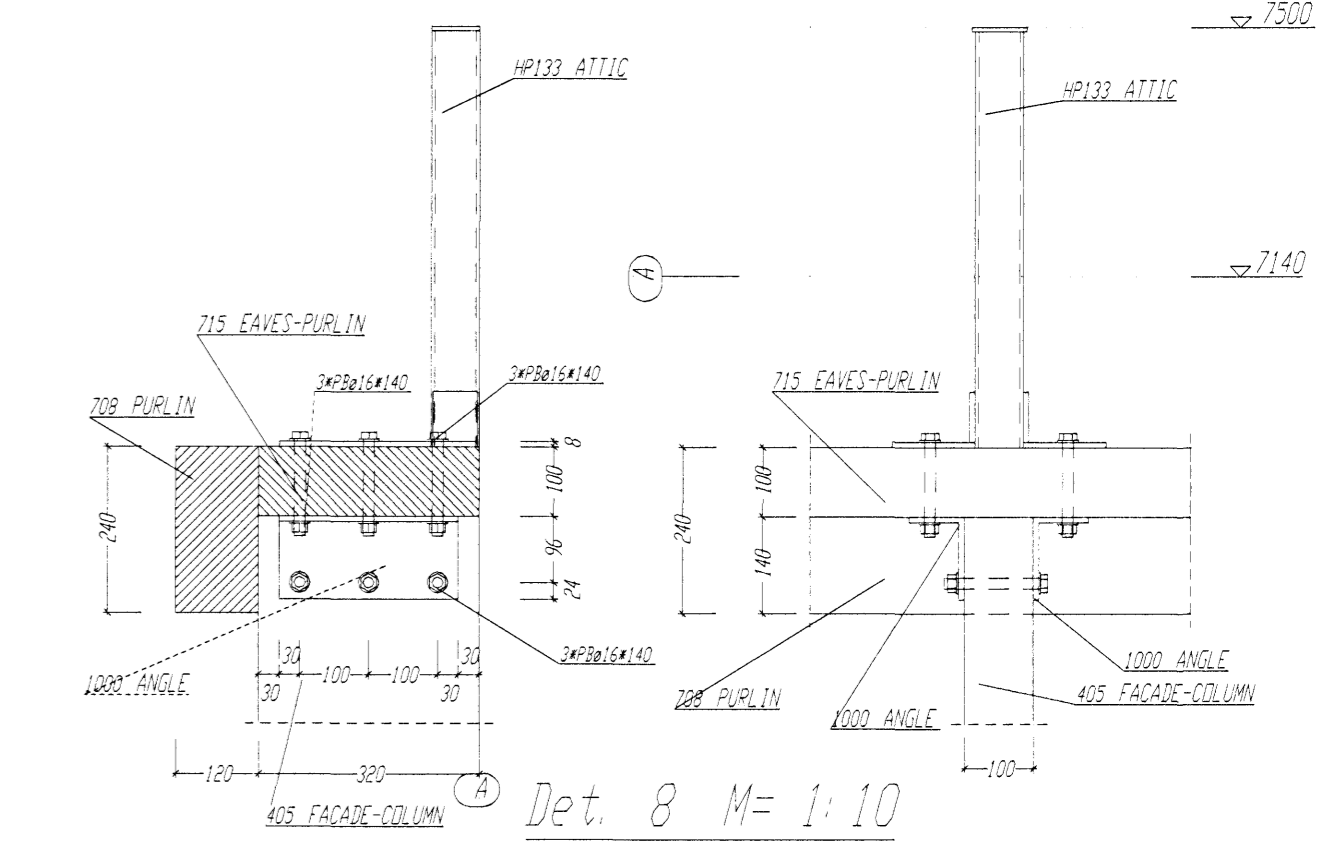


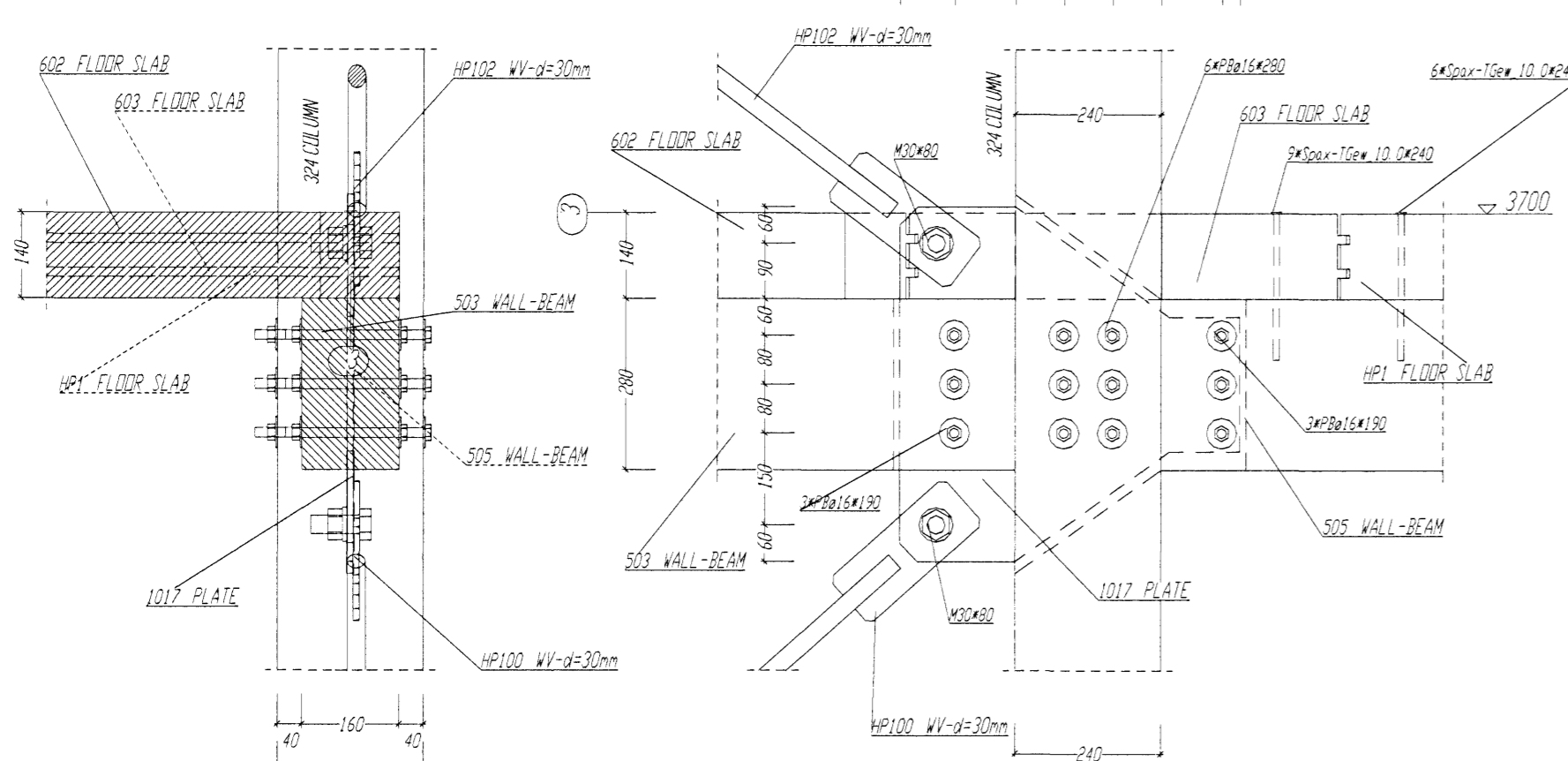
Det. 11.1 M= 1:10



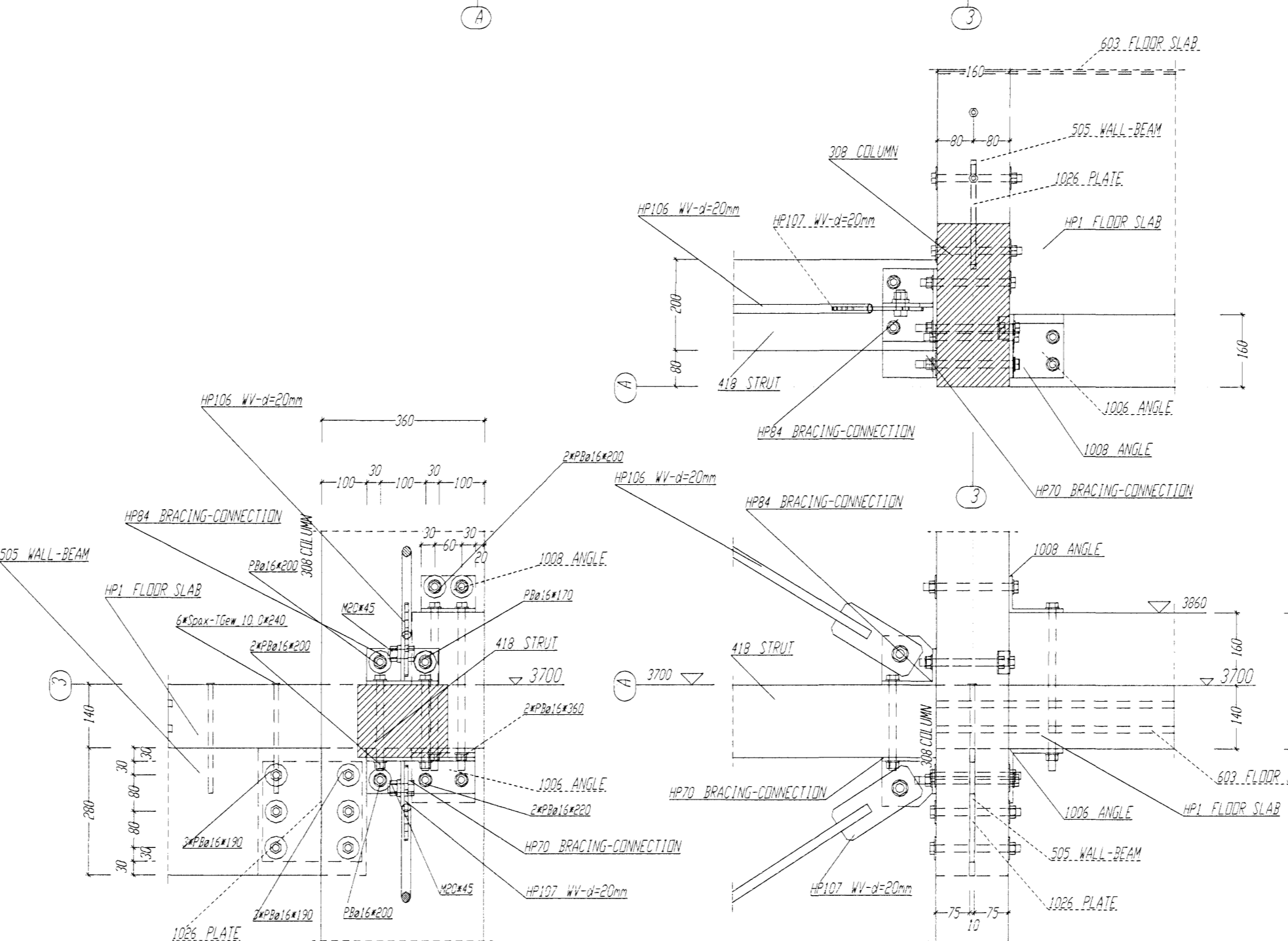
Det. 11 M= 1:10



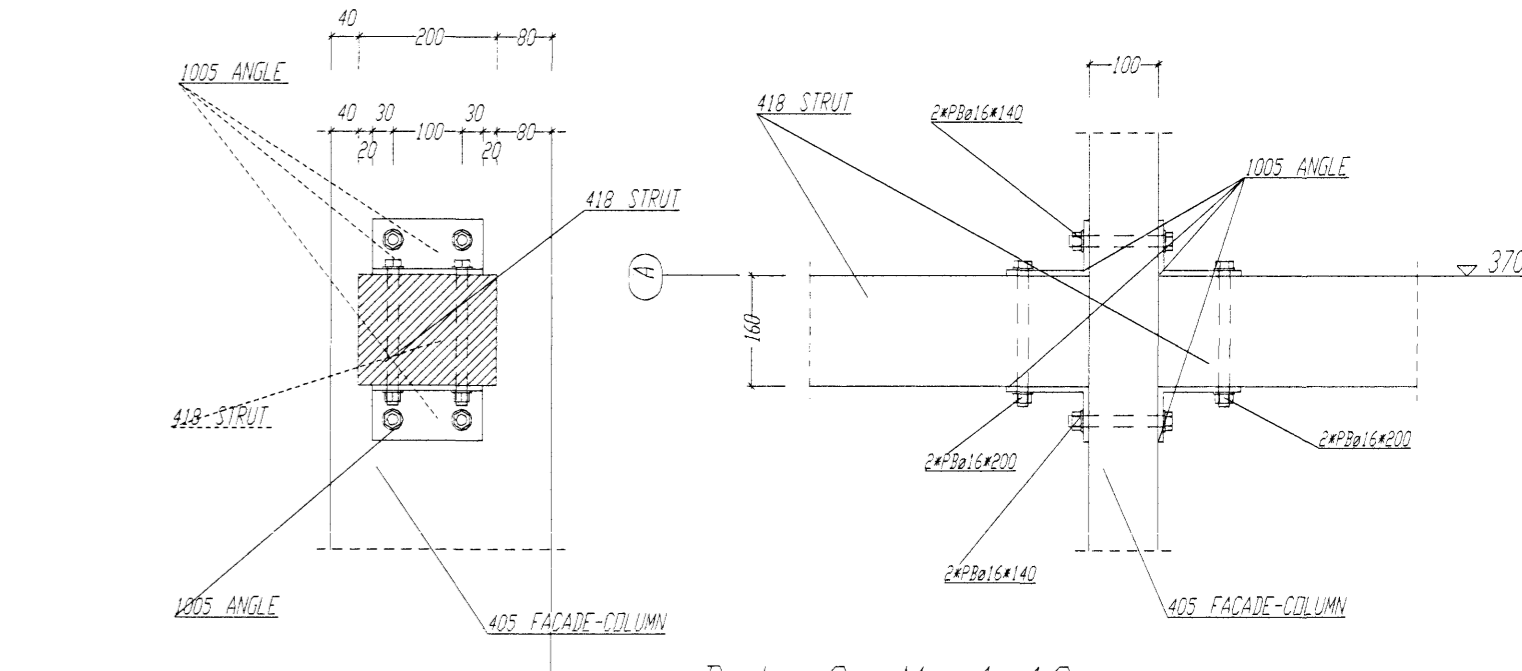
Det. 8 M= 1:10



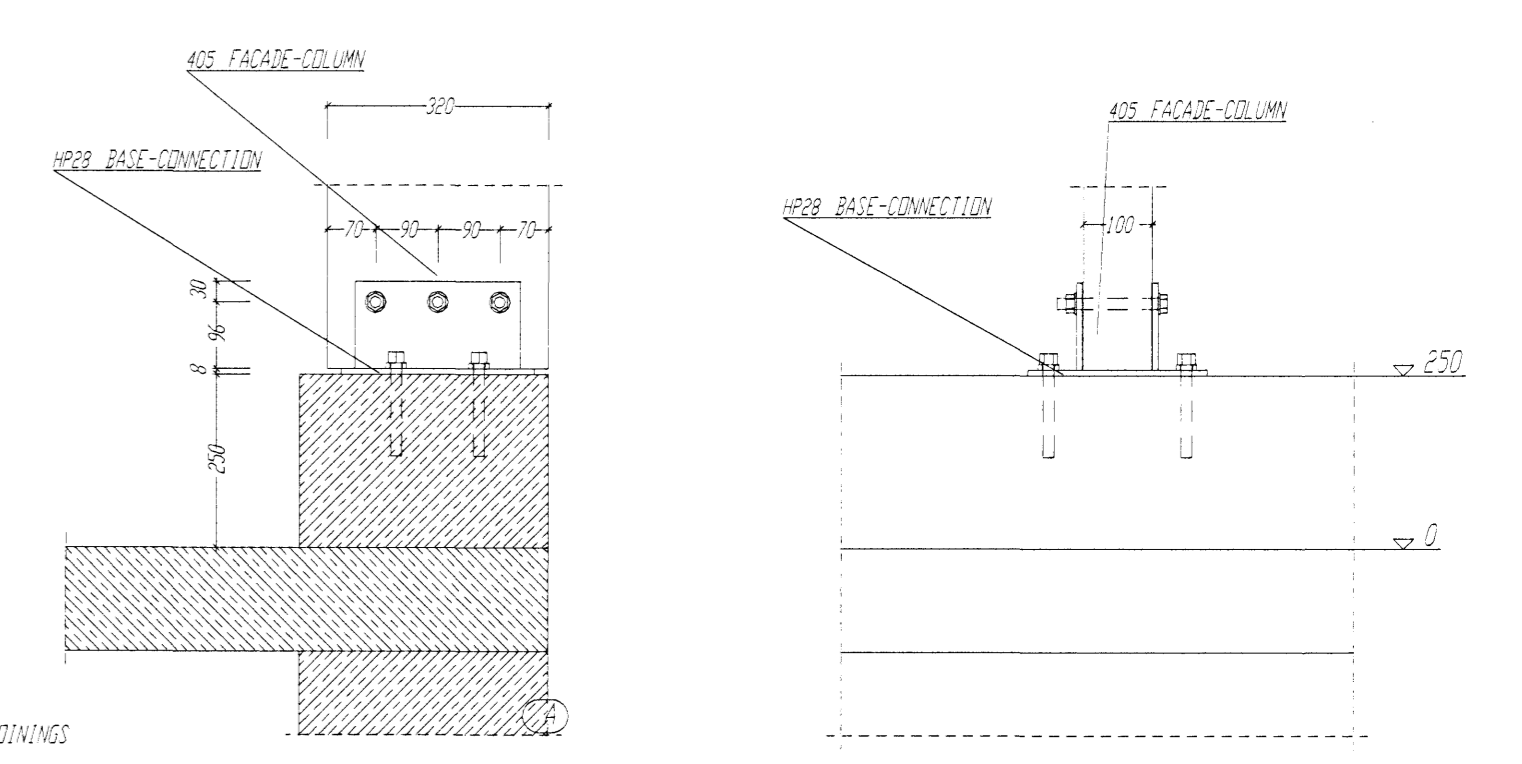
Det. 12.1 M= 1:10



Det. 12 M= 1:10



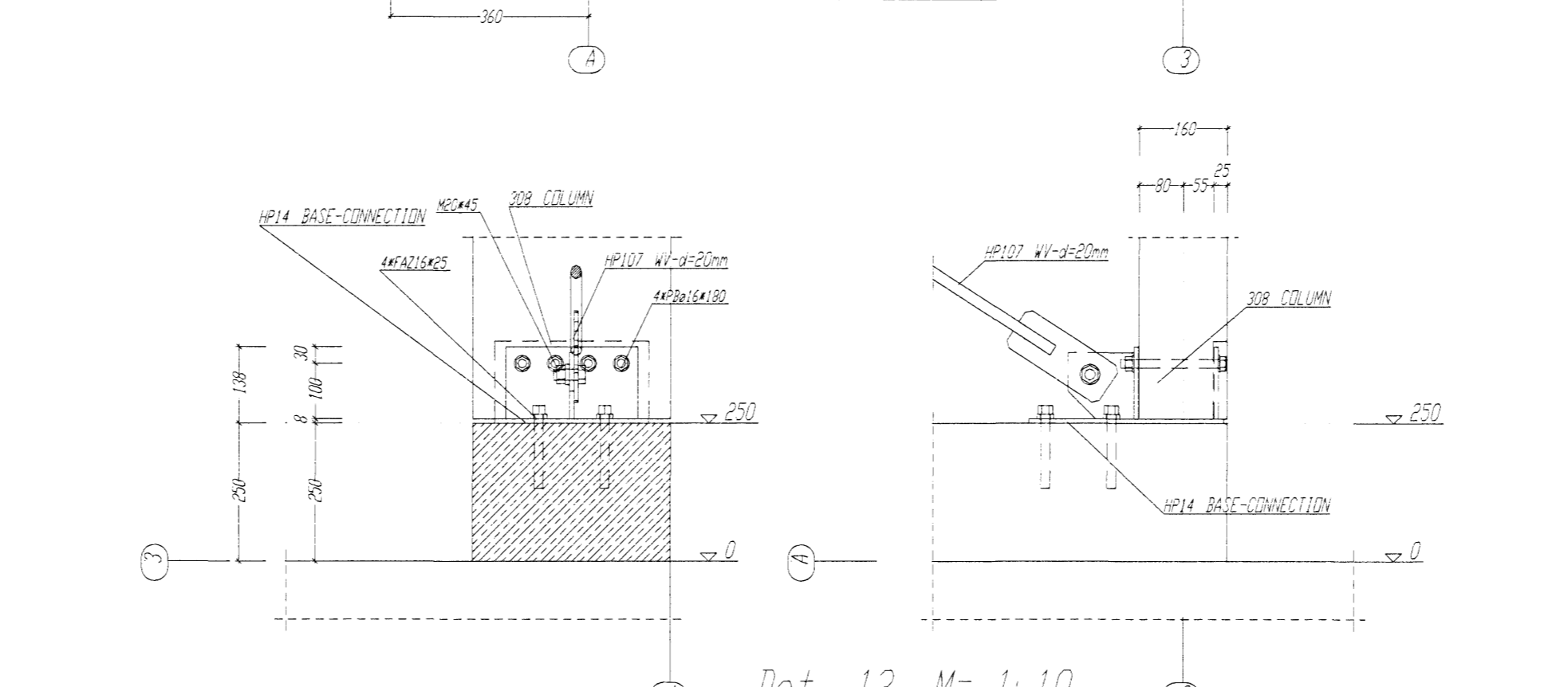
Det. 9 M= 1:10



Det. 10 M= 1:10

Þiss	Stærning	Prof. í	Lengd	Verkst.
212	BEAM	160x720	9850	7
324	COLUMN	160x360	5824	0
324	COLUMN	240x240	6193	3
401	SPRICE	60x200	758	8
405	FACADE-COLUMN	160x280	6335	2
418	STRUT	160x200	2450	0
502	WALL-BEAM	160x280	3600	0
505	WALL-BEAM	160x280	640	0
602	FLOOR SLAB	140x720	10480	0
603	FLOOR SLAB	140x720	10480	0
708	PURLIN	160x240	5000	0
709	PURLIN	160x240	5000	0
715	EAVES-PURLIN	100x280	5000	0
1000	ANGLE	L120x80x8	260	0
1002	ANGLE	L120x80x8	170	0
1005	ANGLE	L120x80x8	160	0
1006	ANGLE	L120x10	140	0
1008	ANGLE	L120x80x8	120	0
1017	PLATE	B110x300	860	0
1022	PLATE	B110x330	390	0
1026	PLATE	B110x280	820	0
HP1	FLOOR SLAB	L10480	0	0
HP14	BASE-CONNECTION	280	0	0
HP28	BASE-CONNECTION	280	0	0
HP31	BASE-CONNECTION	790	0	0
HP71	BRACING-CONNECTION	130	0	0
HP82	BRACING-CONNECTION	580	0	0
HP70	BRACING-CONNECTION	240	0	0
HP72	BRACING-CONNECTION	170	0	0
HP84	BRACING-CONNECTION	160	0	0
HP100	VV-g=30mm	4632	0	0
HP101	VV-g=30mm	4292	0	0
HP102	VV-g=30mm	4346	0	0
HP105	VV-g=30mm	2732	0	0
HP107	VV-g=20mm	5833	0	0
HP108	VV-g=20mm	6792	0	0
HP131	ATTIC	607	0	0
HP133	ATTIC	607	0	0

Det. 13.1 M= 1:10



Det. 13 M= 1:10

Verðingarskjal:  
FAZ(a) : BOLT (STEEL - REINFORCED CONCRETE)  
M(a) : BOLT (STEEL - STEEL)  
PB(a) : DRIFT BOLT (STEEL - WOOD)  
S(a) : DRIFT PIN  
S(a) : WOOD SCREW  
P(a) : BMP NAIL  
M(a) : NUT  
S(a) : WASHER

REV. A 25.10.07 E Kessler  
GLUAM BEAMS: BS11h = GL24 / BS14c = GL28 / BS16c = GL32  
ADHESION QUALITY:  MELAMIN  RESORCINHARZ  
TREATMENT:  1 x VALTTI COLORLESS

STEEL : S 235 JR G2  
WELDED CONSTR.  PAINTED  HD-GALVANIZED

**HOLZLEIMBAU DERIX**  
W. U. J. Dericx GmbH & Co.  
Holzleimbau  
Dan 63  
41378 Nordermunchen  
Tel: 02163 / 8988-0  
Fax: 02163 / 8988-7  
http://www.dericx.de  
e-mail: info@derix.de

ORDER FROM: **TEKK COMPANY**  
PROJECT: **NORDURHELLA**  
ICELAND  
DETAIL 8-13.1

**EMIL ÞÓR GUDMUNDSSON**  
LÆKJASÁRA 98  
200 KÓPAVOGUR  
SÍMI: 844 4004  
GSM: 898 9517  
NETFANG: emil@emil.is  
Kl. 280458-3499

**Norðurhella 10**  
Sniðmyndir

SKV	DAGS	VERK NR
1:10	10.02.08	Sh5
TEKNAÐ	VEFPAÐ	SAÐMYKKT
EPG	EPG	EPG

8a