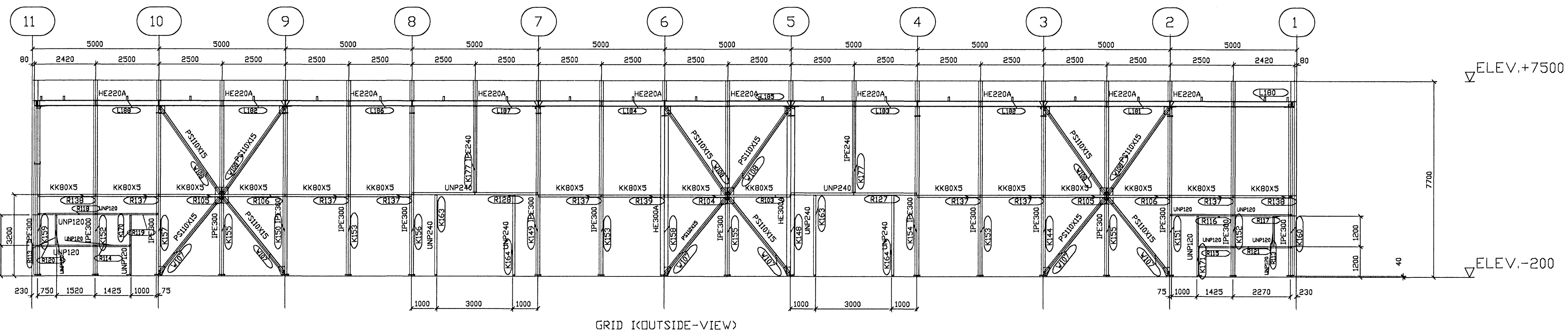
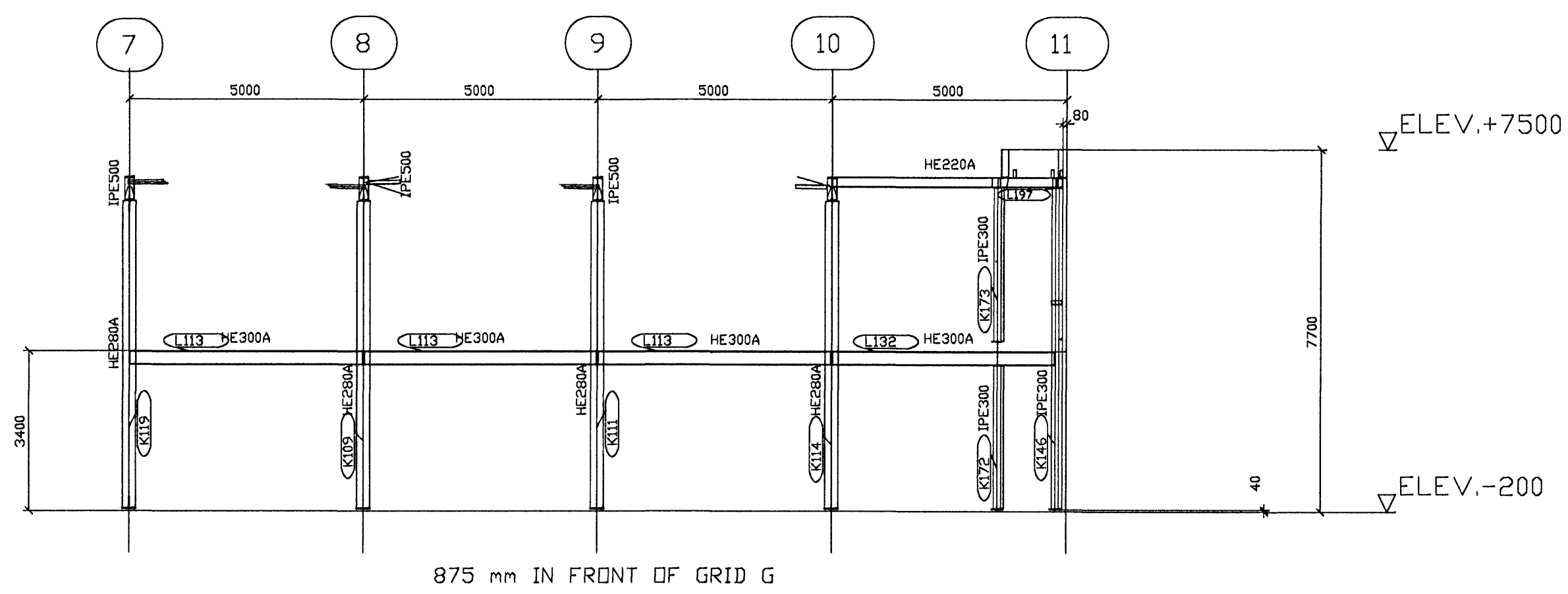
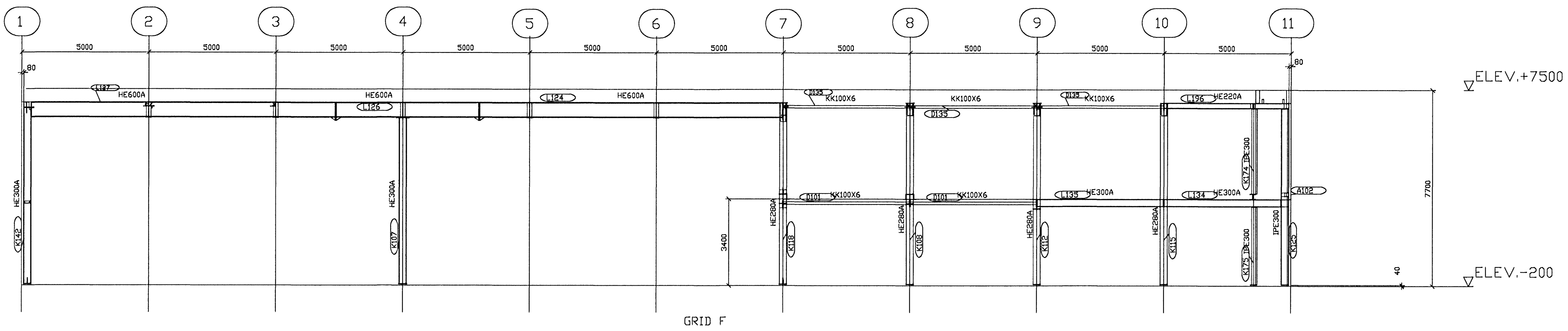
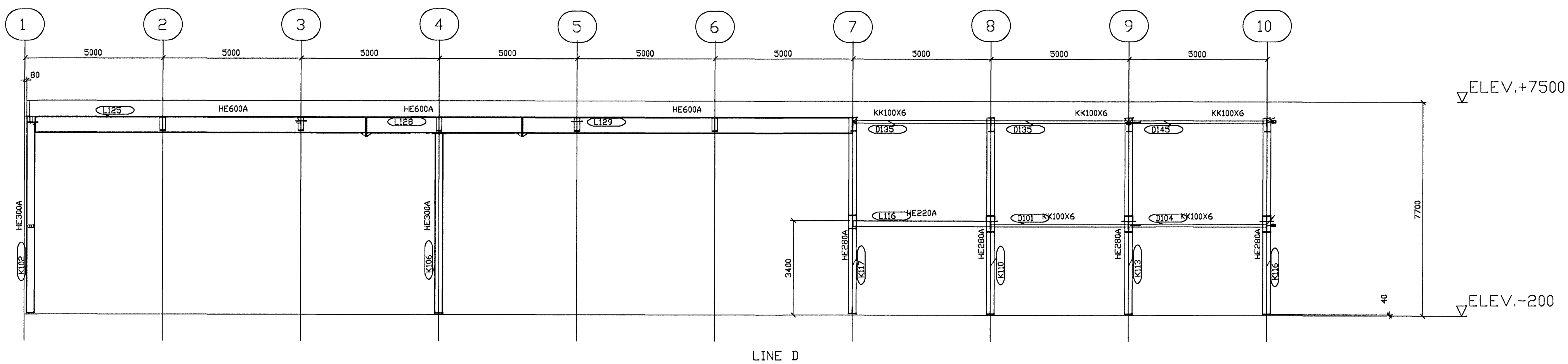


Samþykkt þann
23 APR 2008
Byggingarfulltrúinn / Hafnarfrs.
F.h. Hrólfur S. Gunnlaugsson



COATING:
PRIMER 100 mu
RAL 9002

EMIL ÞÓR GUMBUNDSSON LEIÐSMAÐARI 200 KÓPAVOGUR SÍMI: 544 4004 GSM: 598 9517 NETFANG: emil@emil.is ST: 230456-3499			
Selhella 5			
Burðarvirki húsa Festingarplan			
PROJ. NO:	DATE:	REV. NO:	REV. DATE:
1:50/1:20	25.10.07	K118	
TEKNAF:	TEKNAF:	TEKNAF:	TEKNAF:
EBG	EPG	EPG	EPG
EMIL ÞÓR GUMBUNDSSON			B14
EMIL ÞÓR GUMBUNDSSON			STRÚCÁÐ

NOTES HOLES → BOLTS → STUDS ×

VAN DE BOVENKAMP	ISSUED	07-11-07	DRAWN BY	RAE	PROJEKT Nr.	07.067.2
2776 AC Bovenkamp Tel: +31-40-46103 E-mail: info@bovenkamp.nl	REVISION	2	REVISION TIME	11/07	SHEET Nr.	014
SUBJECT		SECTIONS LINE D-F-G AND I		PRINCIPAL		
PROJECT TITLE		SELHELLA		PRINCIPAL		
LOCATION		ICELAND		ICELAND		