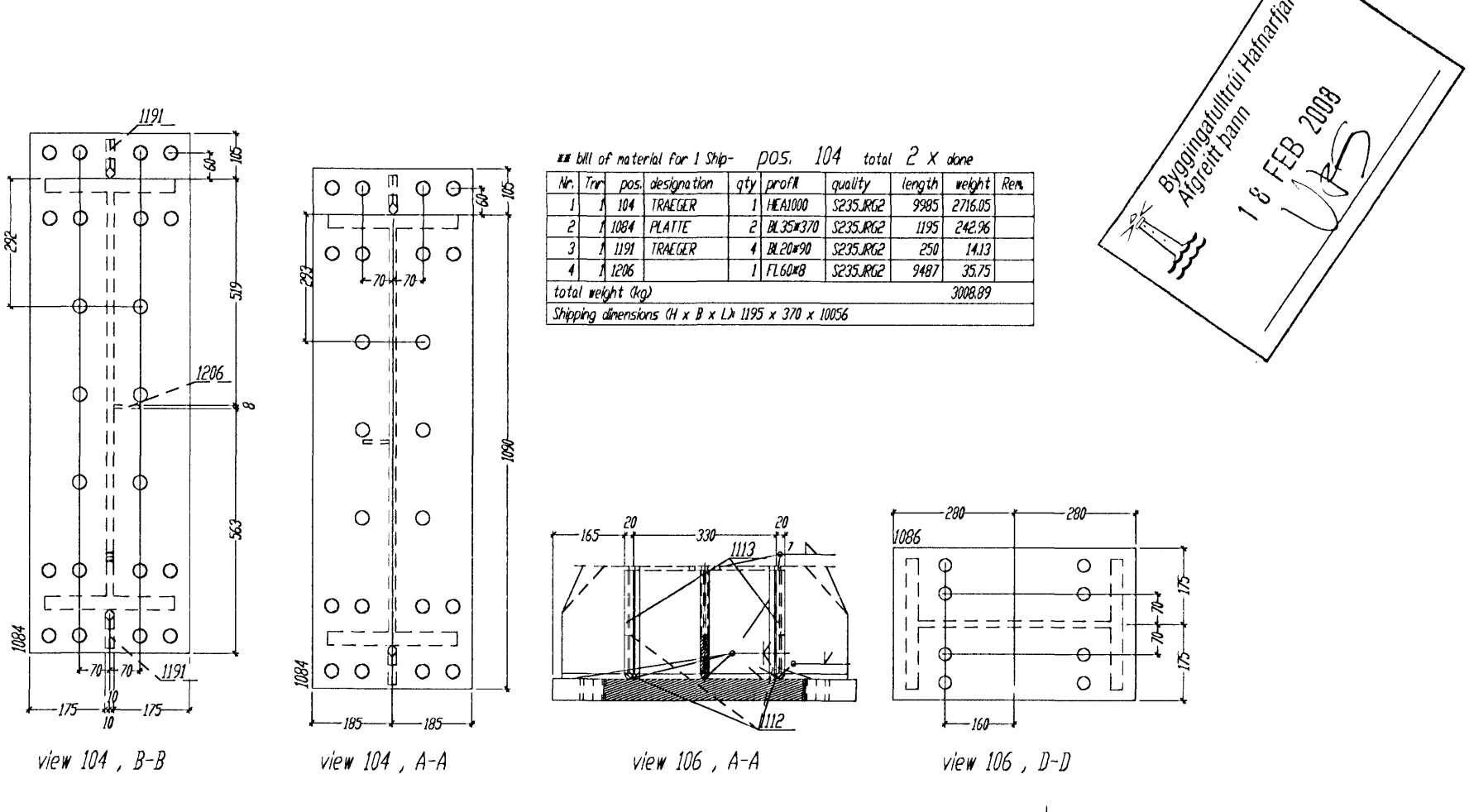
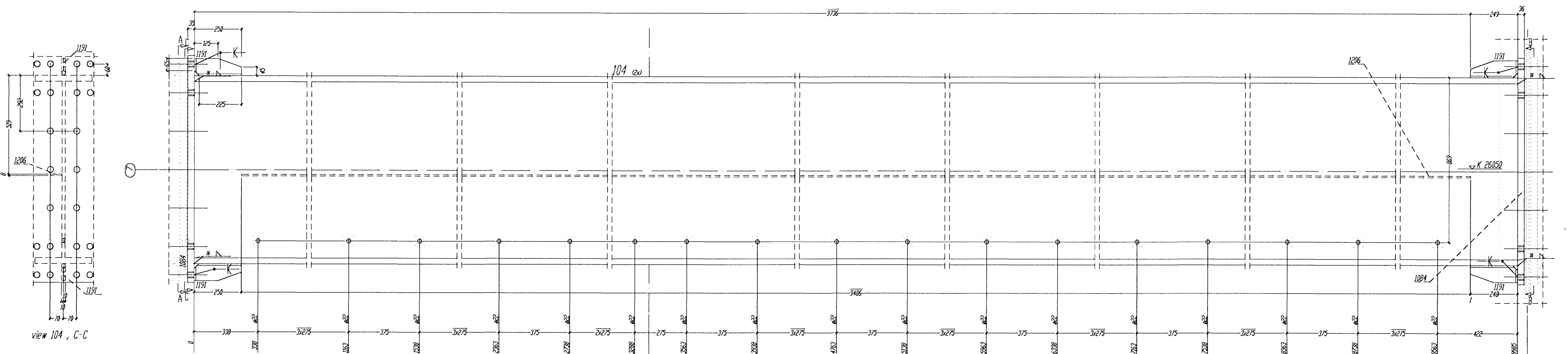
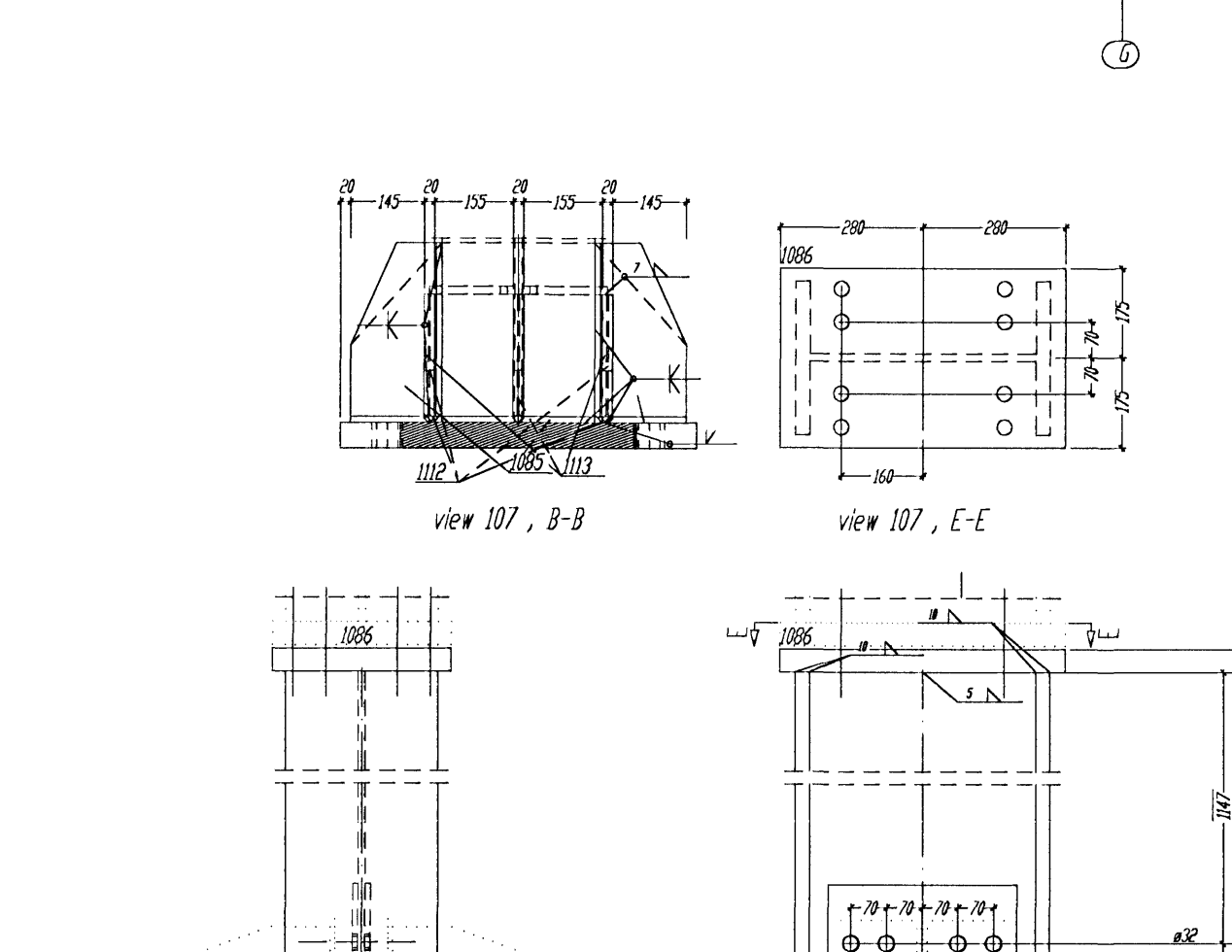
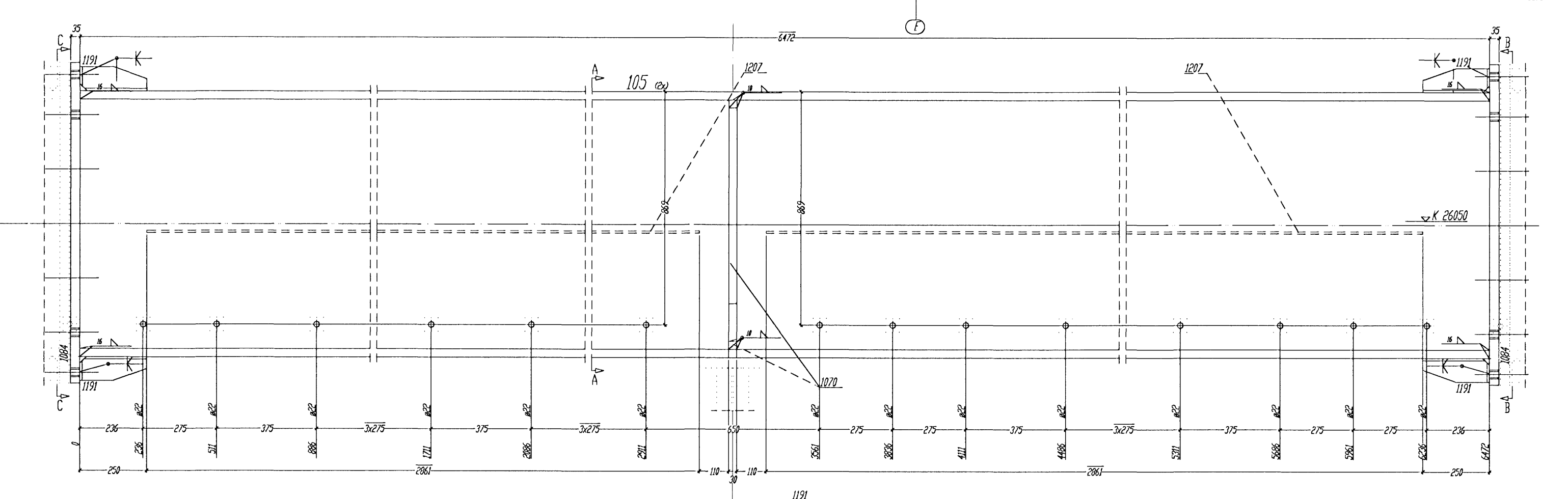


Originalinnihaldnið
Alvörðugt
18 FEB 2009



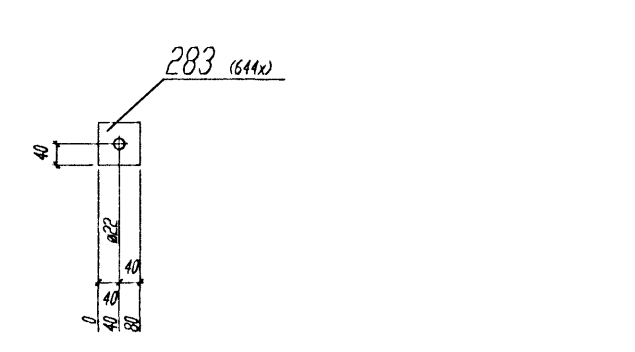
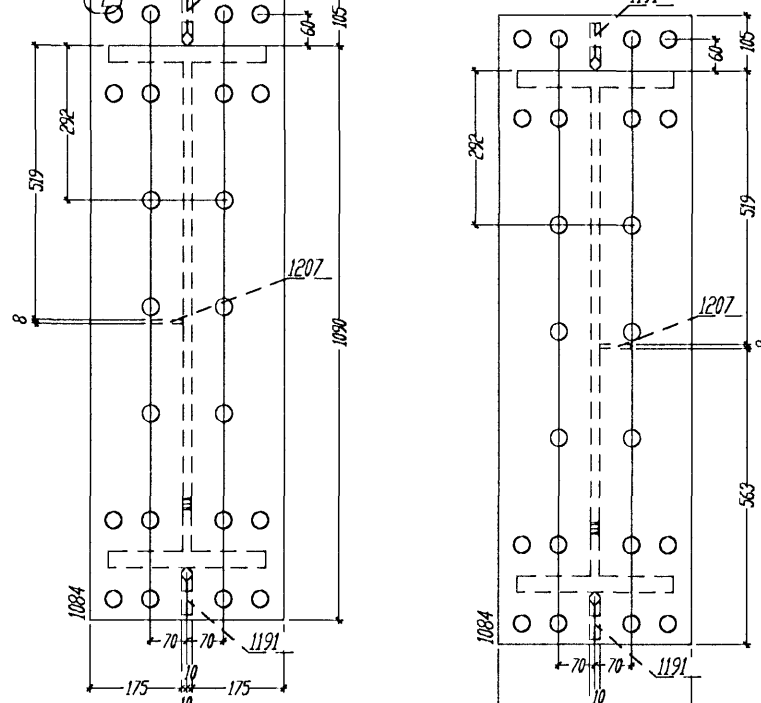
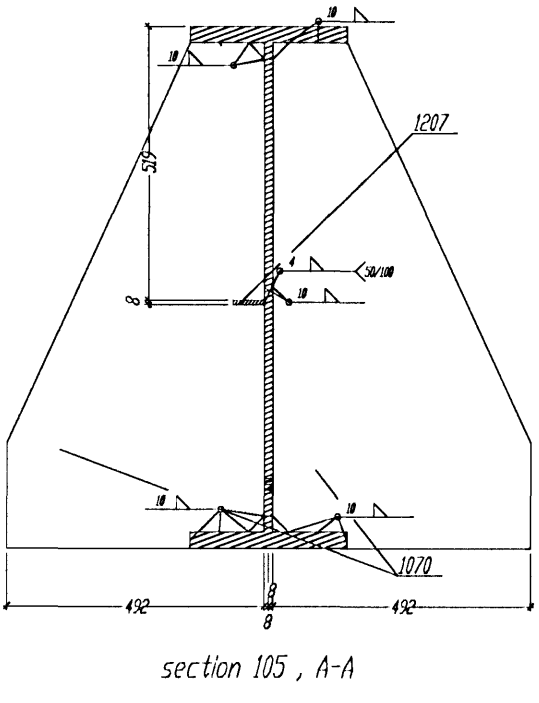
Bill of material for 1 Ship- POS. 104 total 2 X done

№	Part	pos. designation	qty	prof#	quality	length	weight	dim.
1	A 104	TRUNKER	1	HEA100	S235JR	6412	1760.38	
2	A 104	TRUNKER	2	BL200/10	S235JR	492	222.12	
3	A 104	PLATE	2	BL200/10	S235JR	1795	242.76	
4	A 104	TRUNKER	2	BL200/10	S235JR	290	141.9	
5	A 104	TRUNKER	2	BL200/10	S235JR	290	141.9	
total weight (kg)							2867.25	
Shipping dimensions (L x B x H) 1195 x 370 x 1005								



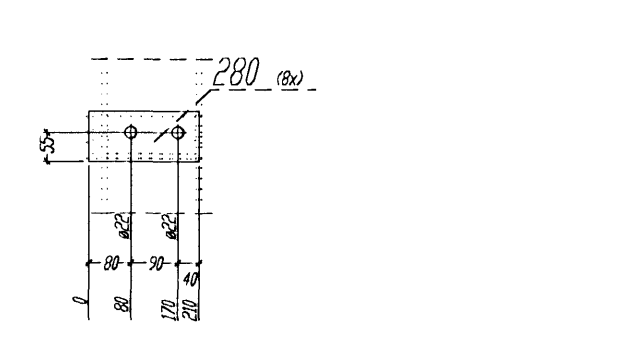
Bill of material for 1 Ship- POS. 105 total 2 X done

№	Part	pos. designation	qty	prof#	quality	length	weight	dim.
1	A 105	TRUNKER	1	HEA100	S235JR	6412	1760.38	
2	A 105	TRUNKER	2	BL200/10	S235JR	492	222.12	
3	A 105	PLATE	2	BL200/10	S235JR	1795	242.76	
4	A 105	TRUNKER	2	BL200/10	S235JR	290	141.9	
5	A 105	TRUNKER	2	BL200/10	S235JR	290	141.9	
total weight (kg)							2867.25	
Shipping dimensions (L x B x H) 1195 x 1000 x 6540								



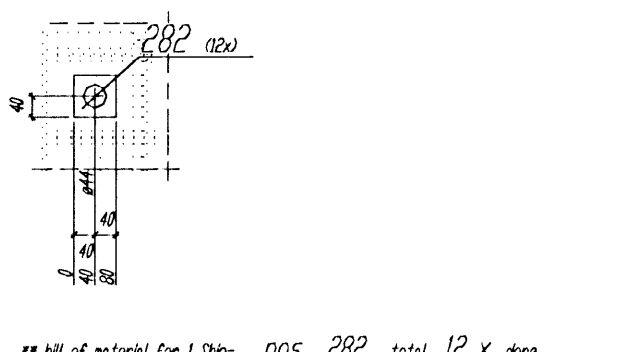
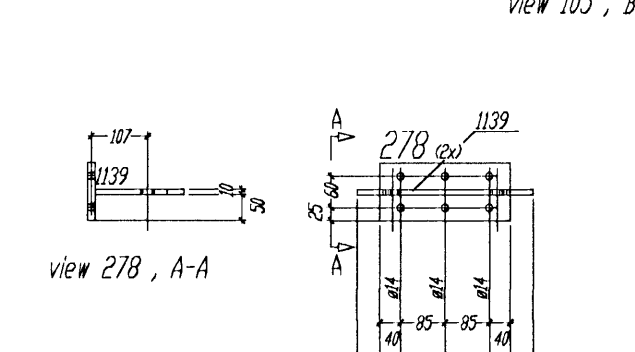
Bill of material for 1 Ship- POS. 283 total 644 X done

№	Part	pos. designation	qty	prof#	quality	length	weight	dim.
1	A 283	TRUNKER	1	FL100/45	S235JR	80	100	



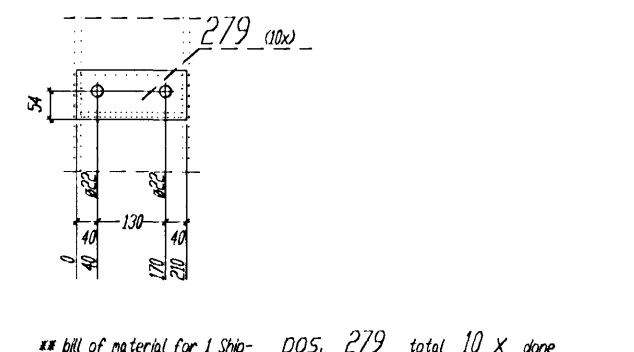
Bill of material for 1 Ship- POS. 280 total 8 X done

№	Part	pos. designation	qty	prof#	quality	length	weight	dim.
1	A 280	FUTTER	1	BL40/5	S235JR	200	52	



Bill of material for 1 Ship- POS. 282 total 12 X done

№	Part	pos. designation	qty	prof#	quality	length	weight	dim.
1	A 282	TRUNKER	1	FL100/45	S235JR	80	126	



Bill of material for 1 Ship- POS. 279 total 10 X done

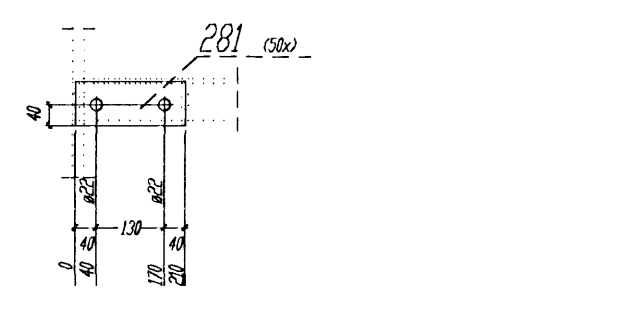
№	Part	pos. designation	qty	prof#	quality	length	weight	dim.
1	A 279	FUTTER	1	BL40/5	S235JR	200	52	

Bill of material for 1 Ship- POS. 278 total 2 X done

№	Part	pos. designation	qty	prof#	quality	length	weight	dim.
1	A 278	KNUTENLEGI	1	BL100/10	S235JR	290	324	
2	A 278	KNUTENLEGI	1	BL100/10	S235JR	290	324	
total weight (kg)							648	
Shipping dimensions (L x B x H) 110 x 185 x 337								

Bill of material for 1 Ship- POS. 277 total 1 X done

№	Part	pos. designation	qty	prof#	quality	length	weight	dim.
1	A 277	KNUTENLEGI	1	BL100/10	S235JR	290	324	
2	A 277	KNUTENLEGI	1	BL100/10	S235JR	290	324	
total weight (kg)							648	
Shipping dimensions (L x B x H) 110 x 185 x 290								

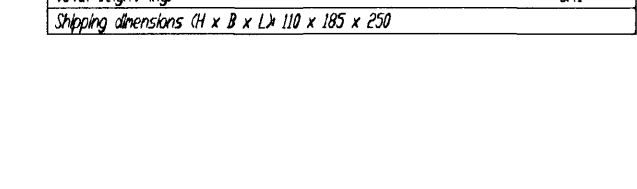


Bill of material for 1 Ship- POS. 281 total 50 X done

№	Part	pos. designation	qty	prof#	quality	length	weight	dim.
1	A 281	FUTTER	1	BL40/5	S235JR	200	52	

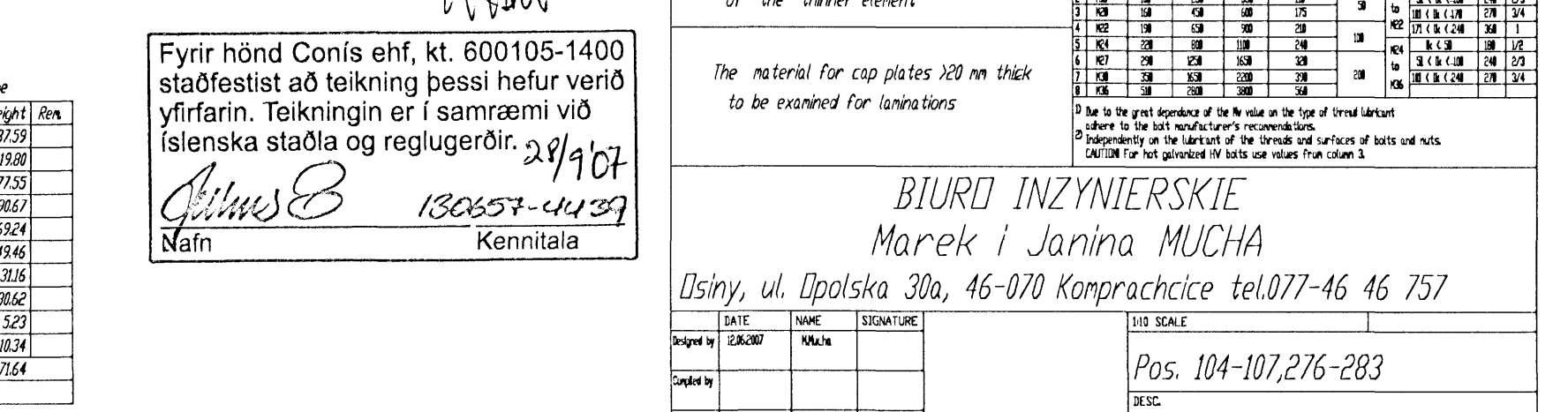
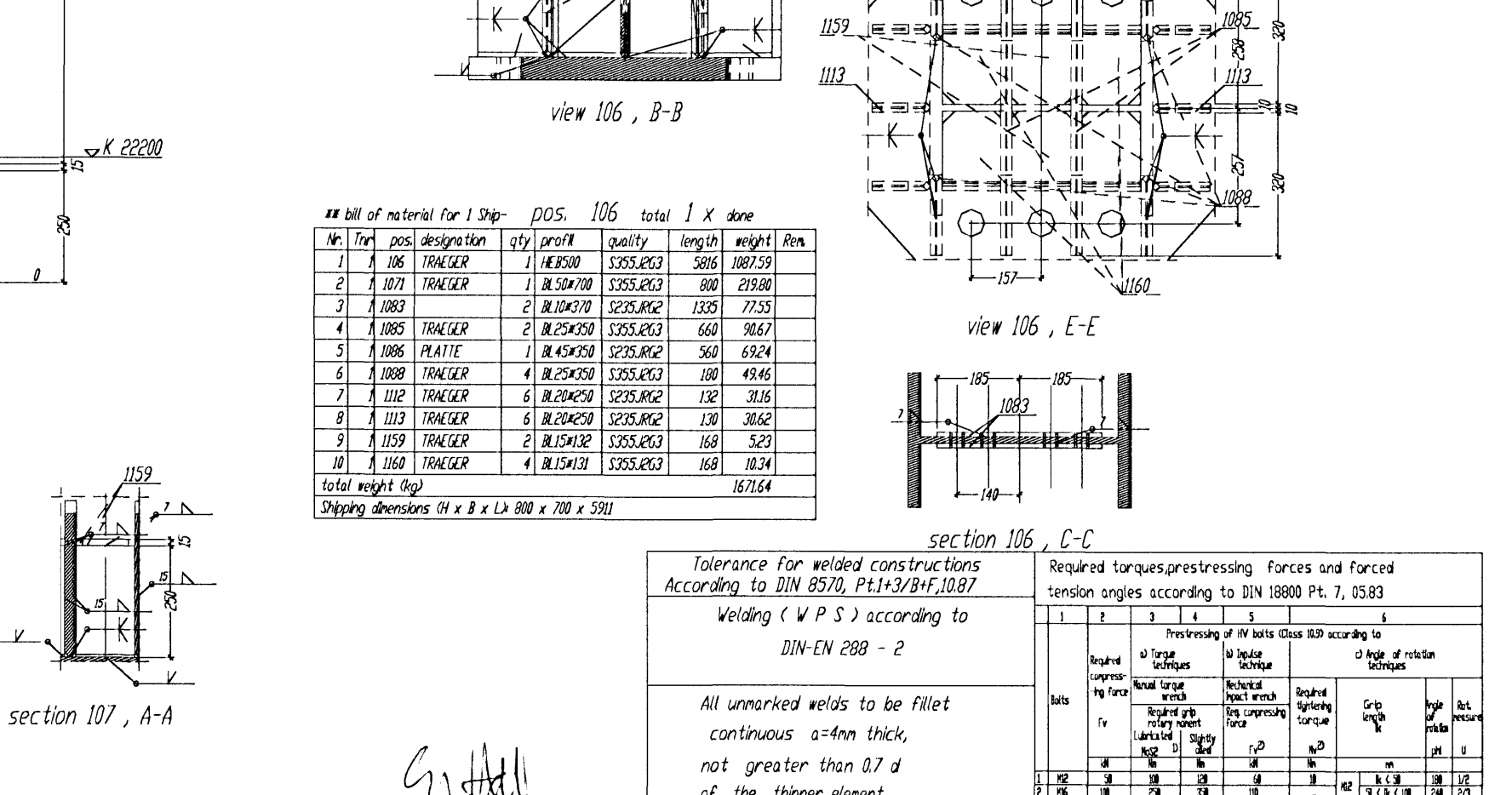
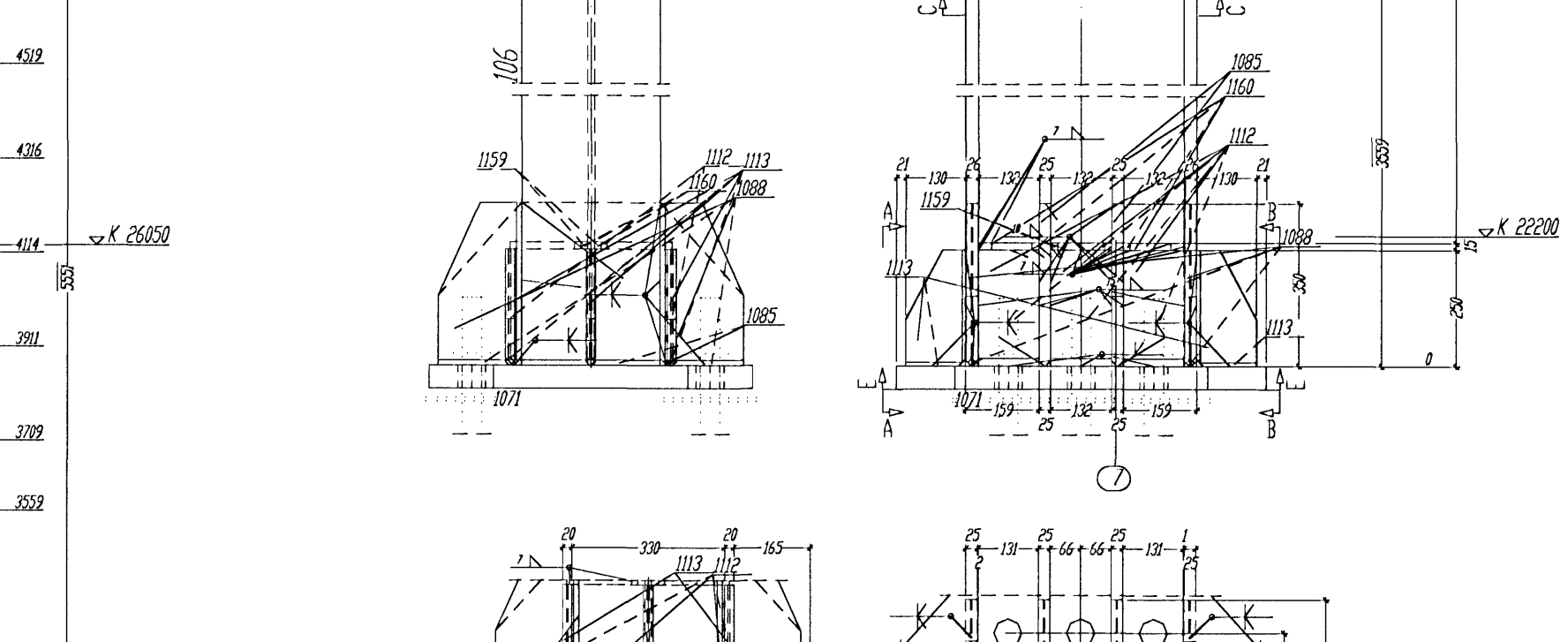
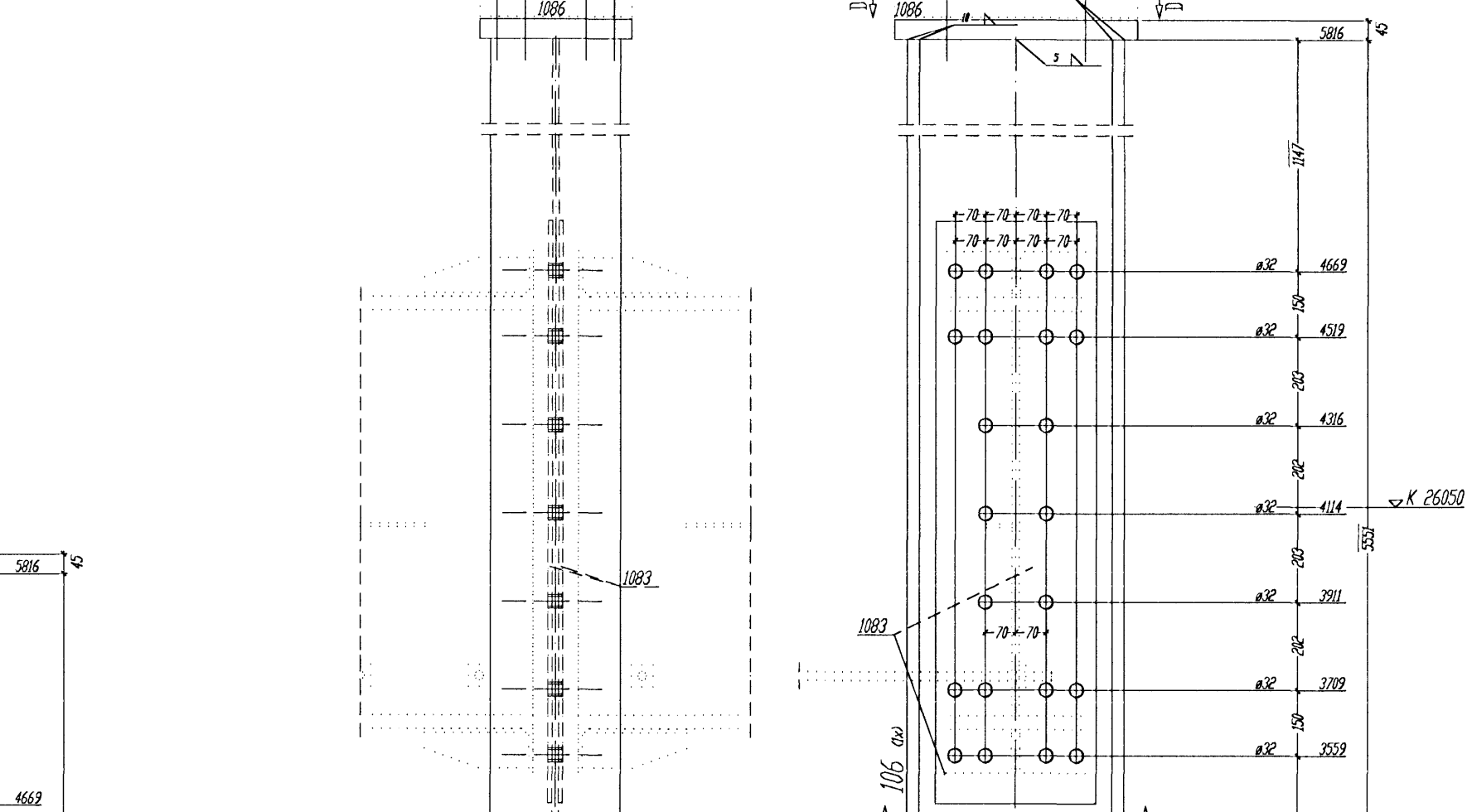
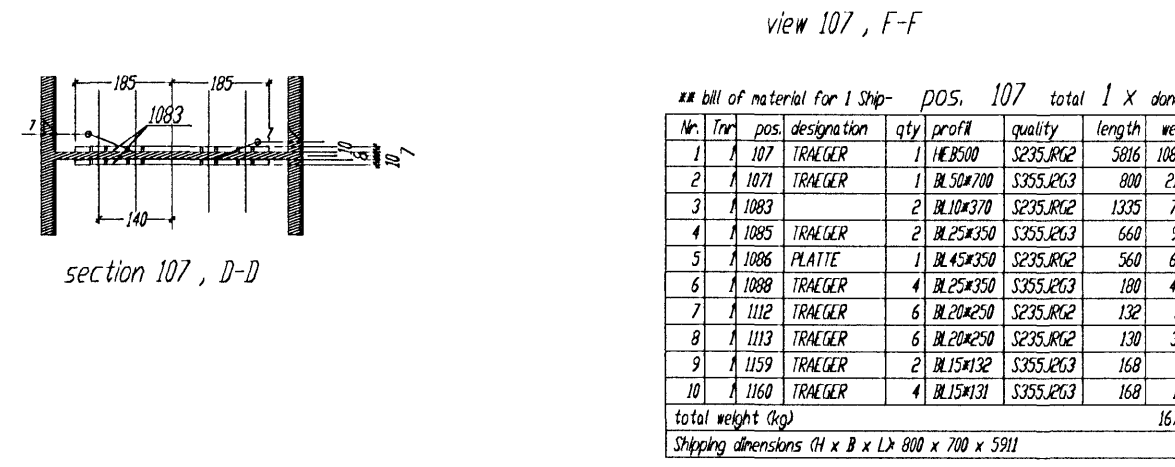
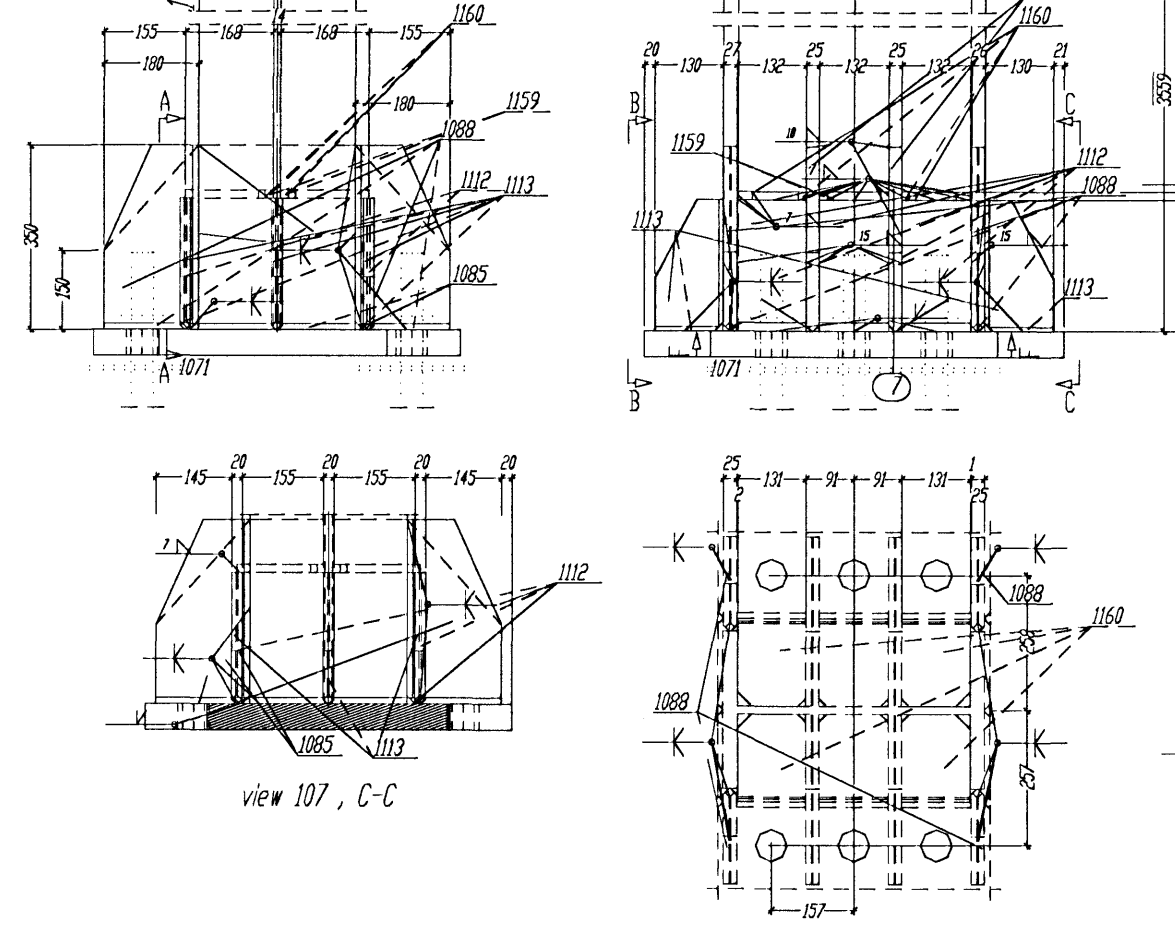
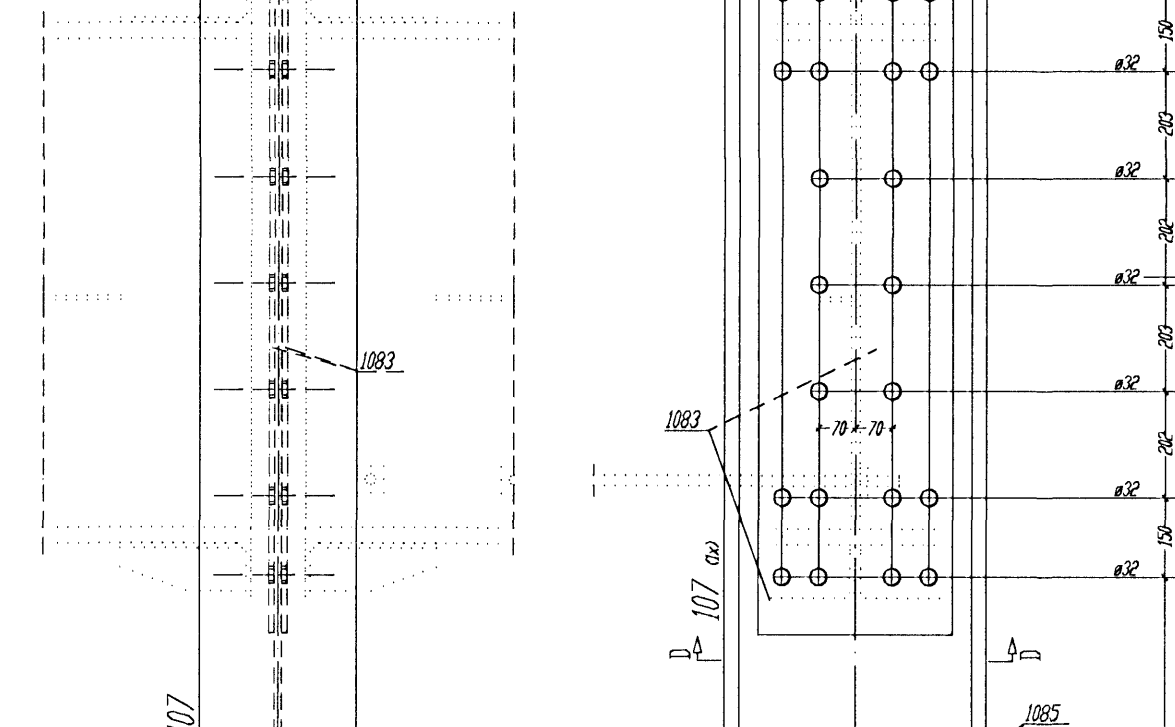
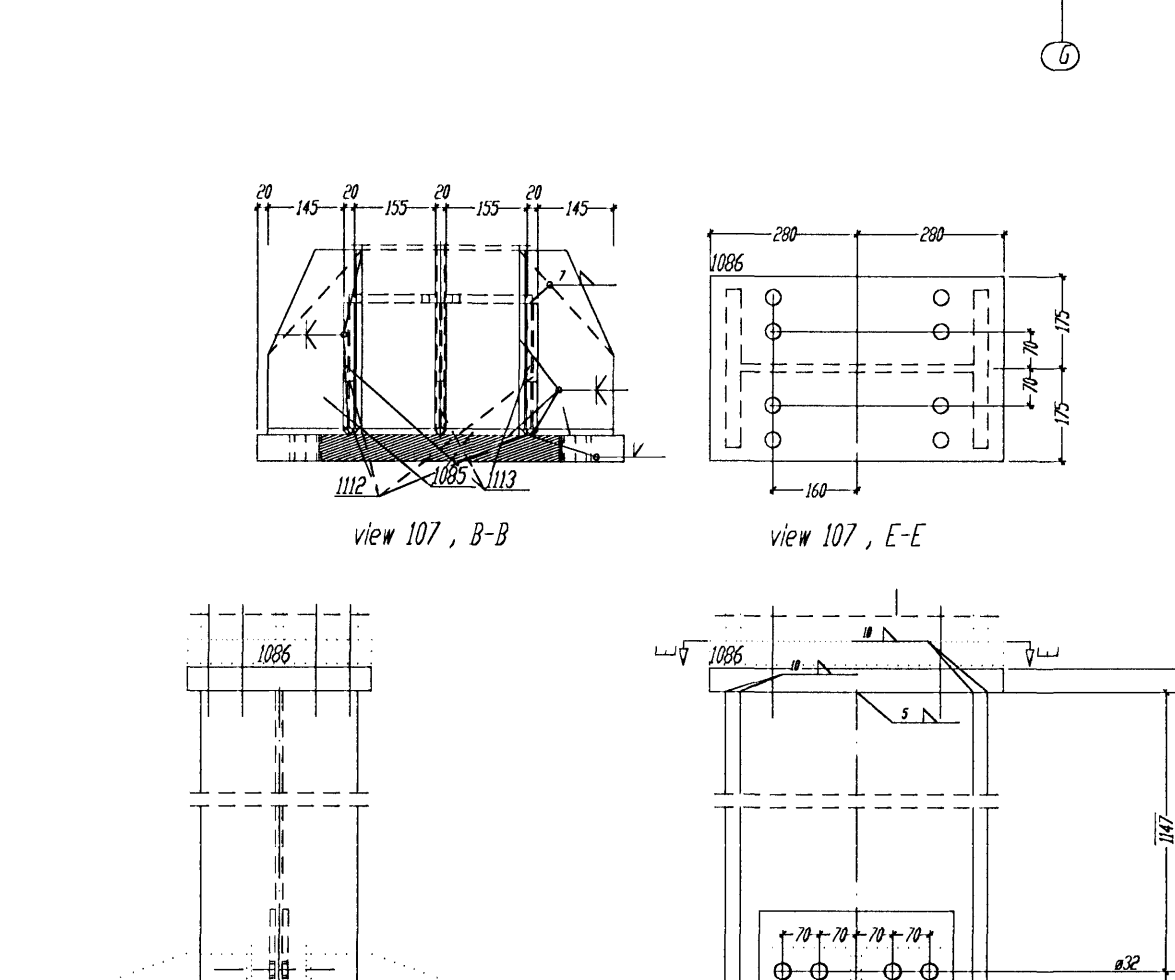
Bill of material for 1 Ship- POS. 276 total 9 X done

№	Part	pos. designation	qty	prof#	quality	length	weight	dim.
1	A 276	FUTTER	1	BL40/5	S235JR	200	52	
2	A 276	FUTTER	1	BL40/5	S235JR	200	52	
3	A 276	FUTTER	1	BL40/5	S235JR	200	52	
4	A 276	FUTTER	1	BL40/5	S235JR	200	52	
5	A 276	FUTTER	1	BL40/5	S235JR	200	52	
6	A 276	FUTTER	1	BL40/5	S235JR	200	52	
7	A 276	FUTTER	1	BL40/5	S235JR	200	52	
8	A 276	FUTTER	1	BL40/5	S235JR	200	52	
9	A 276	FUTTER	1	BL40/5	S235JR	200	52	
total weight (kg)							468	
Shipping dimensions (L x B x H) 110 x 185 x 290								



Bill of material for 1 Ship- POS. 276 total 9 X done

№	Part	pos. designation	qty	prof#	quality	length	weight	dim.
1	A 276	FUTTER	1	BL40/5	S235JR	200	52	
2	A 276	FUTTER	1	BL40/5	S235JR	200	52	
3	A 276	FUTTER	1	BL40/5	S235JR	200	52	
4	A 276	FUTTER	1	BL40/5	S235JR	200	52	
5	A 276	FUTTER	1	BL40/5	S235JR	200	52	
6	A 276	FUTTER	1	BL40/5	S235JR	200	52	
7	A 276	FUTTER	1	BL40/5	S235JR	200	52	
8	A 276	FUTTER	1	BL40/5	S235JR	200	52	
9	A 276	FUTTER	1	BL40/5	S235JR	200	52	
total weight (kg)							468	
Shipping dimensions (L x B x H) 110 x 185 x 290								



Bill of material for 1 Ship- POS. 106 total 1 X done

№	Part	pos. designation	qty	prof#	quality	length	weight	dim.
1	A 106	TRUNKER	1	HEA100	S235JR	5062	1307.59	
2	A 106	TRUNKER	2	BL200/10	S235JR	300	295.80	
3	A 106	TRUNKER	2	BL200/10	S235JR	1205	77.53	
4	A 106	TRUNKER	2	BL200/10	S235JR	660	302.7	
5	A 106	PLATE	1	BL200/10	S235JR	560	69.24	
6	A 106	TRUNKER	4	BL200/10	S235JR	100	49.46	
7	A 106	TRUNKER	6	BL200/10	S235JR	120	30.16	
8	A 106	TRUNKER	6	BL200/10	S235JR	120	30.62	
9	A 106	TRUNKER	6	BL200/10	S235JR	160	52.9	
10	A 106	TRUNKER	4	BL200/10	S235JR	160	10.34	
total weight (kg)							1871.64	
Shipping dimensions (L x B x H) 880 x 700 x 591								

Fyrir hönd Conis ehf, kt. 600105-1400 staðfestist að teikning þessi hefur verið yfirfarin. Teikningin er í samræmi við íslenska stöðla og reglugerðir.
28/10/07
Nafn: Kennitala

Tolerance for welded construction
According to DIN 8520, Pt.4/3/4/10/10/7
Welding (V P S) according to
DIN EN 288 - 2

Required stress/pressing forces and forced tension angles according to DIN 18800 Pt. 7, 5/5/3

All unwelded joints to be fillet continuous a=4mm thick, not greater than 0.2 d of the thinner element

The material for cap plates 100 mm thick to be examined for laminations

BIURO INZYNIERSKIE
Marek i Janina MUCHA
Dziśny, ul. Opolska 30a, 46-070 Komprachcice tel:077-46 46 757

Pos. 104-107,276-283

TJARNARVELLIR 11
Steel Office part

DRG 102