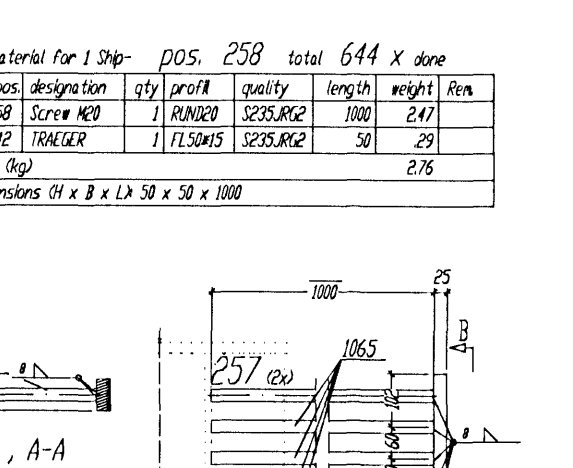
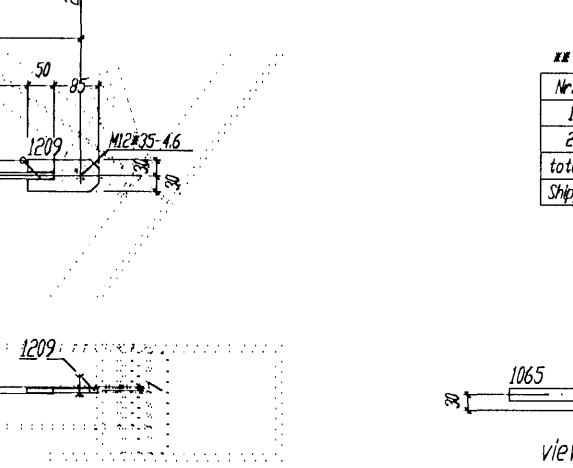
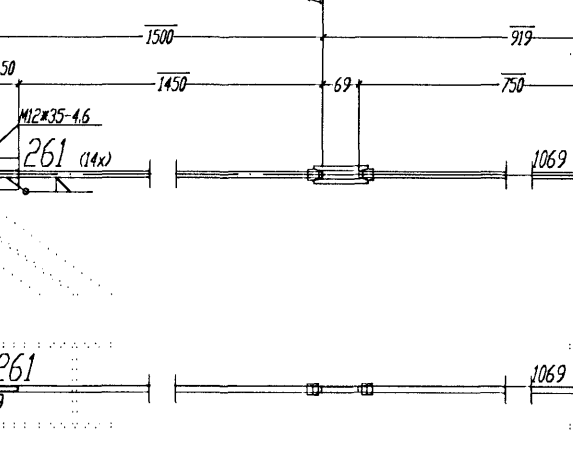
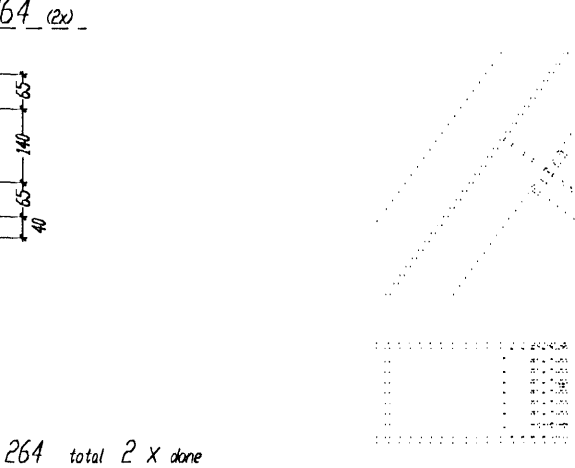
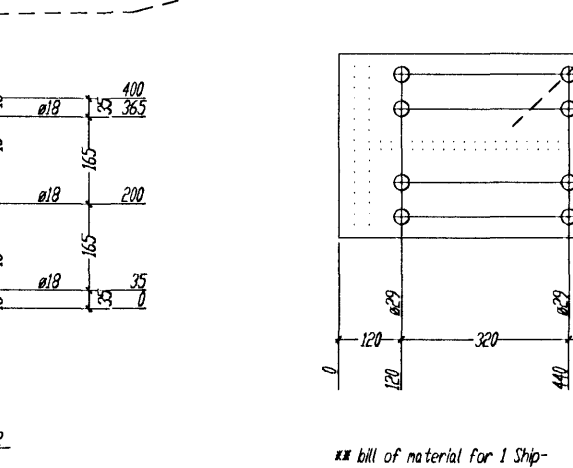
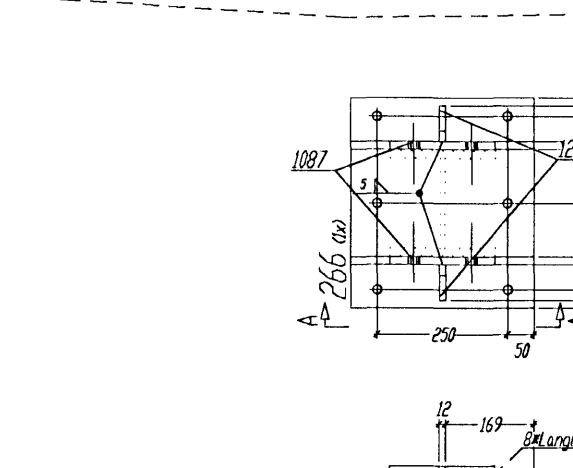
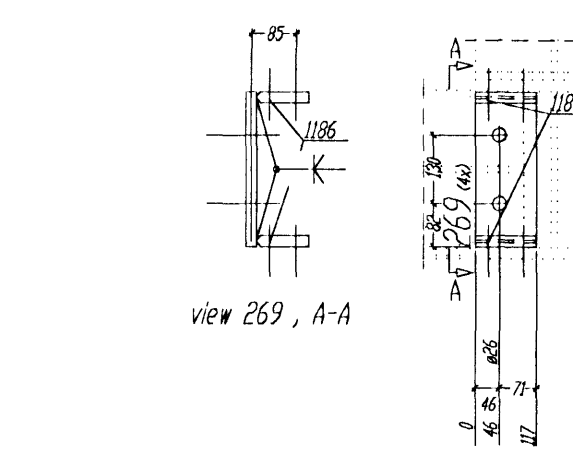
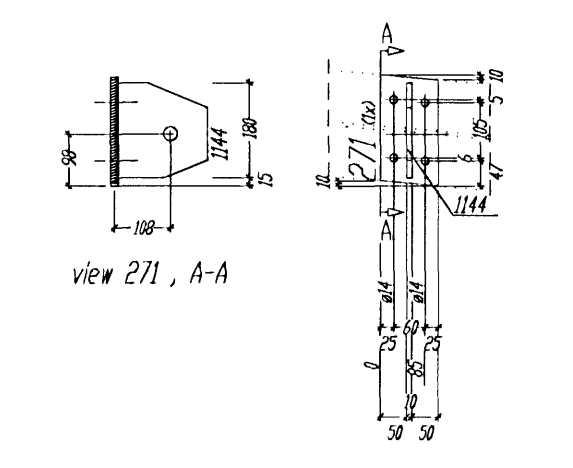
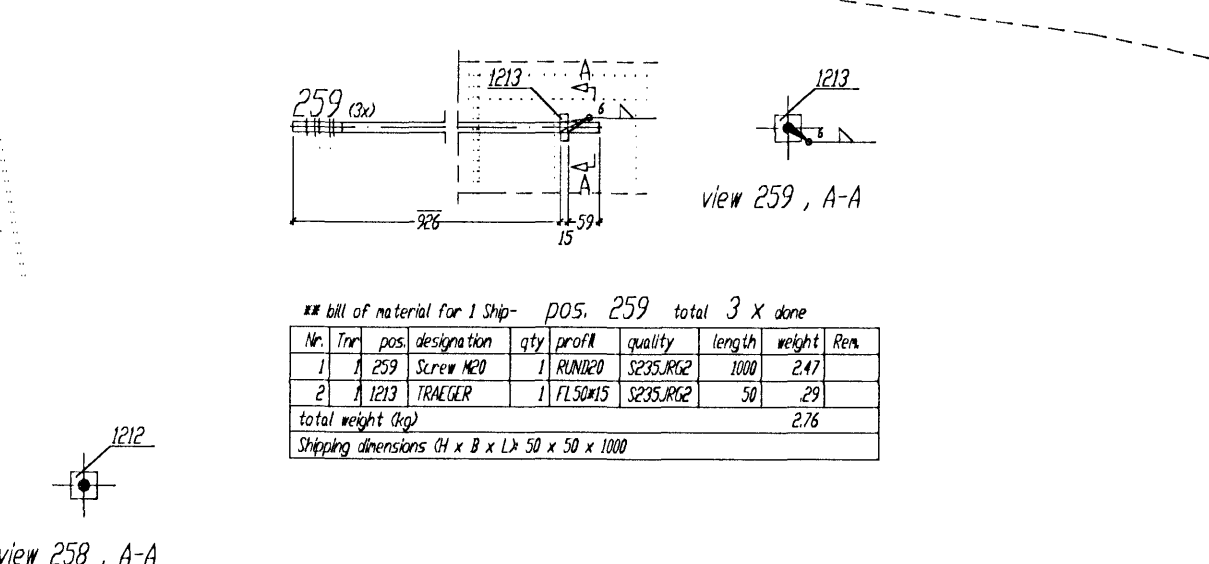
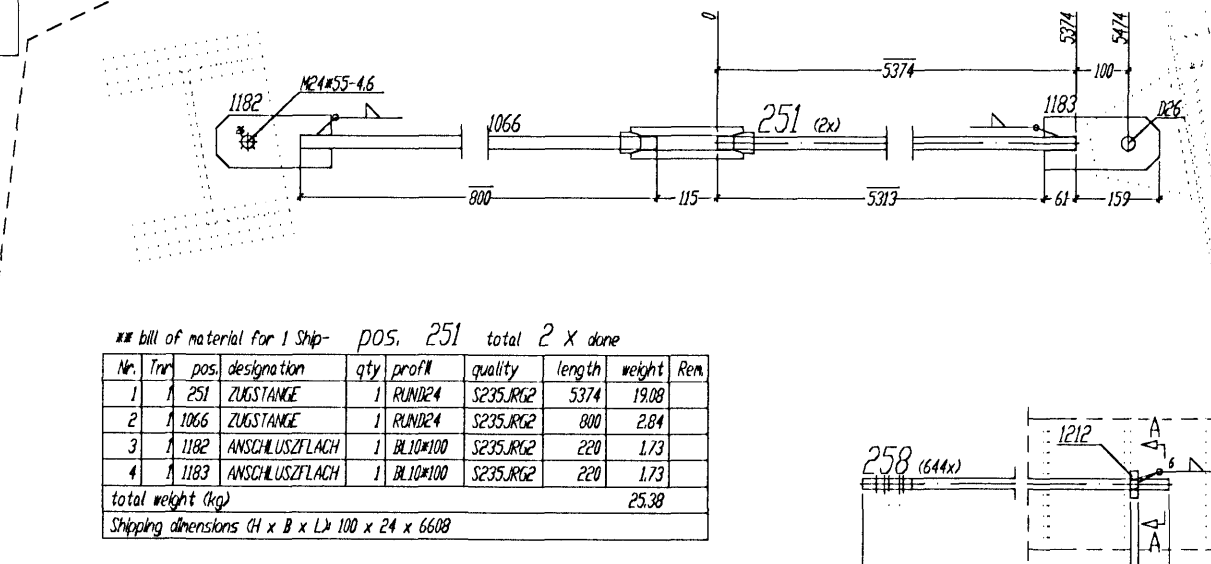
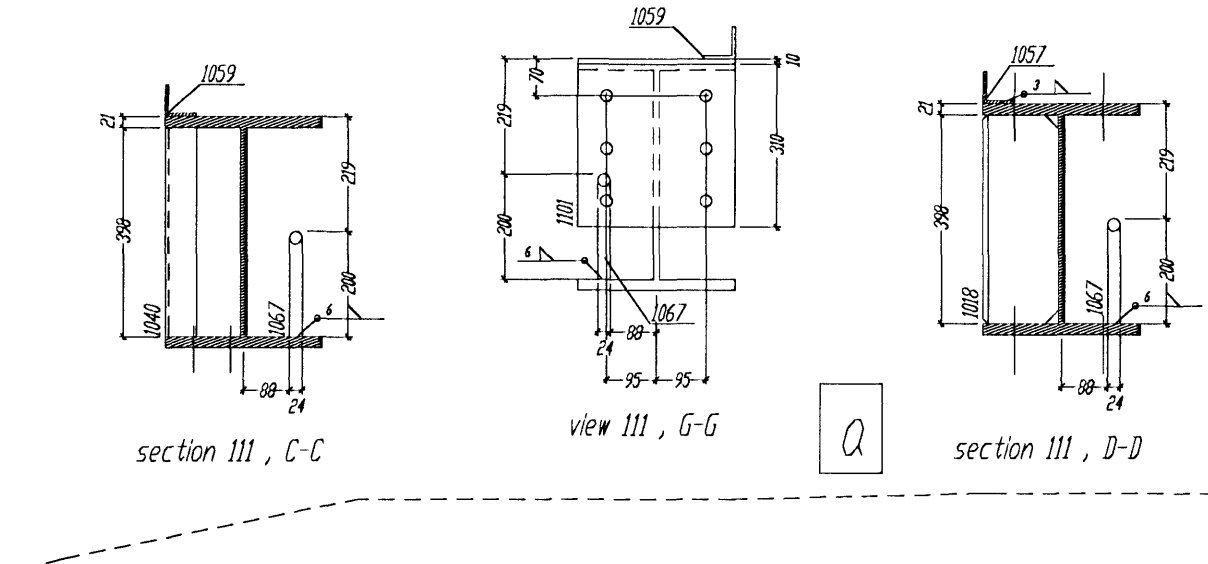
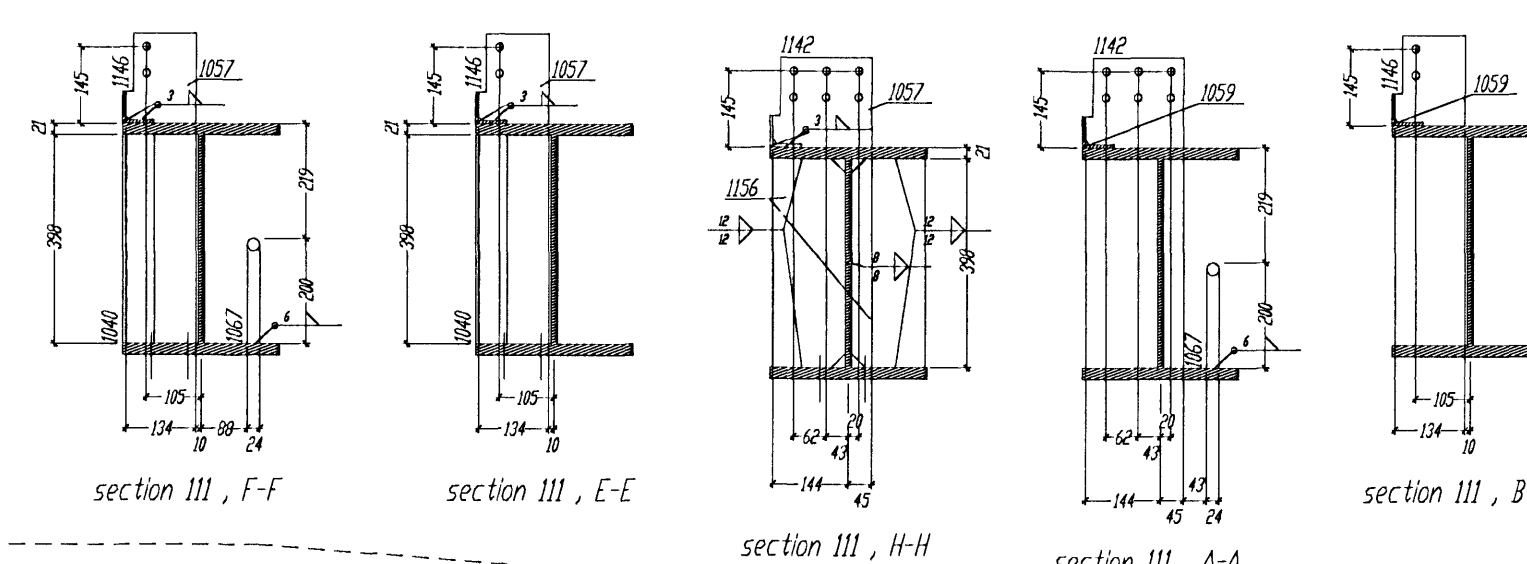


Bill of material for 1 Ship - POS. 251 total 1 X done

№	Part designation	Qty	Profile	Quality	Length	Weight	Dim.
1	A 251	1	ANGLE	SEPS,AR2	1620	16200	
2	A 108	4	ANGLE	SEPS,AR2	398	1620	
3	A 109	4	ANGLE	SEPS,AR2	398	1620	
4	A 107	1	ANGLE	SEPS,AR2	574	290	
5	A 105	1	ANGLE	SEPS,AR2	574	290	
6	A 106	1	ANGLE	SEPS,AR2	574	290	
7	A 104	1	ANGLE	SEPS,AR2	574	290	
8	A 103	1	ANGLE	SEPS,AR2	574	290	
9	A 102	1	ANGLE	SEPS,AR2	574	290	
10	A 101	1	ANGLE	SEPS,AR2	574	290	
total weight (kg)							18406

Shipping dimensions 01 x B x L x H 300 x 100 x 1620



Bill of material for 1 Ship - POS. 271 total 1 X done

№	Part designation	Qty	Profile	Quality	Length	Weight	Dim.
1	A 271	1	ANGLE	SEPS,AR2	100	270	
2	A 104	1	ANGLE	SEPS,AR2	100	240	
total weight (kg)							573

Shipping dimensions 01 x B x L x H 200 x 100 x 100

Bill of material for 1 Ship - POS. 269 total 4 X done

№	Part designation	Qty	Profile	Quality	Length	Weight	Dim.
1	A 269	4	ANGLE	SEPS,AR2	100	270	
2	A 108	4	ANGLE	SEPS,AR2	100	240	
total weight (kg)							306

Shipping dimensions 01 x B x L x H 200 x 100 x 100

Bill of material for 1 Ship - POS. 266 total 1 X done

№	Part designation	Qty	Profile	Quality	Length	Weight	Dim.
1	A 266	1	ANGLE	SEPS,AR2	400	238	
2	A 107	2	ANGLE	SEPS,AR2	263	2184	
3	A 104	2	ANGLE	SEPS,AR2	263	2184	
total weight (kg)							4722

Shipping dimensions 01 x B x L x H 350 x 200 x 400

Bill of material for 1 Ship - POS. 263 total 4 X done

№	Part designation	Qty	Profile	Quality	Length	Weight	Dim.
1	A 263	4	ANGLE	SEPS,AR2	100	260	
total weight (kg)							1040

Shipping dimensions 01 x B x L x H 150 x 100 x 250

Bill of material for 1 Ship - POS. 260 total 14 X done

№	Part designation	Qty	Profile	Quality	Length	Weight	Dim.
1	A 260	14	ANGLE	SEPS,AR2	200	139	
2	A 108	14	ANGLE	SEPS,AR2	300	71	
3	A 109	14	ANGLE	SEPS,AR2	195	132	
total weight (kg)							316

Shipping dimensions 01 x B x L x H 100 x 100 x 250

Bill of material for 1 Ship - POS. 257 total 2 X done

№	Part designation	Qty	Profile	Quality	Length	Weight	Dim.
1	A 257	2	ANGLE	SEPS,AR2	1000	335	
2	A 105	4	ANGLE	SEPS,AR2	300	142	
3	A 108	1	ANGLE	SEPS,AR2	304	388	
total weight (kg)							857

Shipping dimensions 01 x B x L x H 60 x 200 x 100

Bill of material for 1 Ship - POS. 256 total 2 X done

№	Part designation	Qty	Profile	Quality	Length	Weight	Dim.
1	A 256	2	ANGLE	SEPS,AR2	1700	635	
2	A 106	1	ANGLE	SEPS,AR2	800	294	
3	A 108	2	ANGLE	SEPS,AR2	290	345	
total weight (kg)							1554

Shipping dimensions 01 x B x L x H 100 x 200 x 100

Bill of material for 1 Ship - POS. 255 total 2 X done

№	Part designation	Qty	Profile	Quality	Length	Weight	Dim.
1	A 255	2	ANGLE	SEPS,AR2	1700	635	
2	A 106	1	ANGLE	SEPS,AR2	800	294	
3	A 108	2	ANGLE	SEPS,AR2	290	345	
total weight (kg)							1554

Shipping dimensions 01 x B x L x H 100 x 200 x 100

Bill of material for 1 Ship - POS. 270 total 2 X done

№	Part designation	Qty	Profile	Quality	Length	Weight	Dim.
1	A 270	2	ANGLE	SEPS,AR2	200	51	
total weight (kg)							102

Shipping dimensions 01 x B x L x H 200 x 100 x 100

Bill of material for 1 Ship - POS. 267 total 8 X done

№	Part designation	Qty	Profile	Quality	Length	Weight	Dim.
1	A 267	8	ANGLE	SEPS,AR2	370	1525	
total weight (kg)							12200

Shipping dimensions 01 x B x L x H 350 x 200 x 400

Bill of material for 1 Ship - POS. 265 total 3 X done

№	Part designation	Qty	Profile	Quality	Length	Weight	Dim.
1	A 265	3	ANGLE	SEPS,AR2	400	238	
2	A 108	2	ANGLE	SEPS,AR2	263	2184	
3	A 104	2	ANGLE	SEPS,AR2	263	2184	
total weight (kg)							4722

Shipping dimensions 01 x B x L x H 350 x 200 x 400

Bill of material for 1 Ship - POS. 262 total 2 X done

№	Part designation	Qty	Profile	Quality	Length	Weight	Dim.
1	A 262	2	ANGLE	SEPS,AR2	200	316	
total weight (kg)							632

Shipping dimensions 01 x B x L x H 100 x 100 x 250

Bill of material for 1 Ship - POS. 252 total 2 X done

№	Part designation	Qty	Profile	Quality	Length	Weight	Dim.
1	A 252	2	ANGLE	SEPS,AR2	1700	635	
2	A 106	1	ANGLE	SEPS,AR2	800	294	
3	A 108	2	ANGLE	SEPS,AR2	290	345	
total weight (kg)							2580

Shipping dimensions 01 x B x L x H 100 x 200 x 100

Bill of material for 1 Ship - POS. 252 total 2 X done

№	Part designation	Qty	Profile	Quality	Length	Weight	Dim.
1	A 252	2	ANGLE	SEPS,AR2	1700	635	
2	A 106	1	ANGLE	SEPS,AR2	800	294	
3	A 108	2	ANGLE	SEPS,AR2	290	345	
total weight (kg)							2580

Shipping dimensions 01 x B x L x H 100 x 200 x 100

Bill of material for 1 Ship - POS. 252 total 2 X done

№	Part designation	Qty	Profile	Quality	Length	Weight	Dim.
1	A 252	2	ANGLE	SEPS,AR2	1700	635	
2	A 106	1	ANGLE	SEPS,AR2	800	294	
3	A 108	2	ANGLE	SEPS,AR2	290	345	
total weight (kg)							2580

Shipping dimensions 01 x B x L x H 100 x 200 x 100

Bill of material for 1 Ship - POS. 252 total 2 X done

№	Part designation	Qty	Profile	Quality	Length	Weight	Dim.
1	A 252	2	ANGLE	SEPS,AR2	1700	635	
2	A 106	1	ANGLE	SEPS,AR2	800	294	
3	A 108	2	ANGLE	SEPS,AR2	290	345	
total weight (kg)							2580

Shipping dimensions 01 x B x L x H 100 x 200 x 100

Bill of material for 1 Ship - POS. 252 total 2 X done

№	Part designation	Qty	Profile	Quality	Length	Weight	Dim.
1	A 252	2	ANGLE	SEPS,AR2	1700	635	
2	A 106	1	ANGLE	SEPS,AR2	800	294	
3	A 108	2	ANGLE	SEPS,AR2	290	345	
total weight (kg)							2580

Shipping dimensions 01 x B x L x H 100 x 200 x 100

Fyrir hönd Conis ehf, kt. 600105-1400 staðfestist að teikningin er í samræmi við íslenska staða og reglugerðir. 28/11/19

Conis
Klafr
Kennitala

BIURO INŻYNIERSKIE
Marek i Janina MUCHA
Osiny, ul. Opolska 30a, 46-070 Komprachcice tel:077-46 46 757

1:10 SCALE

Pos. 111,256-271

TJARNARVELLIR 11
Steel Office part

DRG 104 a