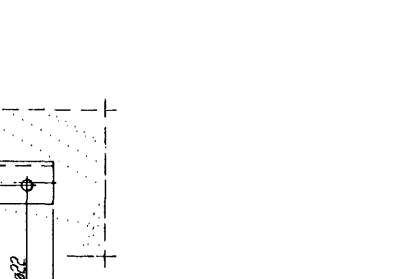
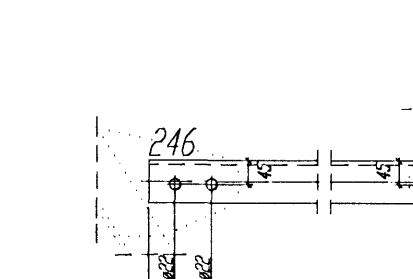
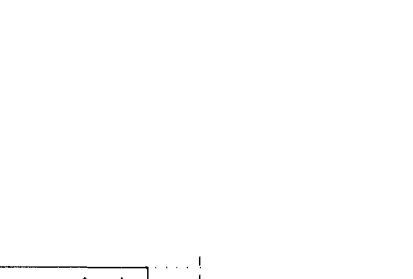
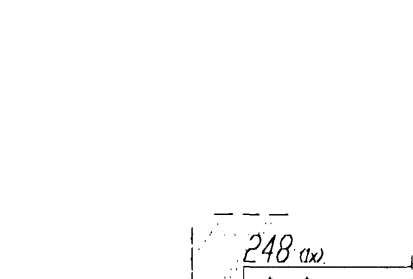
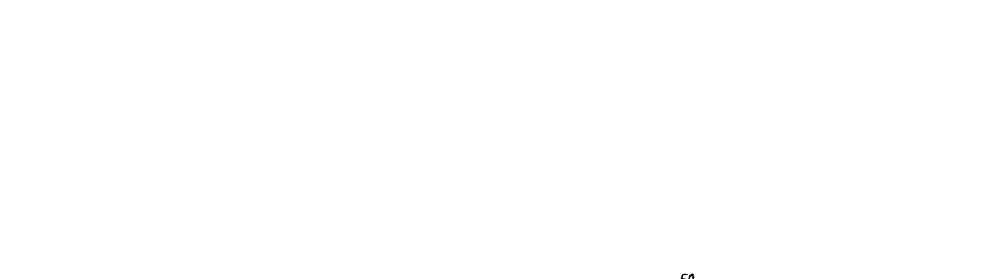
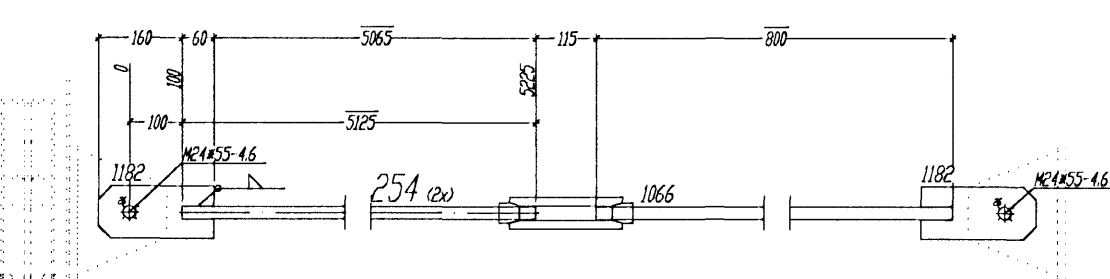
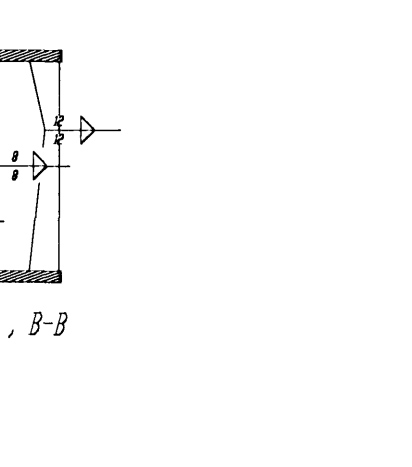
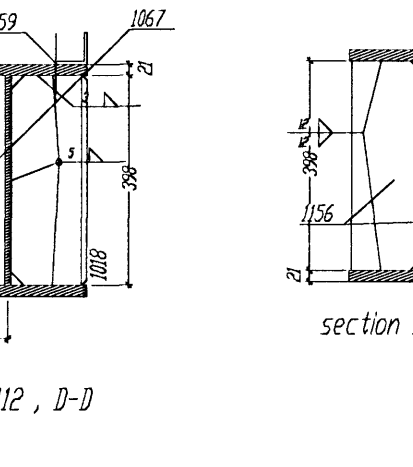
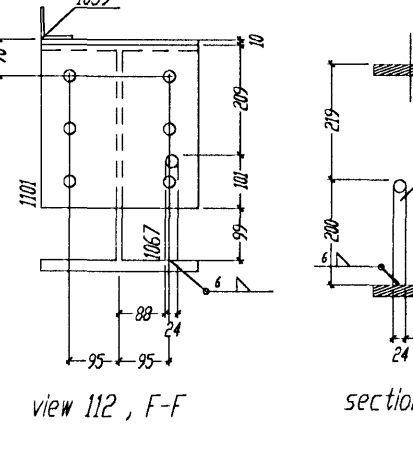
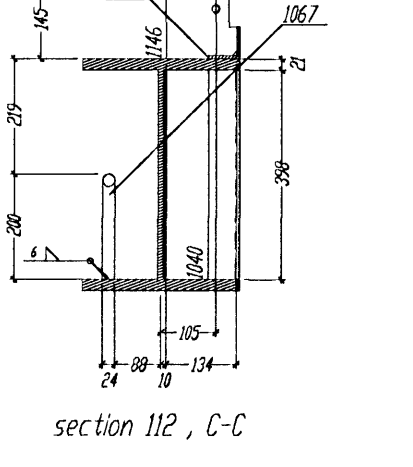
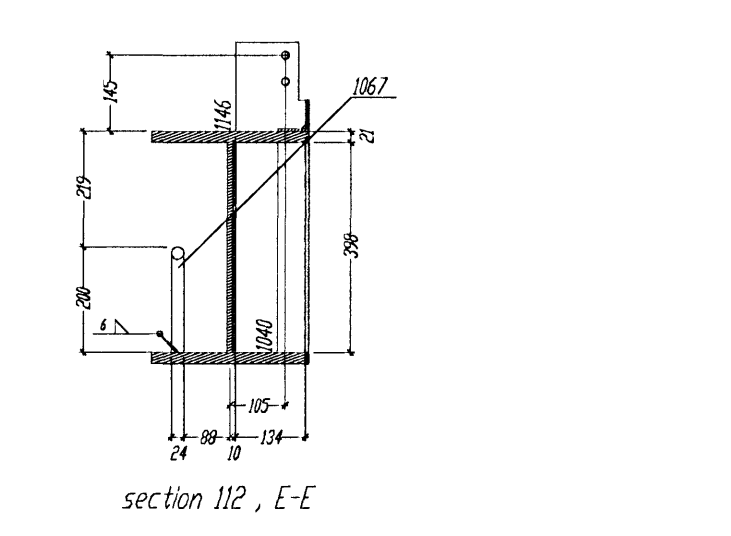
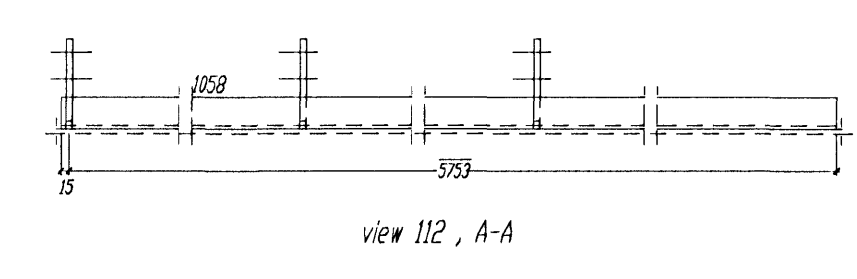
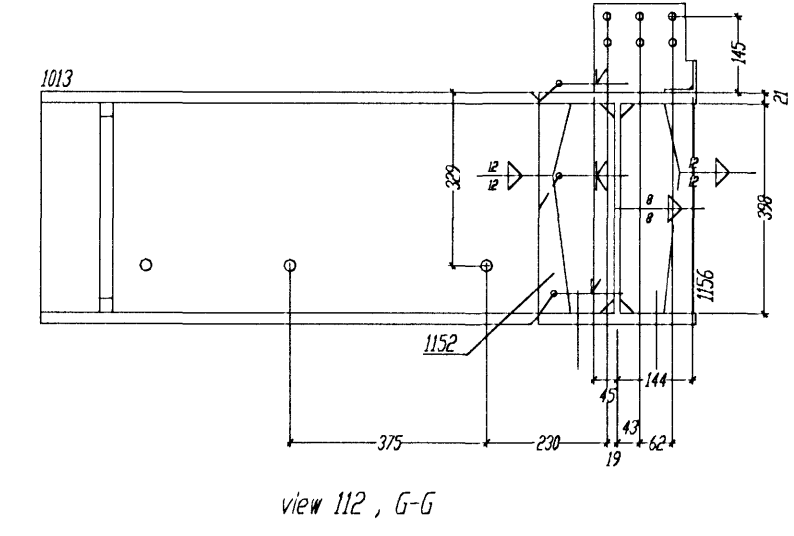


Þessi teikning er hluti af
 teikningum til
 byggingar
 130657-01/07

Bill of material for 1 Ship - POS. 112 total 1 X done

Nr.	Ter.	pos. designation	qty	prof.	quality	length	weight	Rev.
1	112	TRUCKER	1	HE400	S235JR	1800	16200	
2	112	TRUCKER	1	HE400	S235JR	500	13300	
3	112	TRUCKER	1	HE400	S235JR	200	6400	
4	112	TRUCKER	4	HE400	S235JR	200	2540	
5	112	TRUCKER	1	HE400	S235JR	570	3030	
6	112	TRUCKER	1	HE400	S235JR	570	2870	
7	112	TRUCKER	1	HE400	S235JR	500	2830	
8	112	TRUCKER	1	HE400	S235JR	200	1870	
9	112	TRUCKER	1	HE400	S235JR	100	330	
10	112	TRUCKER	1	HE400	S235JR	100	650	
11	112	TRUCKER	1	HE400	S235JR	200	1120	
12	112	TRUCKER	1	HE400	S235JR	200	3600	
total weight (kg)								10624

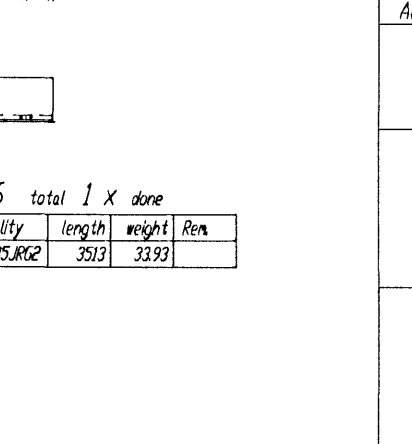
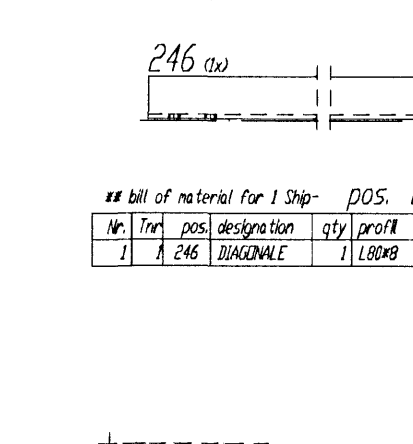
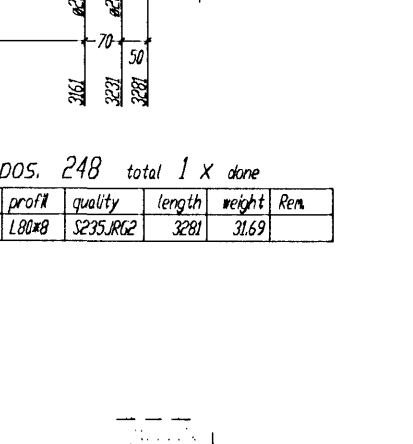
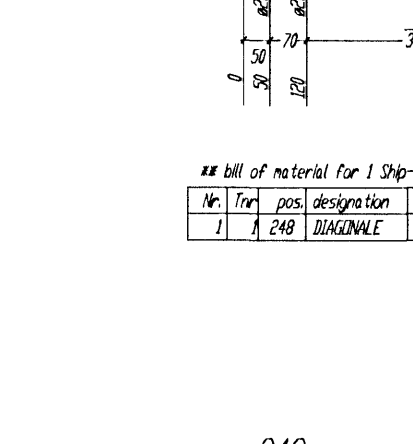
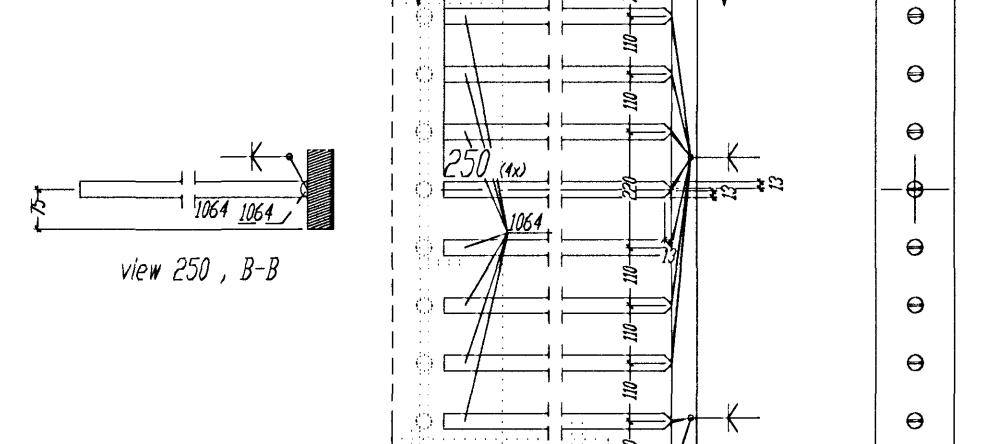
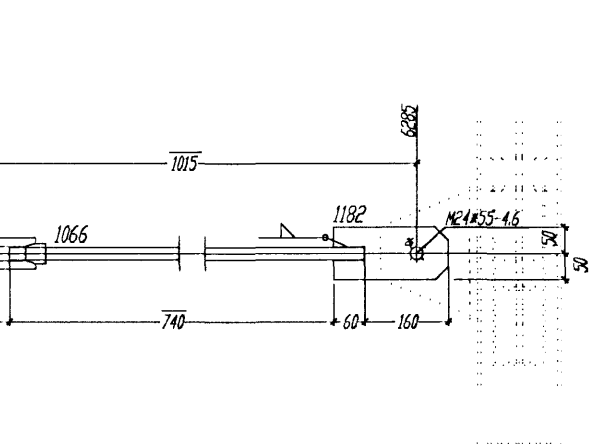
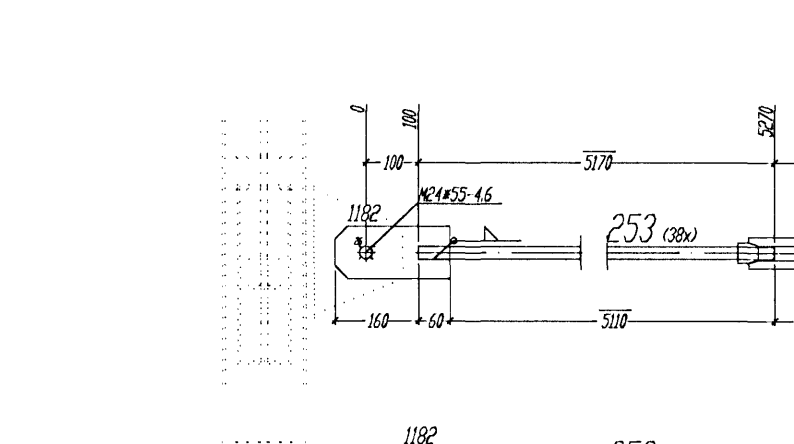
Shipping dimensions (H x B x L) 100 x 250 x 1800



Bill of material for 1 Ship - POS. 254 total 2 X done

Nr.	Ter.	pos. designation	qty	prof.	quality	length	weight	Rev.
1	254	TRUCKER	1	HE400	S235JR	520	1820	
2	254	TRUCKER	1	HE400	S235JR	100	240	
3	254	TRUCKER	1	HE400	S235JR	200	340	
total weight (kg)								2400

Shipping dimensions (H x B x L) 100 x 24 x 520



Bill of material for 1 Ship - POS. 255 total 4 X done

Nr.	Ter.	pos. designation	qty	prof.	quality	length	weight	Rev.
1	255	TRUCKER	1	HE400	S235JR	360	1290	
2	255	TRUCKER	1	HE400	S235JR	100	240	
3	255	TRUCKER	1	HE400	S235JR	200	340	
4	255	TRUCKER	1	HE400	S235JR	200	340	
total weight (kg)								1550

Shipping dimensions (H x B x L) 100 x 24 x 360

Bill of material for 1 Ship - POS. 253 total 38 X done

Nr.	Ter.	pos. designation	qty	prof.	quality	length	weight	Rev.
1	253	TRUCKER	1	HE400	S235JR	300	1050	
2	253	TRUCKER	1	HE400	S235JR	100	240	
3	253	TRUCKER	1	HE400	S235JR	200	340	
4	253	TRUCKER	1	HE400	S235JR	200	340	
5	253	TRUCKER	1	HE400	S235JR	200	340	
6	253	TRUCKER	1	HE400	S235JR	200	340	
7	253	TRUCKER	1	HE400	S235JR	200	340	
8	253	TRUCKER	1	HE400	S235JR	200	340	
9	253	TRUCKER	1	HE400	S235JR	200	340	
10	253	TRUCKER	1	HE400	S235JR	200	340	
11	253	TRUCKER	1	HE400	S235JR	200	340	
12	253	TRUCKER	1	HE400	S235JR	200	340	
13	253	TRUCKER	1	HE400	S235JR	200	340	
14	253	TRUCKER	1	HE400	S235JR	200	340	
15	253	TRUCKER	1	HE400	S235JR	200	340	
16	253	TRUCKER	1	HE400	S235JR	200	340	
17	253	TRUCKER	1	HE400	S235JR	200	340	
18	253	TRUCKER	1	HE400	S235JR	200	340	
19	253	TRUCKER	1	HE400	S235JR	200	340	
20	253	TRUCKER	1	HE400	S235JR	200	340	
21	253	TRUCKER	1	HE400	S235JR	200	340	
22	253	TRUCKER	1	HE400	S235JR	200	340	
23	253	TRUCKER	1	HE400	S235JR	200	340	
24	253	TRUCKER	1	HE400	S235JR	200	340	
25	253	TRUCKER	1	HE400	S235JR	200	340	
26	253	TRUCKER	1	HE400	S235JR	200	340	
27	253	TRUCKER	1	HE400	S235JR	200	340	
28	253	TRUCKER	1	HE400	S235JR	200	340	
29	253	TRUCKER	1	HE400	S235JR	200	340	
30	253	TRUCKER	1	HE400	S235JR	200	340	
31	253	TRUCKER	1	HE400	S235JR	200	340	
32	253	TRUCKER	1	HE400	S235JR	200	340	
33	253	TRUCKER	1	HE400	S235JR	200	340	
34	253	TRUCKER	1	HE400	S235JR	200	340	
35	253	TRUCKER	1	HE400	S235JR	200	340	
36	253	TRUCKER	1	HE400	S235JR	200	340	
37	253	TRUCKER	1	HE400	S235JR	200	340	
38	253	TRUCKER	1	HE400	S235JR	200	340	
total weight (kg)								2460

Shipping dimensions (H x B x L) 100 x 24 x 600

Bill of material for 1 Ship - POS. 250 total 4 X done

Nr.	Ter.	pos. designation	qty	prof.	quality	length	weight	Rev.
1	250	TRUCKER	1	HE400	S235JR	1000	520	
2	250	TRUCKER	1	HE400	S235JR	1000	520	
3	250	TRUCKER	1	HE400	S235JR	1000	520	
4	250	TRUCKER	1	HE400	S235JR	1000	520	
total weight (kg)								2080

Shipping dimensions (H x B x L) 150 x 100 x 1000

Bill of material for 1 Ship - POS. 249 total 1 X done

Nr.	Ter.	pos. designation	qty	prof.	quality	length	weight	Rev.
1	249	TRUCKER	1	HE400	S235JR	200	360	
total weight (kg)								360

Bill of material for 1 Ship - POS. 247 total 2 X done

Nr.	Ter.	pos. designation	qty	prof.	quality	length	weight	Rev.
1	247	TRUCKER	1	HE400	S235JR	200	360	
2	247	TRUCKER	1	HE400	S235JR	200	360	
total weight (kg)								720

Bill of material for 1 Ship - POS. 246 total 1 X done

Nr.	Ter.	pos. designation	qty	prof.	quality	length	weight	Rev.
1	246	TRUCKER	1	HE400	S235JR	200	360	
total weight (kg)								360

Fyrir hönd Conis ehf, kt. 600105-1400 staðfestist að teikning þessi hefur verið yfirfarin. Teikningin er í samræmi við íslenska staða og reglugerðir. 28/10/07

Nafn: *[Signature]*
 Kennitala: 130657-01/07

Tolerance for welded constructions according to DIN 8570, Pt.1-3/B4:1087
 Welding (W P S) according to DIN EN 288 - 2

Required torques/prestressing forces and forced tension angles according to DIN 18800 Pt. 1, 5/83

All unmarked welds to be fillet continuous a=6mm thick, not greater than 0,7 d of the thinner element

The material for cap plates 120 mm thick to be examined for laminations

BIURO INZYNIERSKIE
 Marek i Janina MUCHA
 Osiny, ul. Opolska 30a, 46-070 Komprachcice tel:077-46 46 757

Pos. 112,246-255

TJARNARVELLIR 11
 Steel Office part
 DRG 105