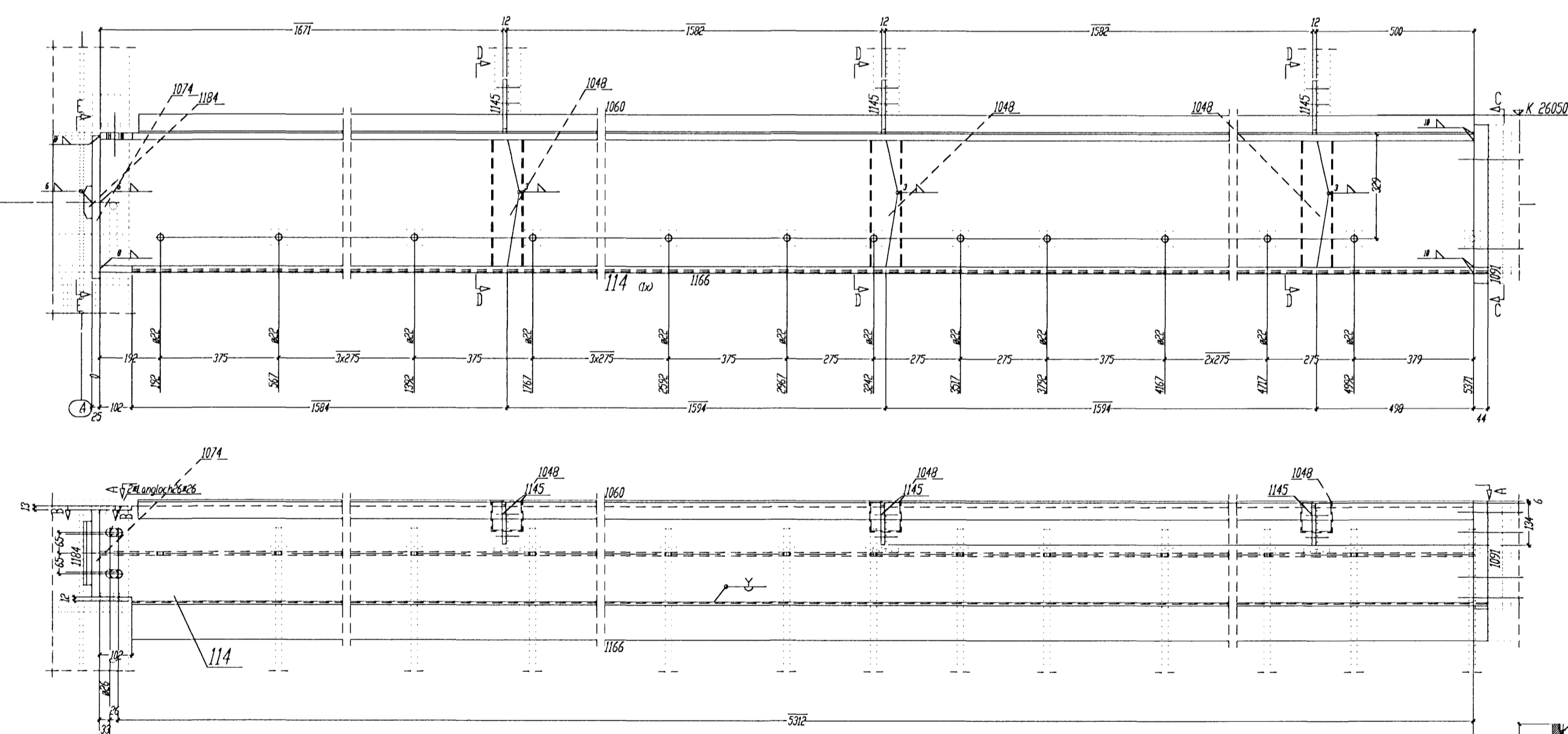
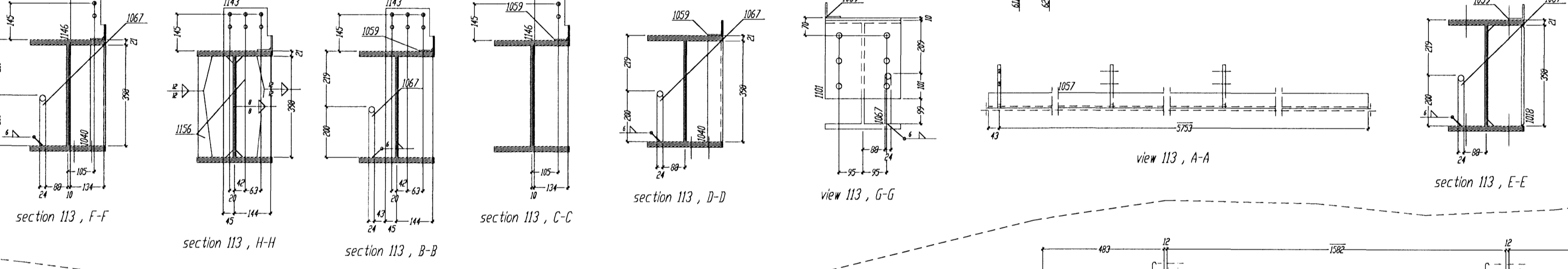


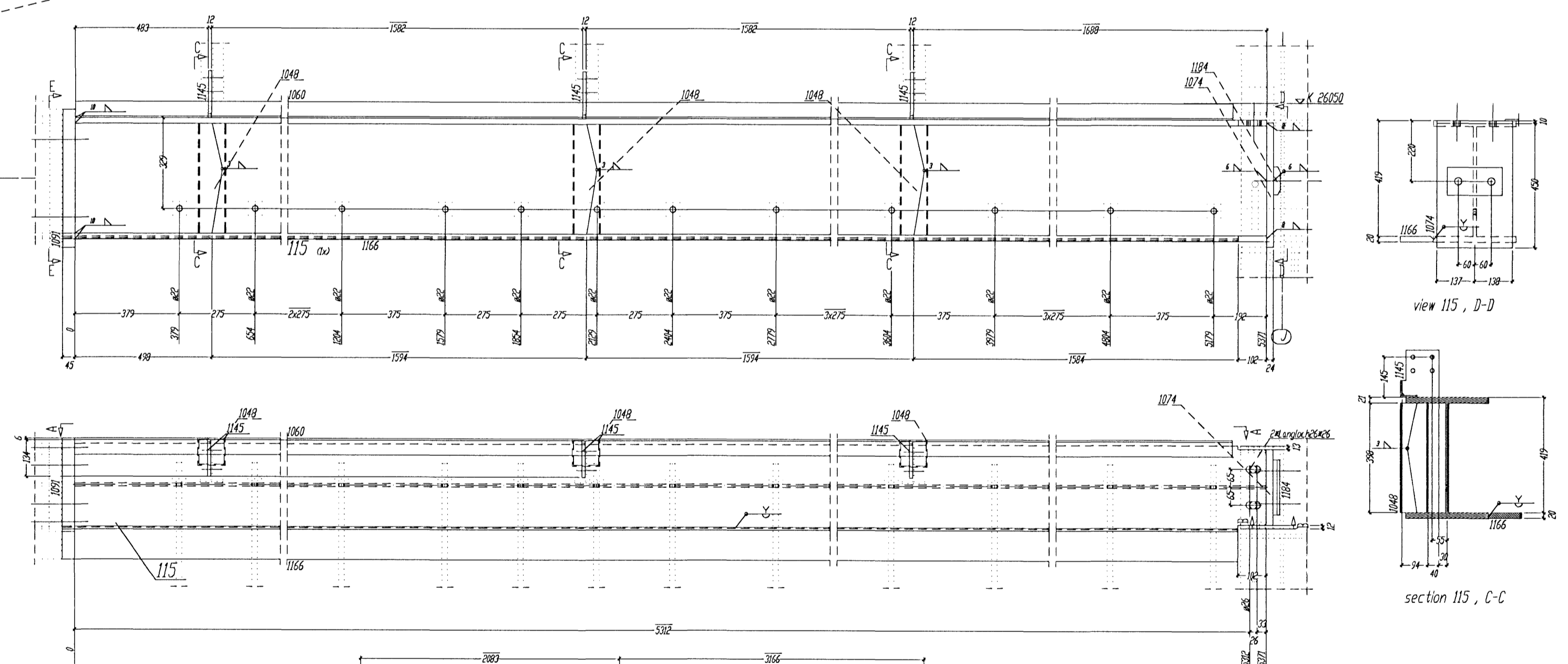
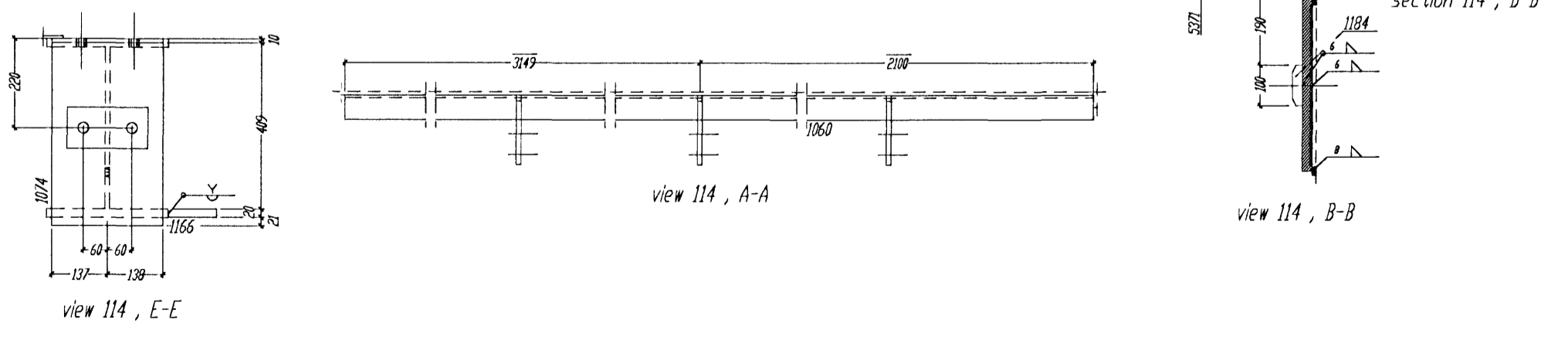
Bill of material for 1 Shop - DOS: 113 total 1 x done

№	Trn	pos	designation	qty	prof	quality	length	weight	Ann
1	1	113	TRAILER	1	HEA40	S235JR	1060	253,90	
2	1	1109	TRAILER	1	HEA30	S235JR	290	68,80	
3	1	1140		4	1040	S235JR	398	254,1	
4	1	1107		1	11046	S235JR	5796	28,4	
5	1	1107		1	11046	S235JR	5340	26,94	
6	1	1107		15	10204	S235JR	550	29,34	
7	1	1107		1	11124-200	S235JR	398	18,70	
8	1	1143	TRAILER	2	HEA40	S235JR	189	6,44	
9	1	1146	TRAILER	3	HEA40	S235JR	124	6,44	
10	1	1106	PLATE	2	HEA40	S235JR	290	19,99	
Total weight (kg)									1004,36
Shipping dimensions (l x b x h) (mm)									11635



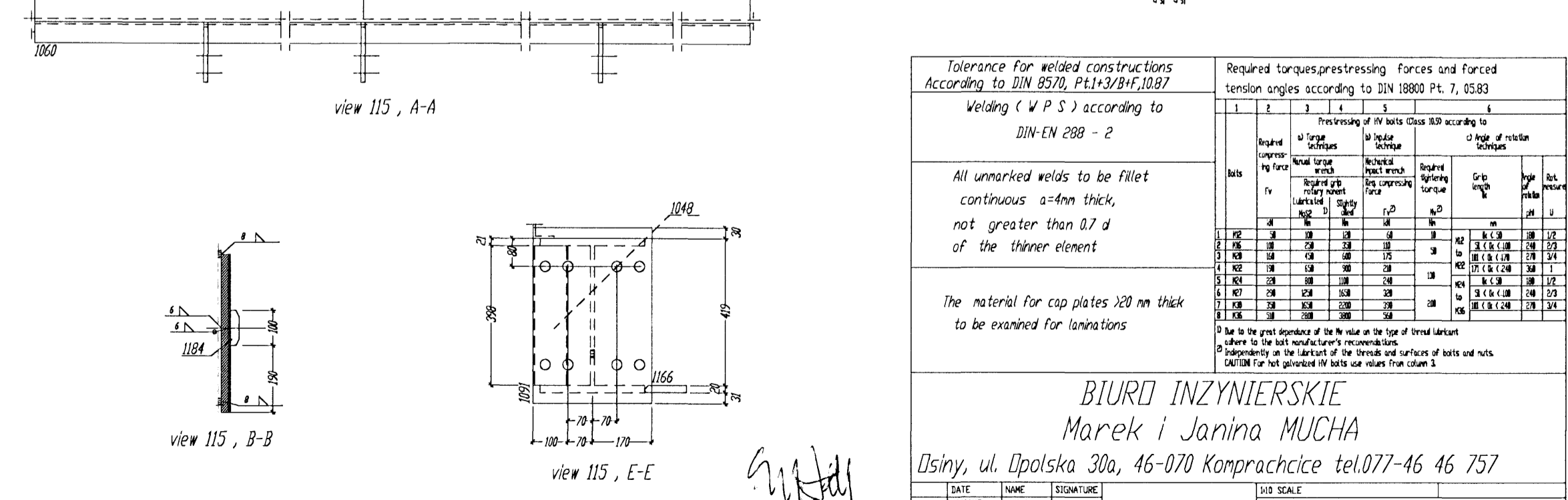
Bill of material for 1 Shop - DOS: 114 total 1 x done

№	Trn	pos	designation	qty	prof	quality	length	weight	Ann
1	1	114	TRAILER	1	HEA40	S235JR	570	25,94	
2	1	1140		3	1040	S235JR	398	142,7	
3	1	1106		1	11046	S235JR	5249	28,43	
4	1	1114	TRAILER	1	HEA40	S235JR	275	24,29	
5	1	1101	PLATE	1	HEA40	S235JR	380	6,00	
6	1	1145	TRAILER	3	HEA40	S235JR	124	6,44	
7	1	1106	TRAILER	1	HEA40	S235JR	534	18,12	
8	1	1104	TRAILER	1	HEA40	S235JR	290	19,99	
Total weight (kg)									390,47
Shipping dimensions (l x b x h) (mm)									5466



Bill of material for 1 Shop - DOS: 115 total 1 x done

№	Trn	pos	designation	qty	prof	quality	length	weight	Ann
1	1	115	TRAILER	1	HEA40	S235JR	570	25,94	
2	1	1140		3	1040	S235JR	398	142,7	
3	1	1106		1	11046	S235JR	5249	28,43	
4	1	1114	TRAILER	1	HEA40	S235JR	275	24,29	
5	1	1101	PLATE	1	HEA40	S235JR	380	6,00	
6	1	1145	TRAILER	3	HEA40	S235JR	124	6,44	
7	1	1106	TRAILER	1	HEA40	S235JR	534	18,12	
8	1	1104	TRAILER	1	HEA40	S235JR	290	19,99	
Total weight (kg)									390,47
Shipping dimensions (l x b x h) (mm)									5466



Tolerance for welded constructions according to DIN 8570, P11-2/B/F, 10/97  
Welding (W P S) according to DIN EN 288 - 2

All unmarked welds to be fillet continuous a=4mm thick, not greater than 0,7 d of the thinner element

The material for cap plates 320 mm thick to be expanded for laminations

Required laminating forces and forced tension angles according to DIN 18800 Pt. 7, 05/83

BIURO INZYNIERSKIE  
Marek i Janina MUCHA  
Dzieln. ul. Dulska 30a, 46-070 Komprachcice tel.077-46 46 757

Pos. 113-115  
TJARNARVELLIR 11  
Steel Office part  
DRG 106 a

Fyrir hönd Conis ehf, kt. 600105-1400  
staðfestist að teikning þessi hefur verið  
yfirlit. Teikningin er í samræmi við  
íslenska stöðla og reglugerðir. 28/9/07

130657-4437  
Kennitala