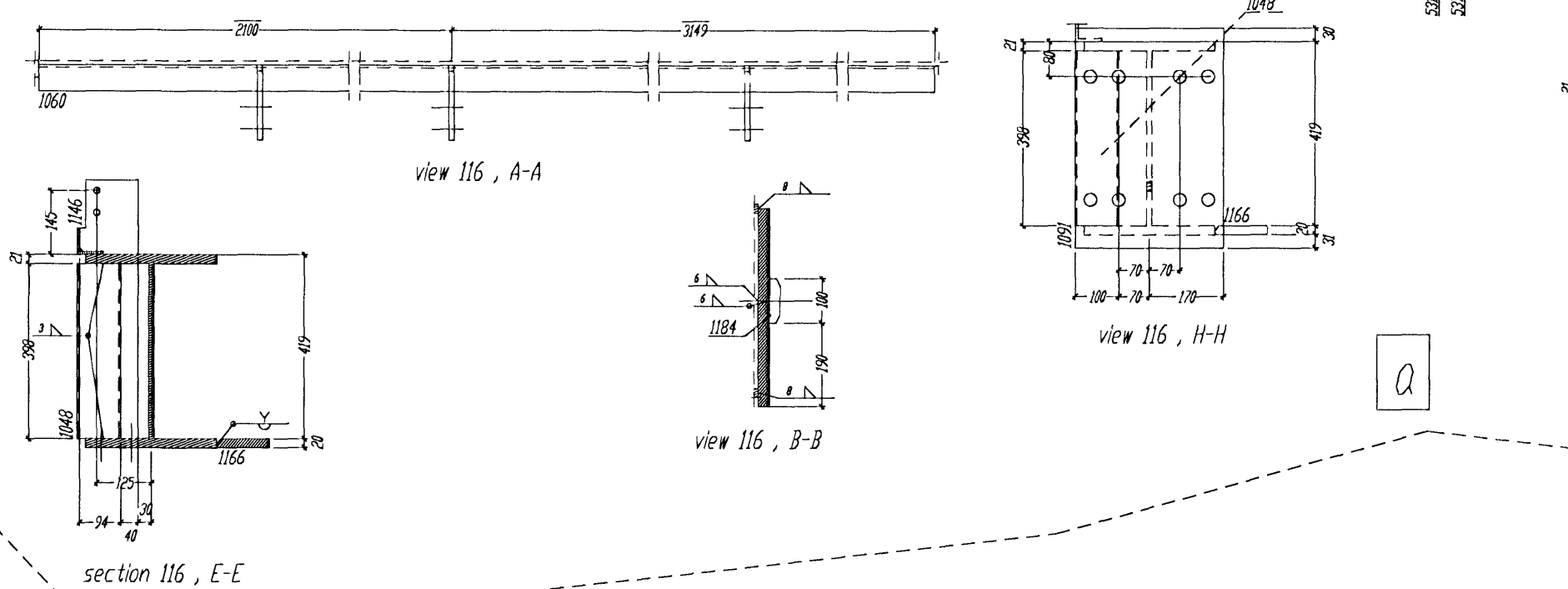


## Bill of material for 1 Ship - POS. 116 total 1 X done

№	Part	pos. designation	qty	profil	quality	length	weight	dim
1	116	TRACER	1	HEA400	S235JR2	5371	25134	
2	116A	TRACER	3	HEA100	S235JR2	298	1427	
3	116B	TRACER	1	LS606	S235JR2	549	2845	
4	117A	TRACER	1	HEA200	S235JR2	275	2429	
5	117B	PLATE	1	HEA200	S235JR2	300	6820	
6	117C	TRACER	3	HEA100	S235JR2	298	1427	
7	117D	TRACER	1	HEA200	S235JR2	189	348	
8	117E	TRACER	1	HEA200	S235JR2	134	215	
9	117F	TRACER	1	HEA200	S235JR2	534	1012	
10	117G	TRACER	1	HEA200	S235JR2	290	330	
11	117H	TRACER	1	HEA200	S235JR2	290	330	
total weight (kg)							29825	

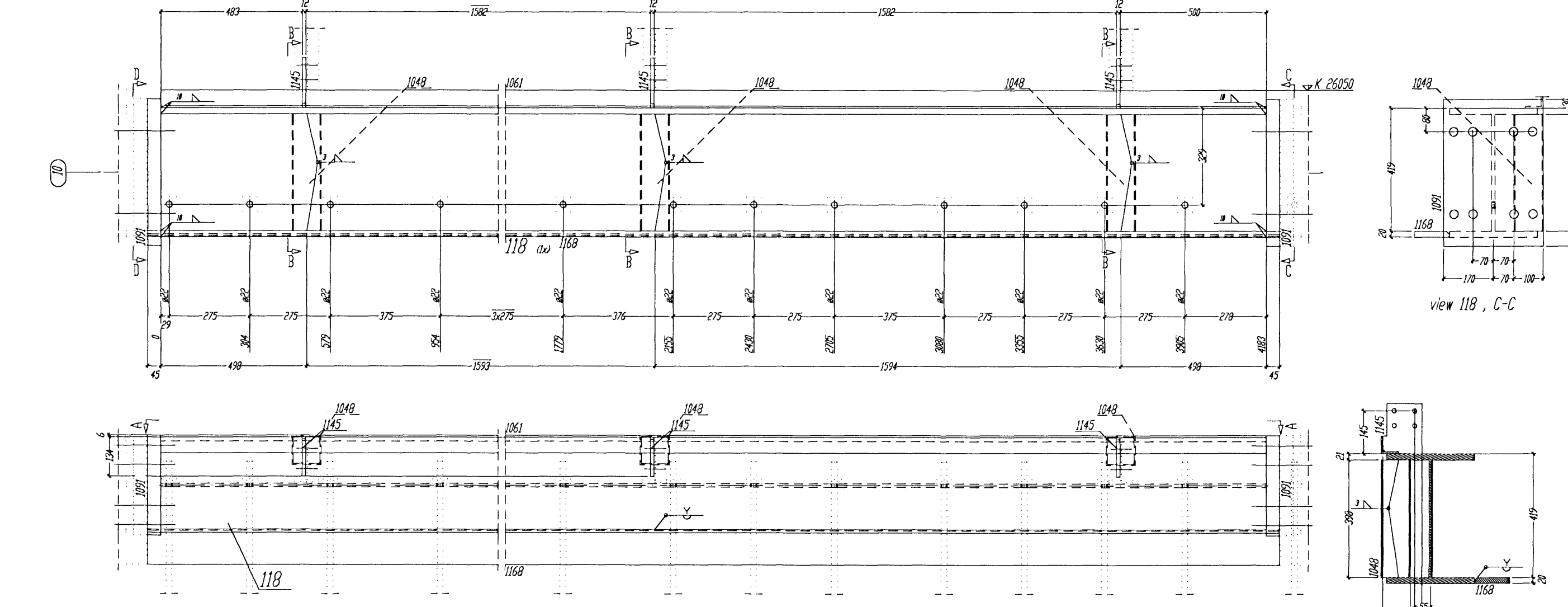
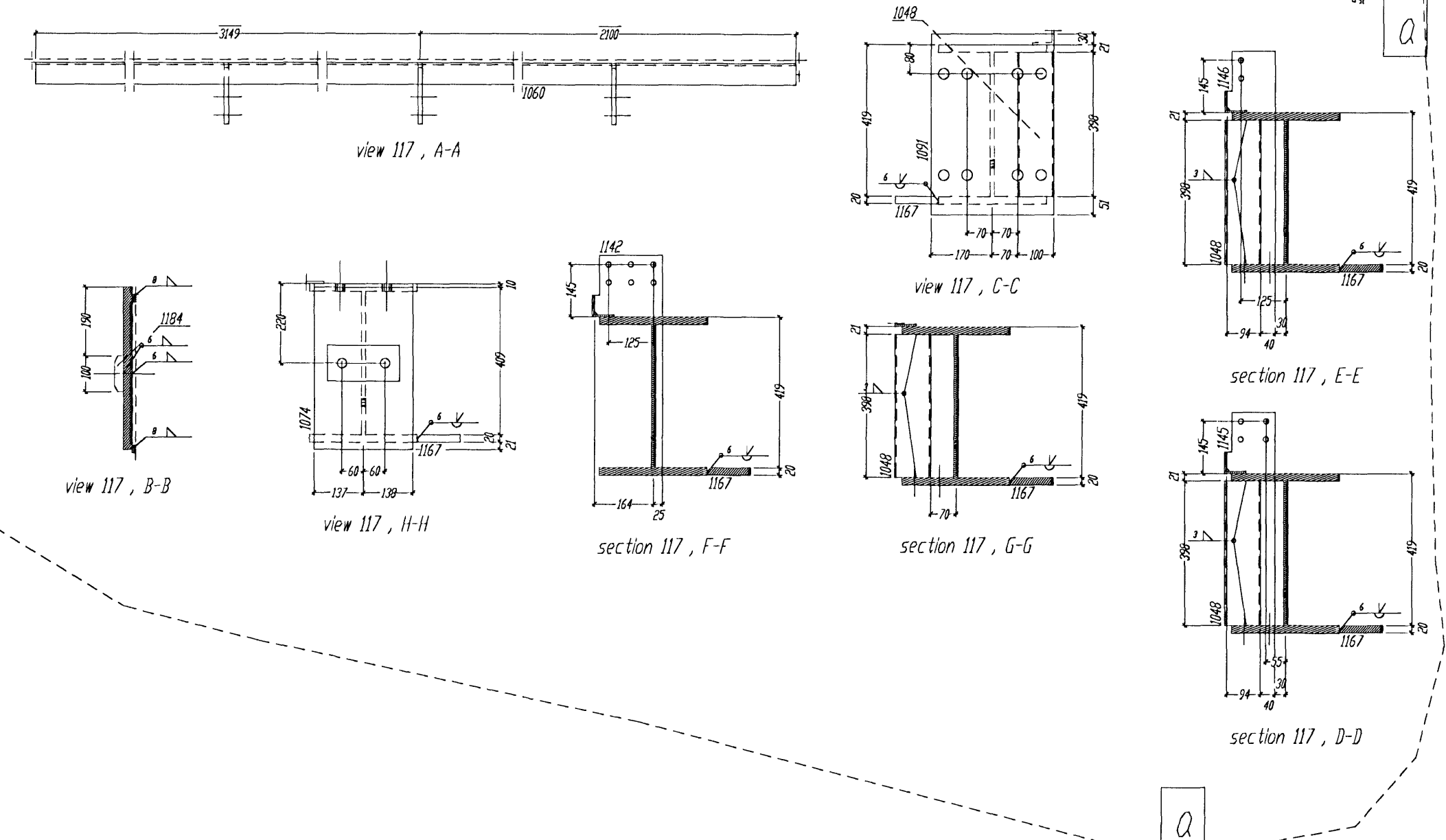
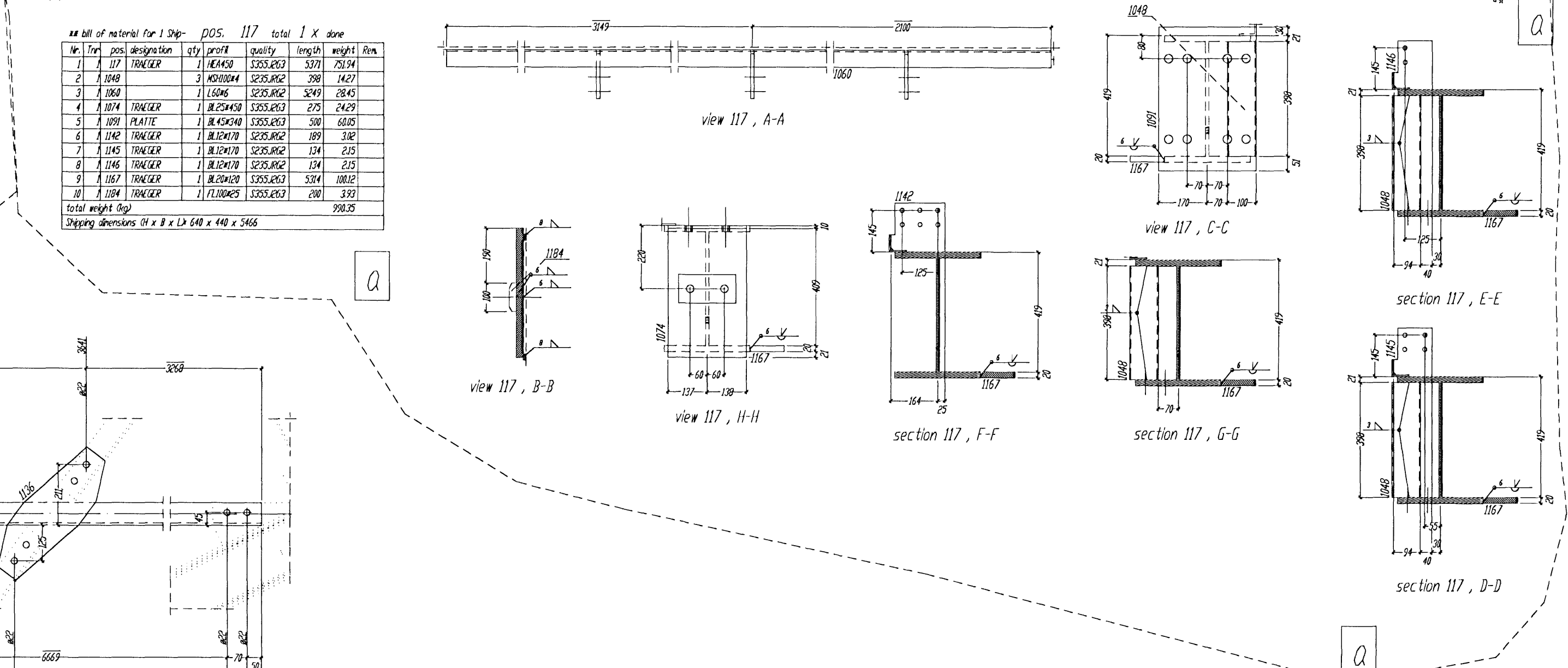
Shipping dimensions 01 x B x Lx 640 x 440 x 5466



## Bill of material for 1 Ship - POS. 117 total 1 X done

№	Part	pos. designation	qty	profil	quality	length	weight	dim
1	117	TRACER	1	HEA400	S235JR2	5371	25134	
2	117A	TRACER	3	HEA100	S235JR2	298	1427	
3	117B	TRACER	1	LS606	S235JR2	549	2845	
4	117C	TRACER	1	HEA200	S235JR2	275	2429	
5	117D	PLATE	1	HEA200	S235JR2	300	6820	
6	117E	TRACER	1	HEA200	S235JR2	189	348	
7	117F	TRACER	1	HEA200	S235JR2	134	215	
8	117G	TRACER	1	HEA200	S235JR2	534	1012	
9	117H	TRACER	1	HEA200	S235JR2	290	330	
10	117I	TRACER	1	HEA200	S235JR2	290	330	
total weight (kg)							29825	

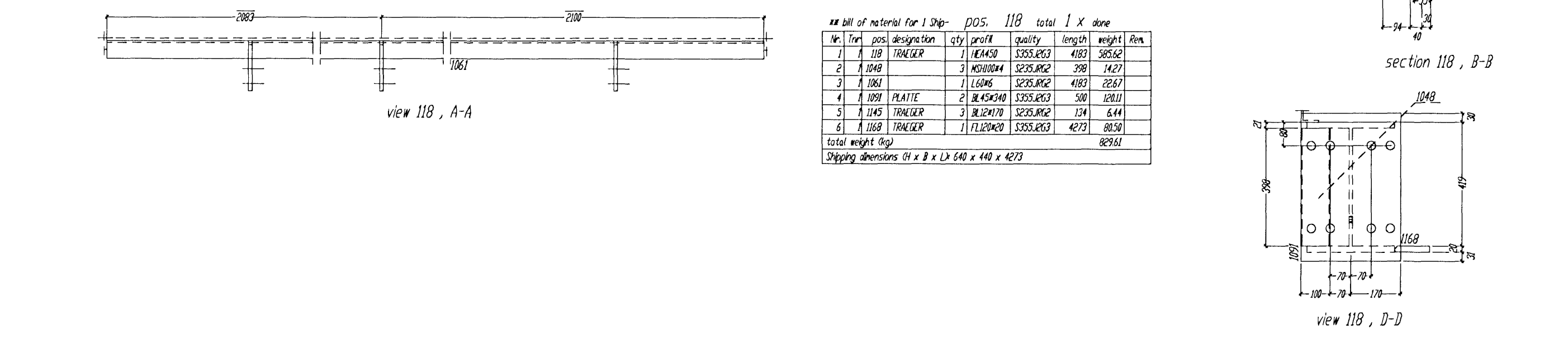
Shipping dimensions 01 x B x Lx 640 x 440 x 5466



## Bill of material for 1 Ship - POS. 118 total 1 X done

№	Part	pos. designation	qty	profil	quality	length	weight	dim
1	118	TRACER	1	HEA400	S235JR2	4920	23524	
2	118A	TRACER	3	HEA100	S235JR2	298	1427	
3	118B	TRACER	1	LS606	S235JR2	493	2647	
4	118C	PLATE	2	HEA200	S235JR2	300	10110	
5	118D	TRACER	3	HEA100	S235JR2	134	644	
6	118E	TRACER	1	HEA200	S235JR2	473	8659	
total weight (kg)							48764	

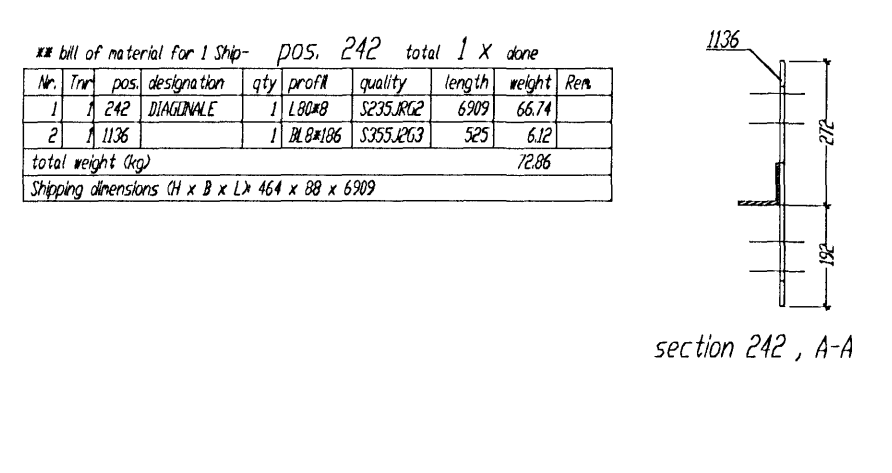
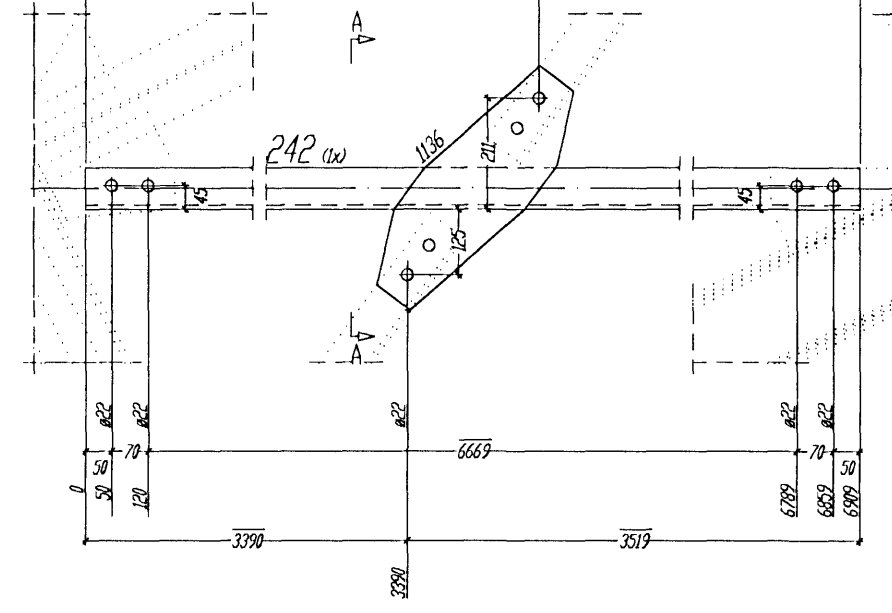
Shipping dimensions 01 x B x Lx 640 x 440 x 4273



## Bill of material for 1 Ship - POS. 242 total 1 X done

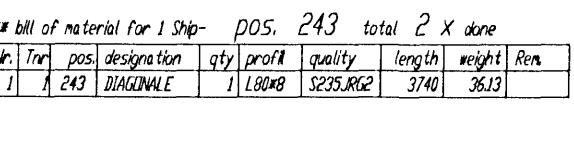
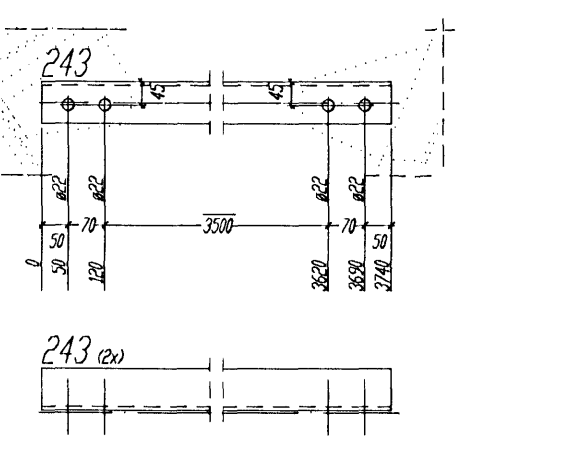
№	Part	pos. designation	qty	profil	quality	length	weight	dim
1	242	BRACKET	1	HEA100	S235JR2	600	1674	
2	117B	TRACER	1	HEA200	S235JR2	321	632	
total weight (kg)							2306	

Shipping dimensions 01 x B x Lx 464 x 38 x 5389



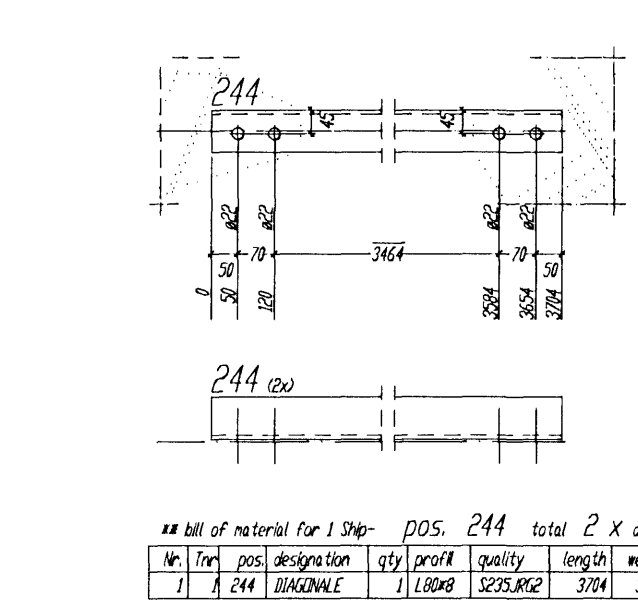
## Bill of material for 1 Ship - POS. 243 total 2 X done

№	Part	pos. designation	qty	profil	quality	length	weight	dim
1	243	BRACKET	1	LS606	S235JR2	370	3612	
total weight (kg)							7224	



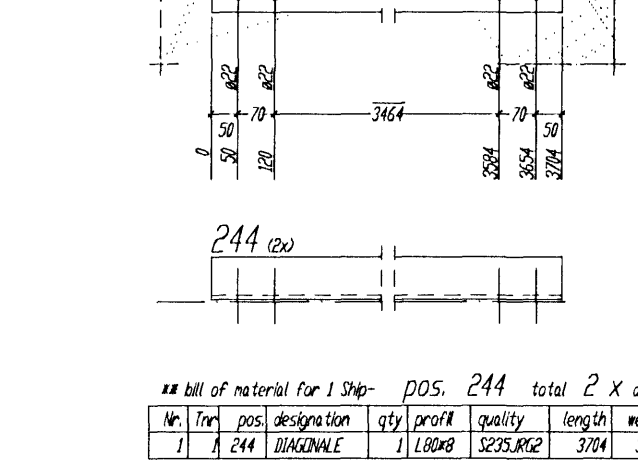
## Bill of material for 1 Ship - POS. 244 total 2 X done

№	Part	pos. designation	qty	profil	quality	length	weight	dim
1	244	BRACKET	1	LS606	S235JR2	370	3612	
total weight (kg)							7224	



## Bill of material for 1 Ship - POS. 245 total 3 X done

№	Part	pos. designation	qty	profil	quality	length	weight	dim
1	245	BRACKET	1	LS606	S235JR2	302	2931	
total weight (kg)							8793	



Fyrir hönd Conis ehf. kt. 600105-1400  
staðfestist að teikning þessi hefur verið  
yfirlarin. Teikningin er í samræmi við  
íslenska staðla og reglugerðir. 28/9/07  
130557-4435  
Nafn Kennitala

Tolerance for welded constructions  
According to DIN 9570, Pt.1+3/B1C,10B7  
Welding (W.P.S.) according to  
DIN EN 288 - 2

All unmarked welds to be fillet  
continuous a=4mm thick,  
not greater than 0.7 d  
of the thinner element

The material for cap plates 20mm thick  
to be examined for laminations

BIURO INZYNIERSKIE  
Marek i Janina MUCHA  
Usiny, ul. Działka 30a, 46-070 Komprachcice tel.077-46 46 757

Pos. 116-118,242-245  
TJARNARVELLIR 11  
Steel Office part  
DRG 107 a