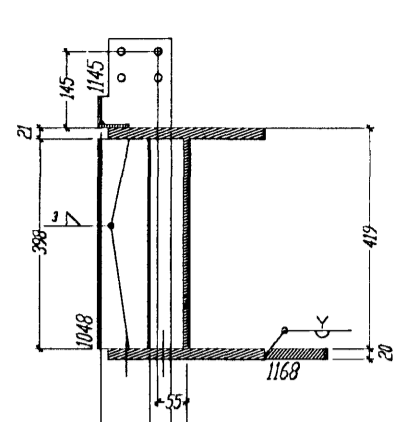
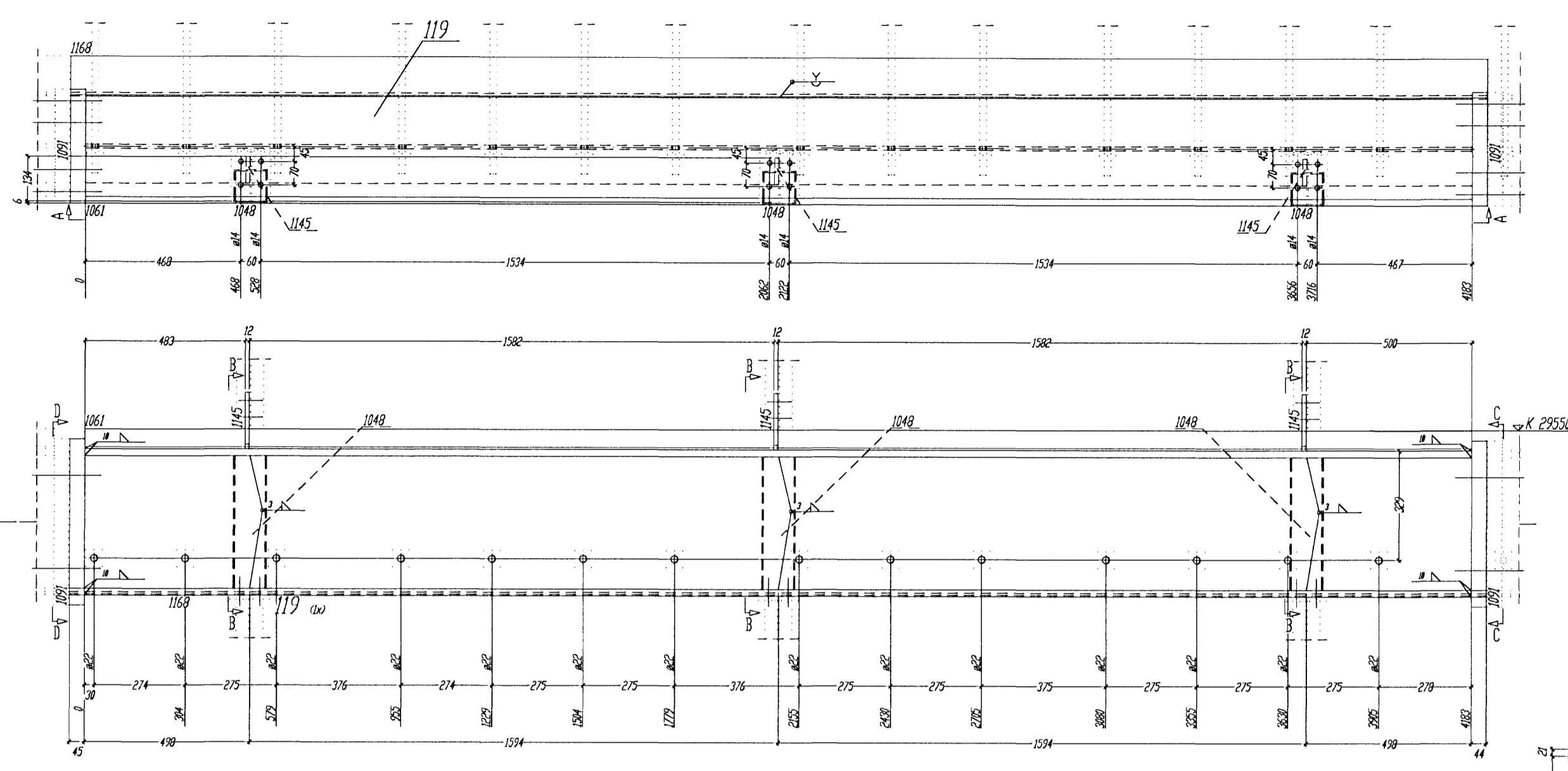
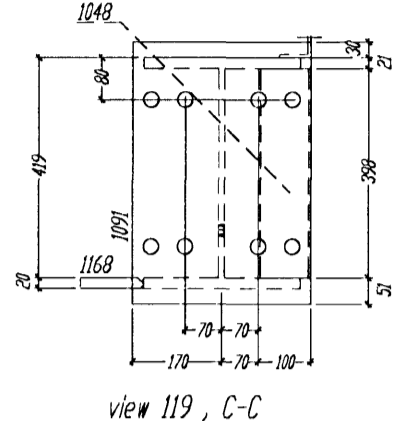


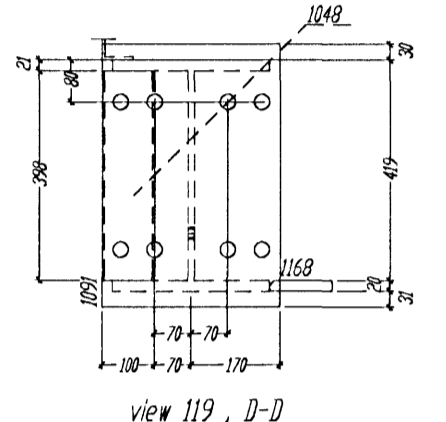
Byggingarhúsið Hálfurinn
Máttel 119
1.6 FEB 2009



section 119, B-B



view 119, C-C



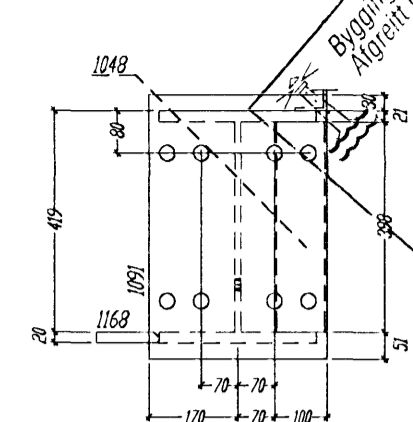
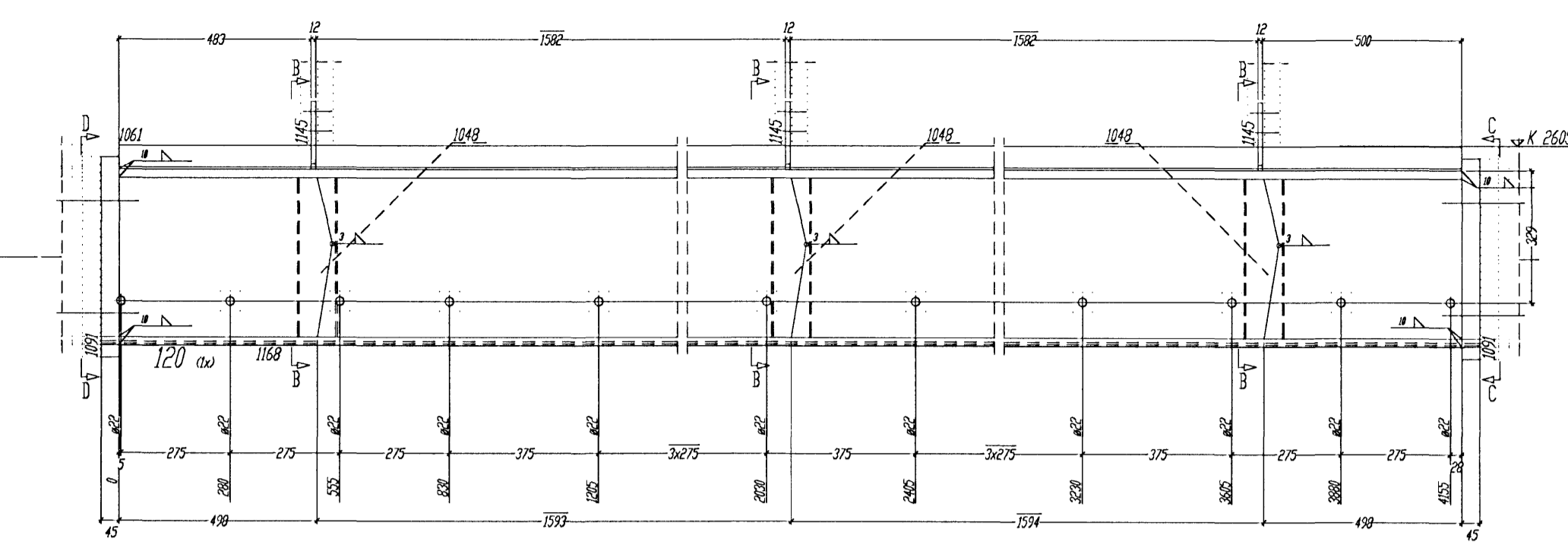
view 119, D-D

Bill of material for 1 Dip- POS. 119 total 1 X done

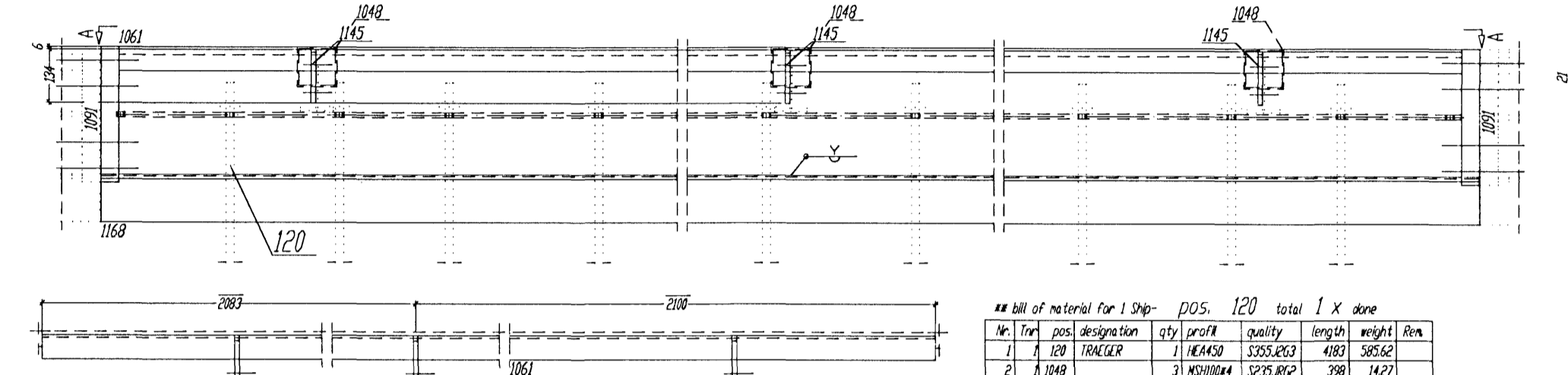
No	Pos	Designation	Qty	Profile	Quality	Length	Weight	Dim
1	A 119	TRACER	1	HE400	S235JR2	480	585.62	
2	A 1048		3	M200x4	S235JR2	398	142.7	
3	A 1081		1	L1606	S235JR2	480	226.7	
4	A 1098	PLATE	2	R 45x40	S235JR2	500	100.1	
5	A 1145	TRACER	3	R 16x170	S235JR2	134	6.44	
6	A 1168	TRACER	1	FL160x20	S235JR2	4273	88.50	
Total weight (kg)							893.0	

Shipping dimensions: 01 x B x L: 640 x 440 x 4273

view 119, A-A



view 120, C-C



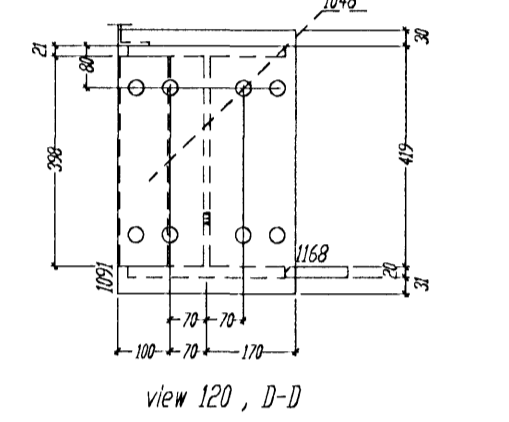
view 120, A-A

Bill of material for 1 Dip- POS. 120 total 1 X done

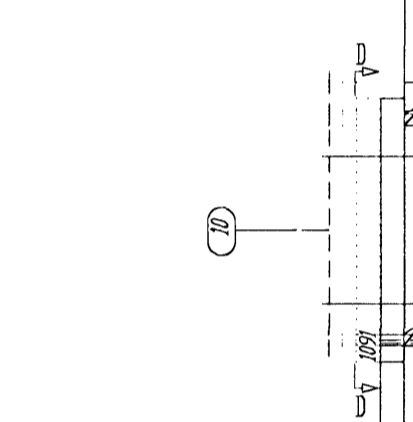
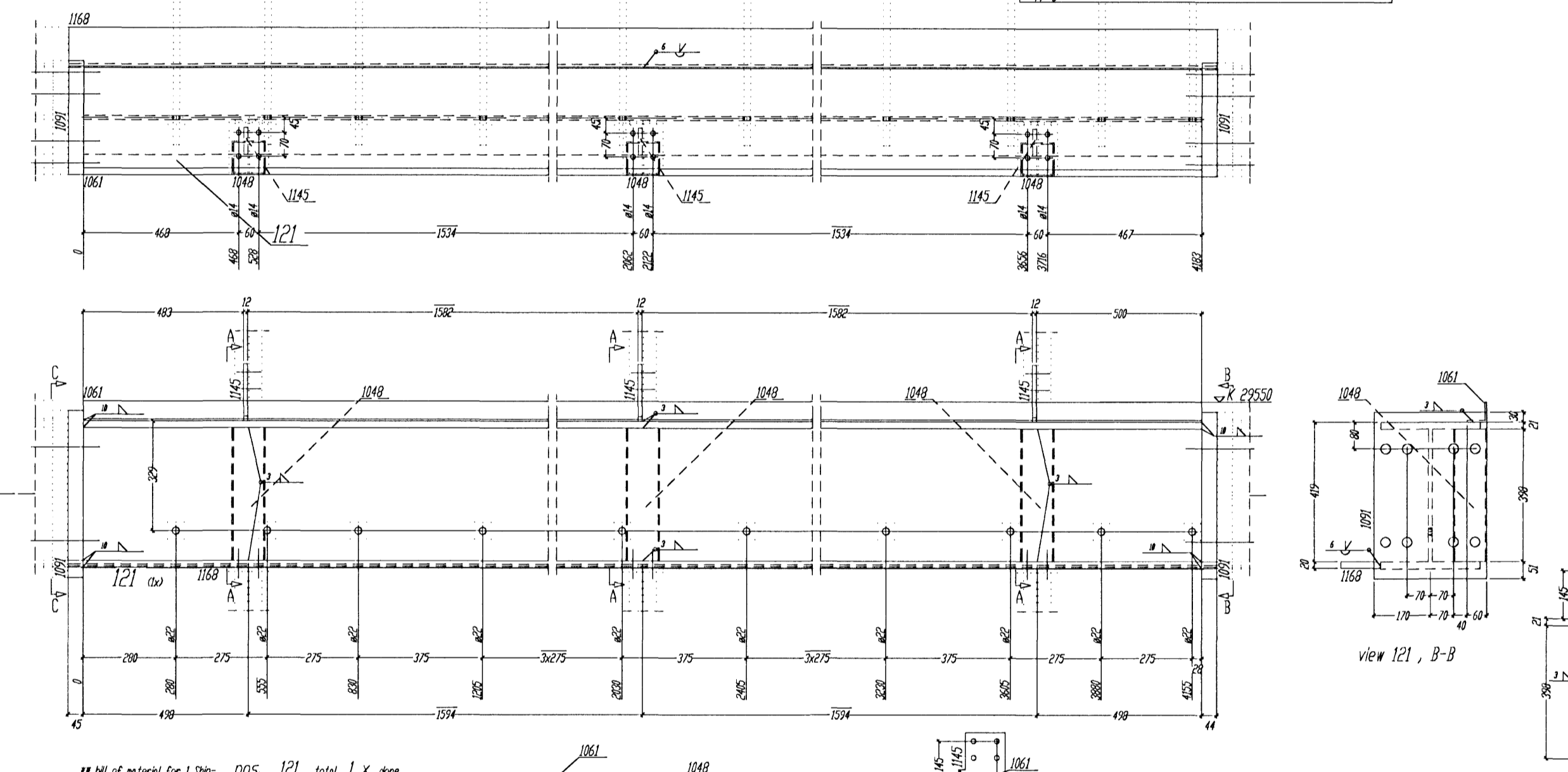
No	Pos	Designation	Qty	Profile	Quality	Length	Weight	Dim
1	A 120	TRACER	1	HE400	S235JR2	480	585.62	
2	A 1048		3	M200x4	S235JR2	398	142.7	
3	A 1081		1	L1606	S235JR2	480	226.7	
4	A 1098	PLATE	2	R 45x40	S235JR2	500	100.1	
5	A 1145	TRACER	3	R 16x170	S235JR2	134	6.44	
6	A 1168	TRACER	1	FL160x20	S235JR2	4273	88.50	
Total weight (kg)							893.0	

Shipping dimensions: 01 x B x L: 640 x 440 x 4273

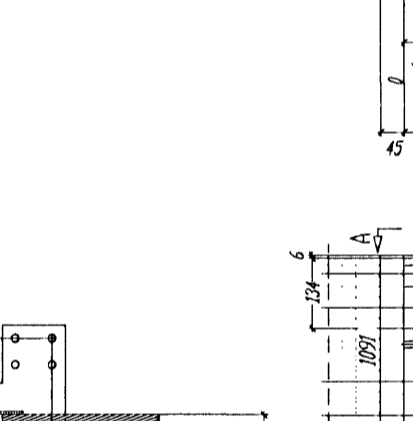
section 120, B-B



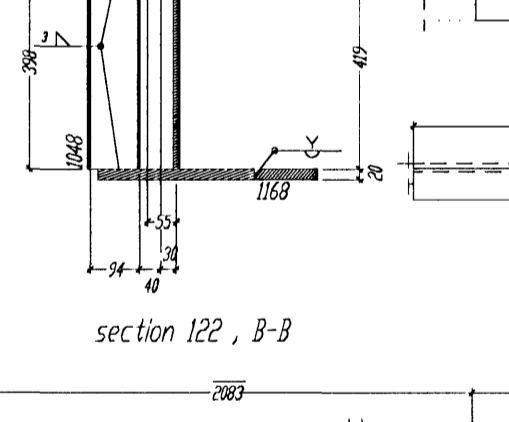
view 120, D-D



section 121, B-B



view 121, C-C



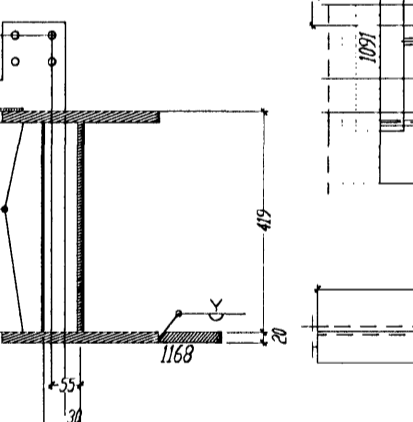
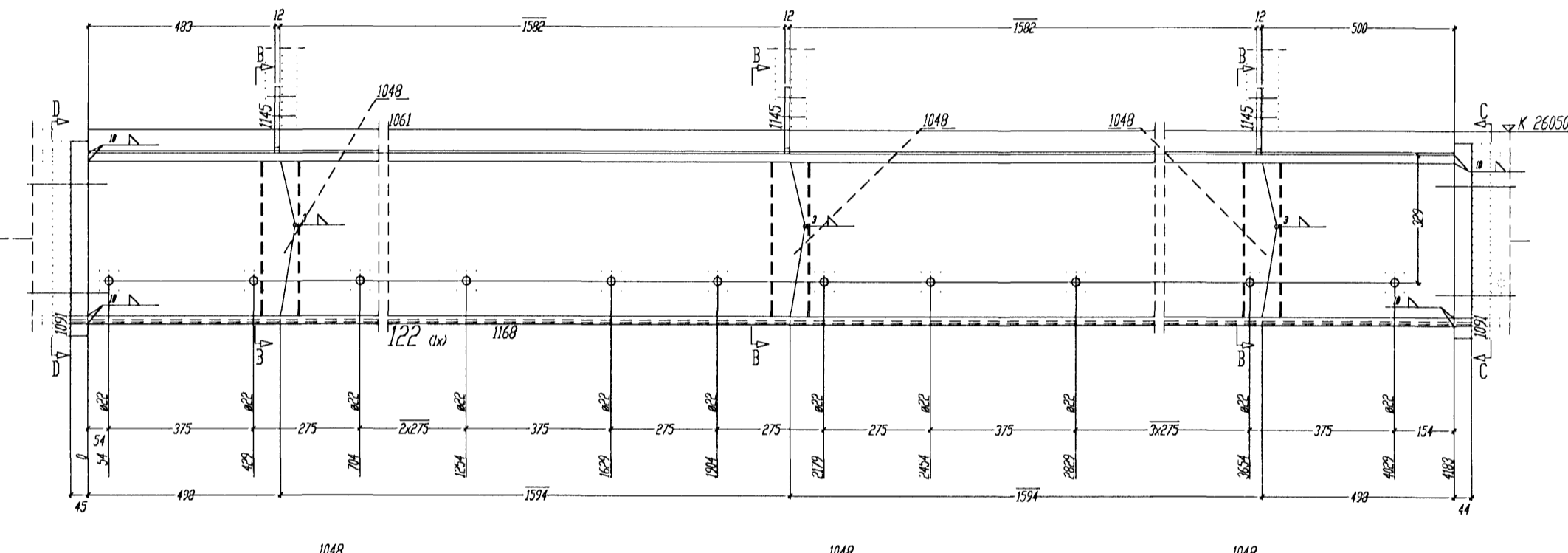
view 121, D-D

Bill of material for 1 Dip- POS. 121 total 1 X done

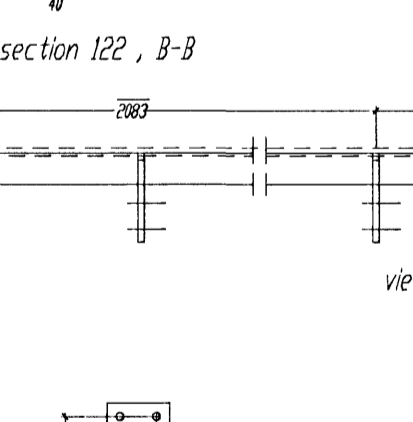
No	Pos	Designation	Qty	Profile	Quality	Length	Weight	Dim
1	A 121	TRACER	1	HE400	S235JR2	480	585.62	
2	A 1048		3	M200x4	S235JR2	398	142.7	
3	A 1081		1	L1606	S235JR2	480	226.7	
4	A 1098	PLATE	2	R 45x40	S235JR2	500	100.1	
5	A 1145	TRACER	3	R 16x170	S235JR2	134	6.44	
6	A 1168	TRACER	1	FL160x20	S235JR2	4273	88.50	
Total weight (kg)							893.0	

Shipping dimensions: 01 x B x L: 640 x 440 x 4273

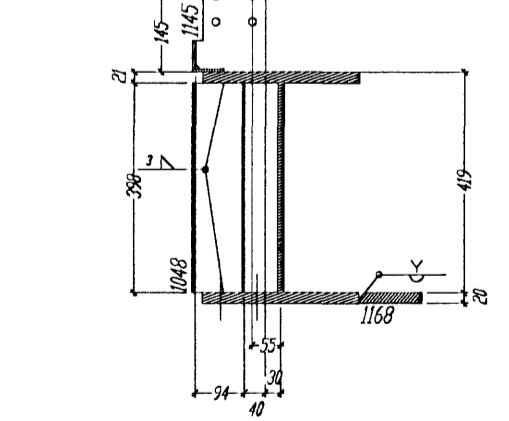
view 121, A-A



section 122, B-B



view 122, C-C



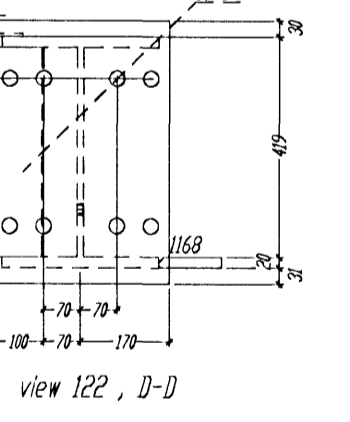
view 122, D-D

Bill of material for 1 Dip- POS. 122 total 1 X done

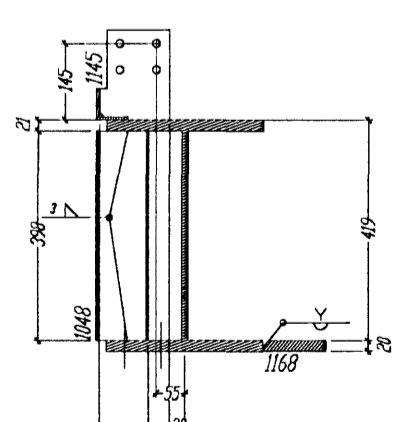
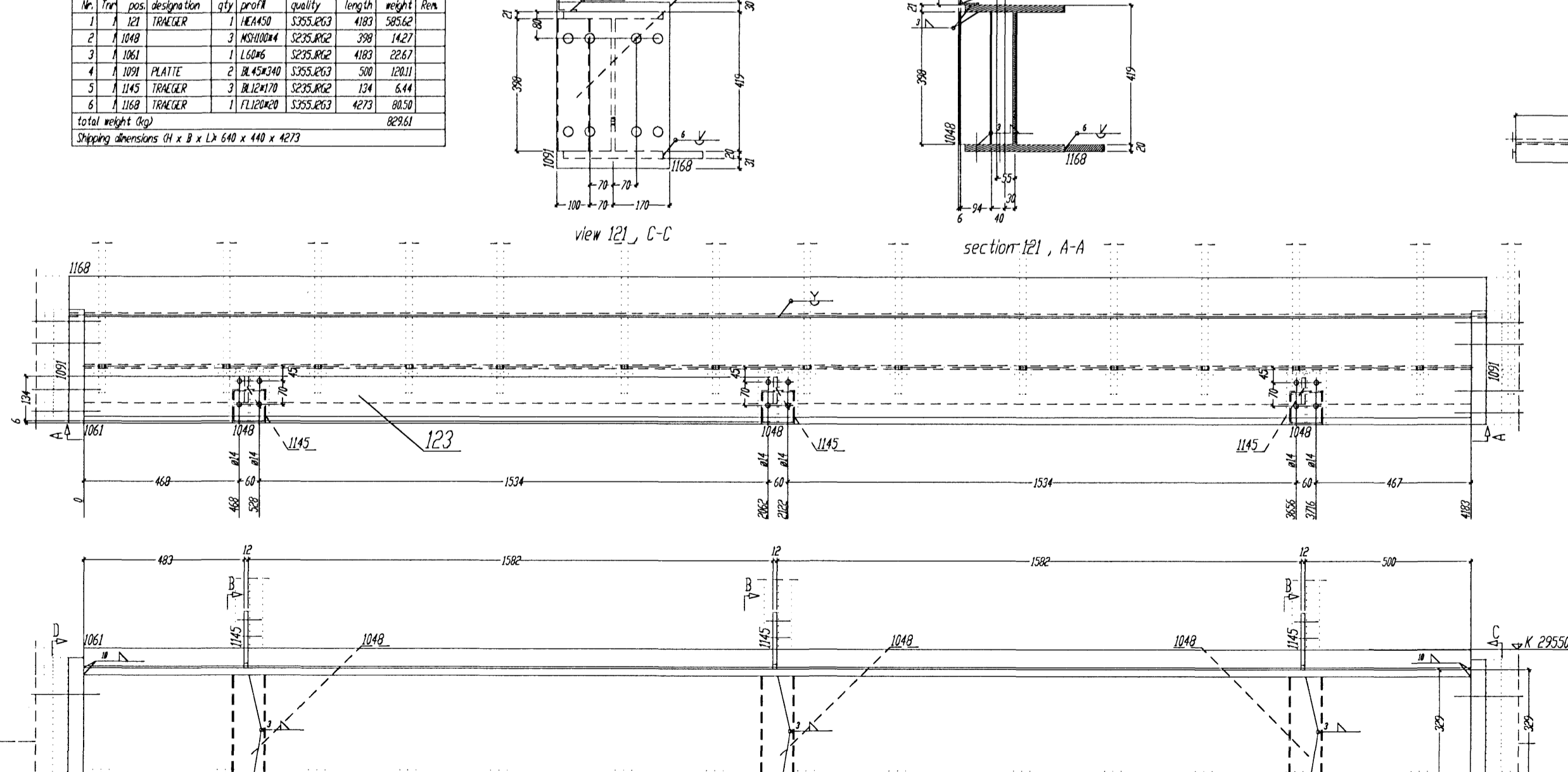
No	Pos	Designation	Qty	Profile	Quality	Length	Weight	Dim
1	A 122	TRACER	1	HE400	S235JR2	480	585.62	
2	A 1048		3	M200x4	S235JR2	398	142.7	
3	A 1081		1	L1606	S235JR2	480	226.7	
4	A 1098	PLATE	2	R 45x40	S235JR2	500	100.1	
5	A 1145	TRACER	3	R 16x170	S235JR2	134	6.44	
6	A 1168	TRACER	1	FL160x20	S235JR2	4273	88.50	
Total weight (kg)							893.0	

Shipping dimensions: 01 x B x L: 640 x 440 x 4273

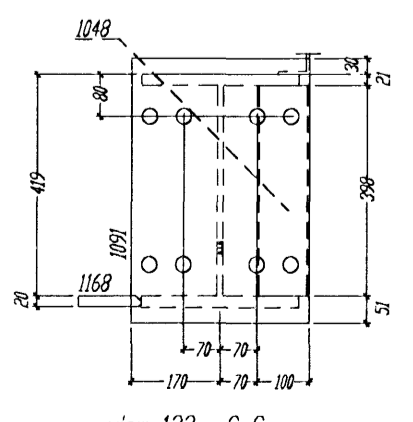
view 122, A-A



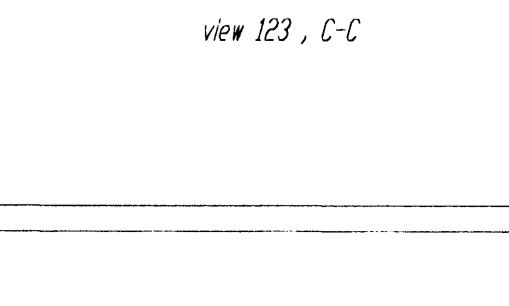
view 122, D-D



section 123, B-B



view 123, C-C

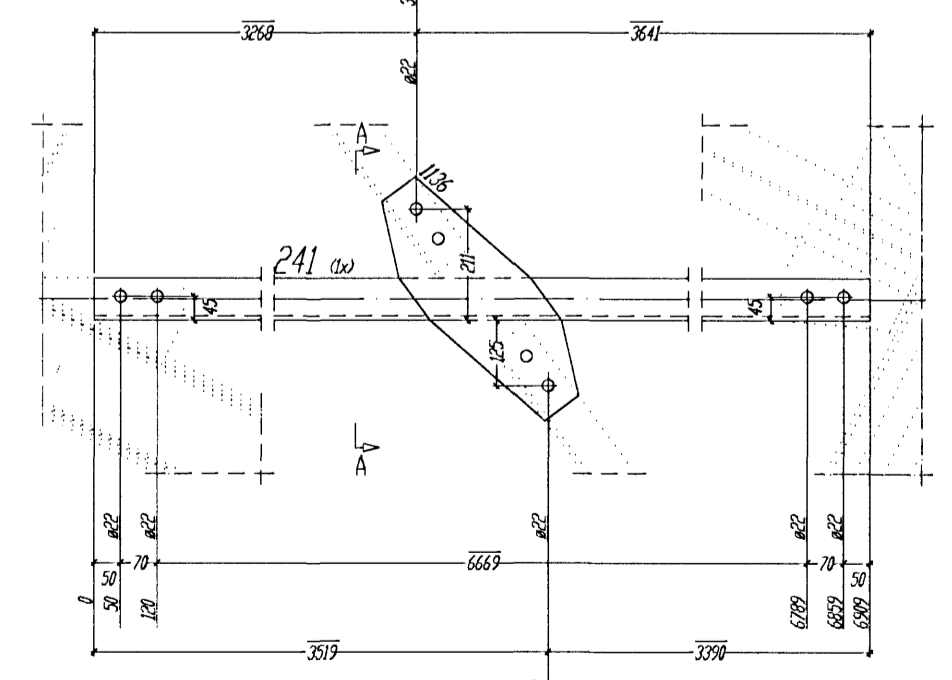


view 123, D-D

Bill of material for 1 Dip- POS. 123 total 1 X done

No	Pos	Designation	Qty	Profile	Quality	Length	Weight	Dim
1	A 123	TRACER	1	HE400	S235JR2	480	585.62	
2	A 1048		3	M200x4	S235JR2	398	142.7	
3	A 1081		1	L1606	S235JR2	480	226.7	
4	A 1098	PLATE	2	R 45x40	S235JR2	500	100.1	
5	A 1145	TRACER	3	R 16x170	S235JR2	134	6.44	
6	A 1168	TRACER	1	FL160x20	S235JR2	4273	88.50	
Total weight (kg)							893.0	

Shipping dimensions: 01 x B x L: 640 x 440 x 4273

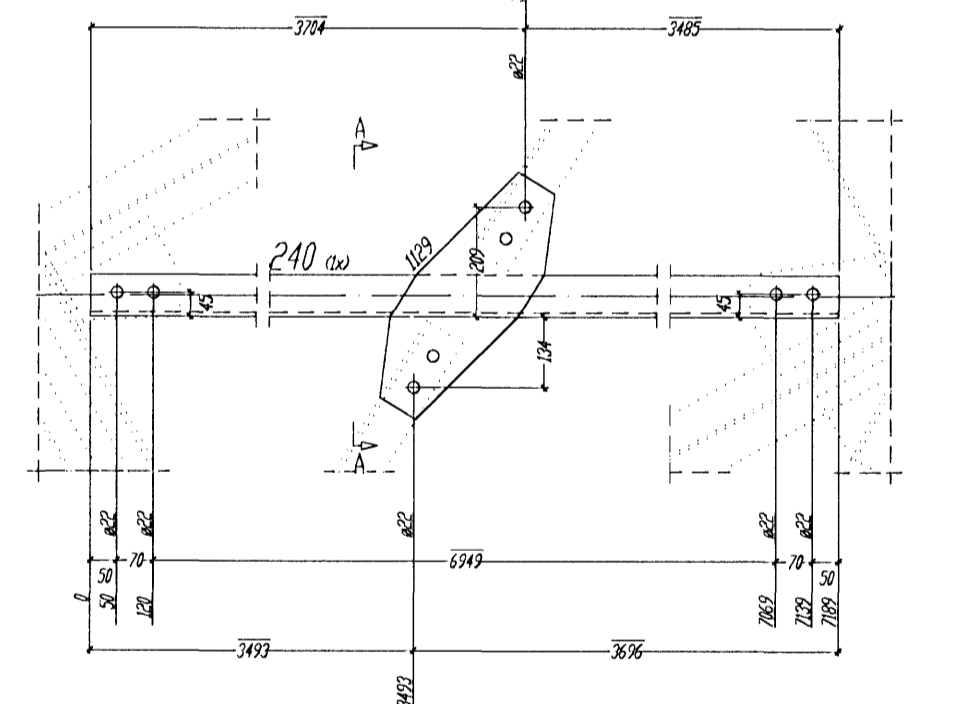


Bill of material for 1 Dip- POS. 241 total 1 X done

No	Pos	Designation	Qty	Profile	Quality	Length	Weight	Dim
1	A 241	DIAGONALE	1	L180x8	S235JR2	6089	66.74	
2	A 1168		1	FL160x8	S235JR2	820	6.10	
Total weight (kg)							72.84	

Shipping dimensions: 01 x B x L: 64 x 88 x 6089

section 241, A-A



section 240, A-A

Fyrir hönd Conis ehf, kt. 600105-1400
staðfestist að teikning þessi hefur verið
yfirlit. Teikningin er í samræmi við
Íslenska staða og reglugerðir. 28/07
Sálfur
Námin Kennitala 1302657-4413

Bill of material for 1 Dip- POS. 240 total 1 X done

No	Pos	Designation	Qty	Profile	Quality	Length	Weight	Dim
1	A 240	DIAGONALE	1	L180x8	S235JR2	7800	68.84	
2	A 1168		1	FL160x8	S235JR2	580	6.20	
Total weight (kg)							75.04	

Shipping dimensions: 01 x B x L: 640 x 88 x 7800

BIURO INZYNIERSKIE
Marek i Janina MUCHA
Osiny, ul. Opolska 30a, 46-070 Komprachcice tel:077-46 46 757

Project no:	119-123,240,241
Scale:	1:1
Author:	TJARNARVELLIR 11
Checked by:	Steel Office part
DATE:	DRG 108