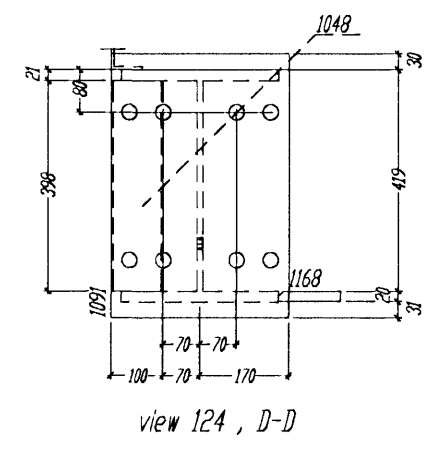
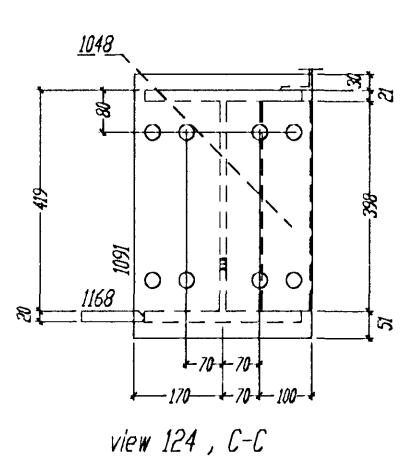
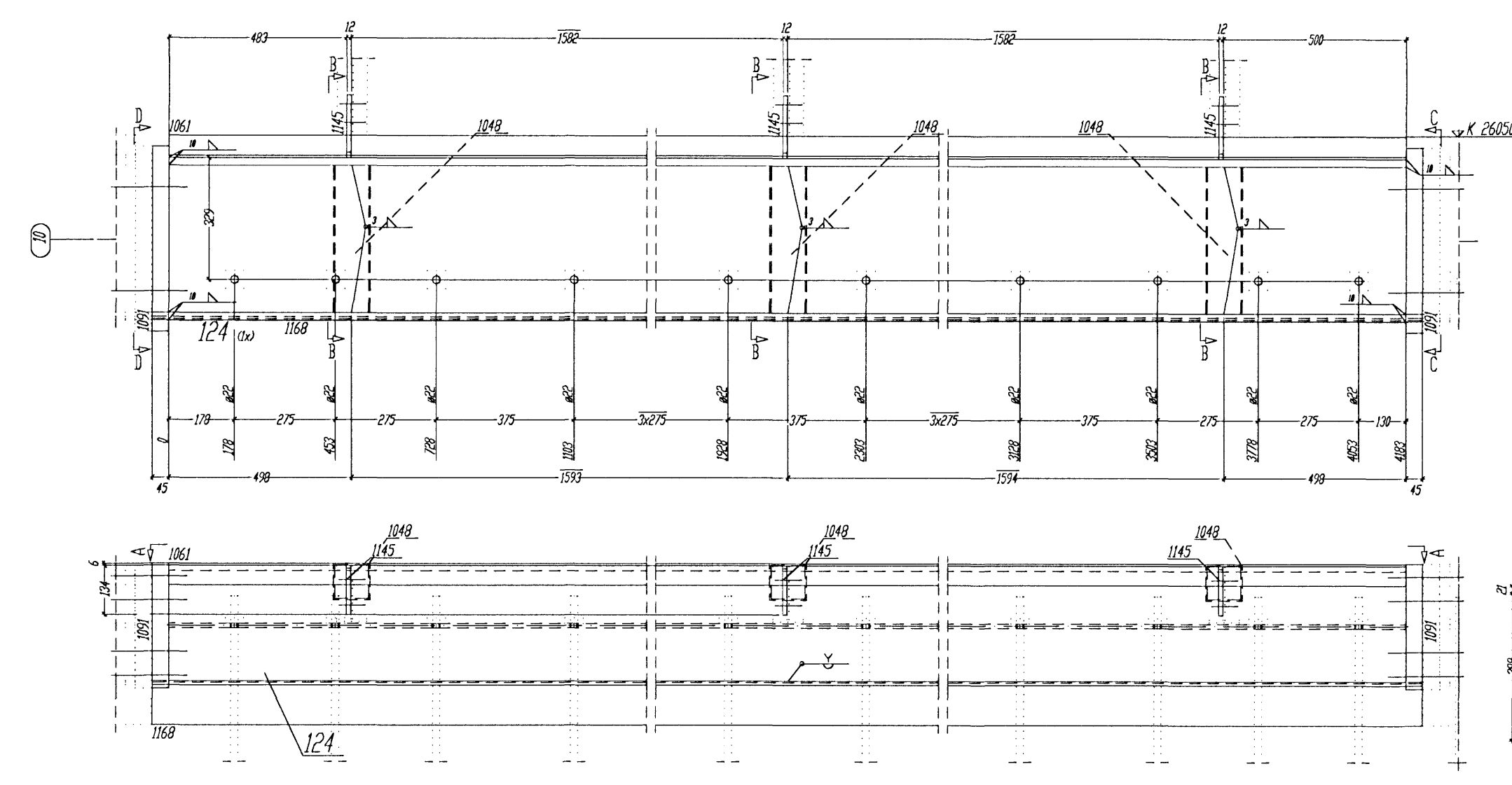


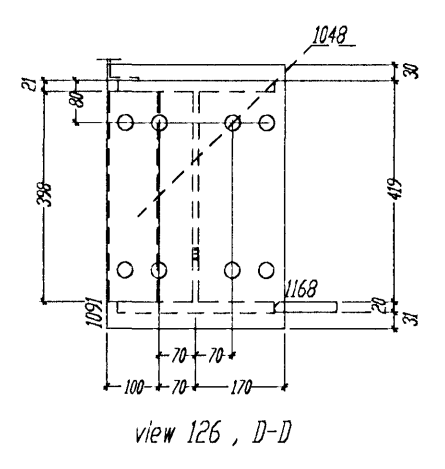
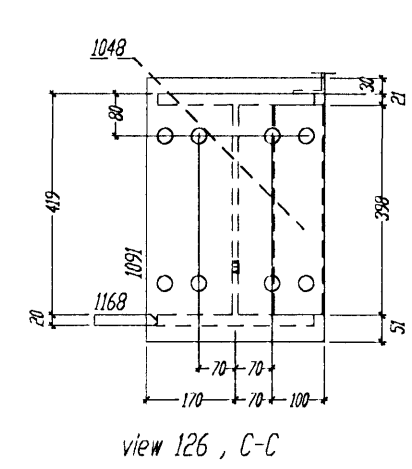
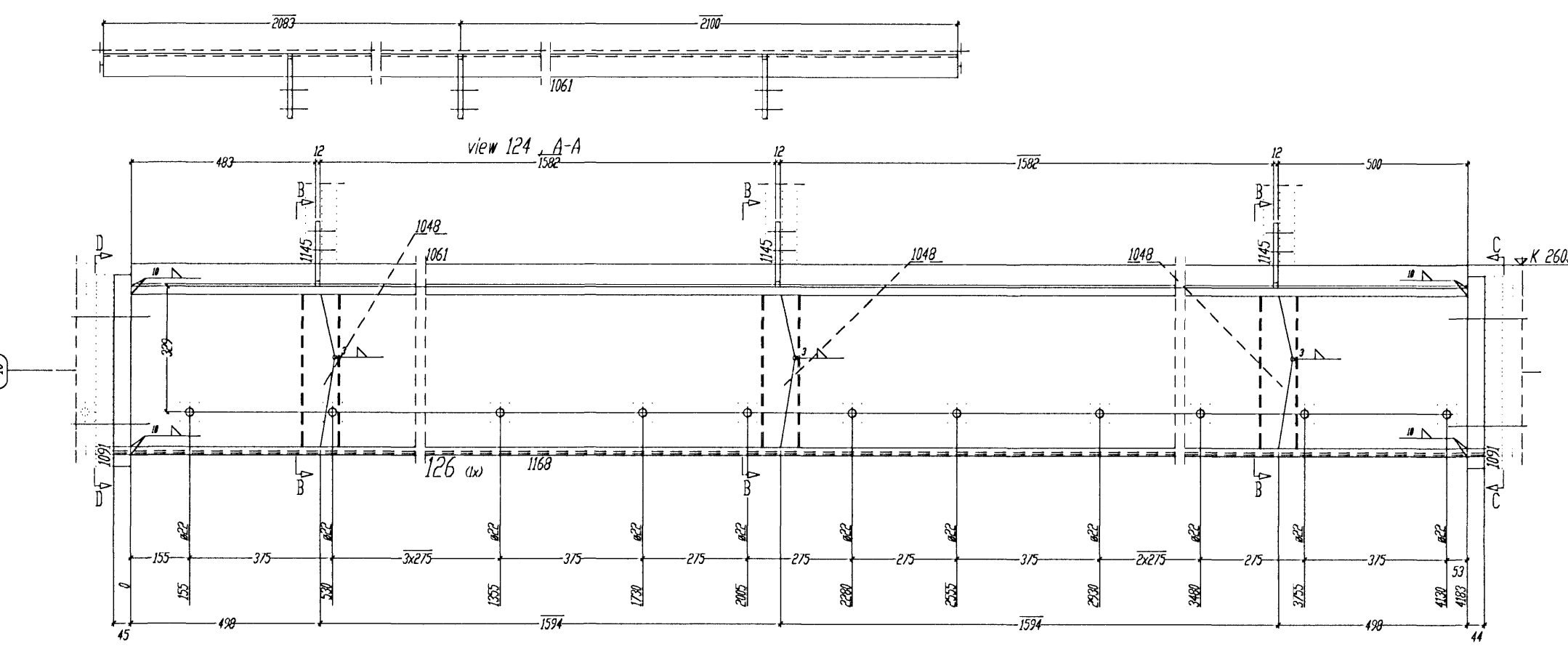
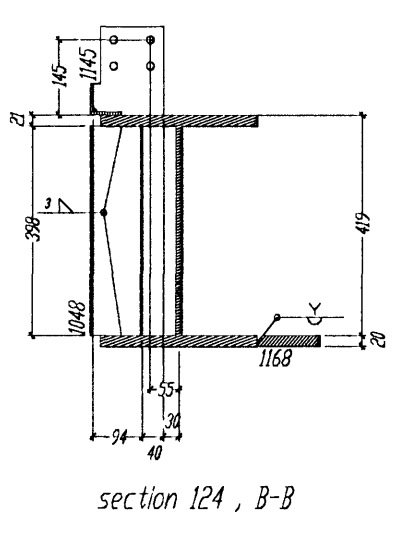
PROJEKTOWANIE HARMONIA
Wielkopolska
7 FEB 2008
W. S.



of all material for 1 Shop - pos. 124 total 1 X done

Nr	Typ	pos. designation	qty	prof.	quality	length	weight	dim.
1	A 124	TRONCER	1	HEA40	S235JR	4183	585.62	
2	A 1048		3	MONO204	S235JR	298	1427	
3	A 1041		1	L046	S235JR	4183	226.7	
4	A 1049	PLATE	2	BL45340	S235JR	300	120.1	
5	A 1145	TRONCER	3	BL12470	S235JR	124	6.44	
6	A 1168	TRONCER	1	FL10240	S235JR	4273	88.50	
total weight (kg)							829.61	

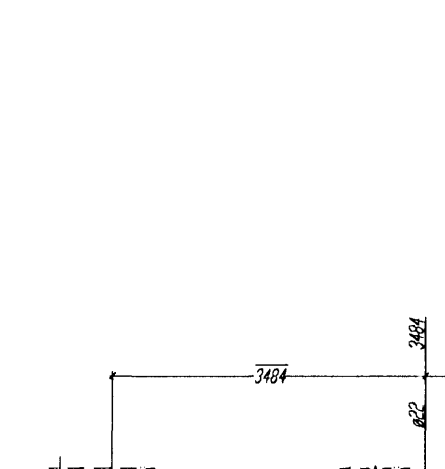
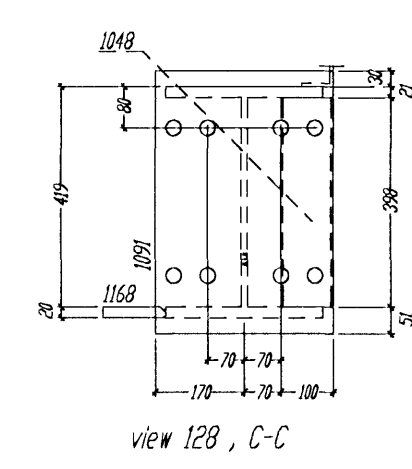
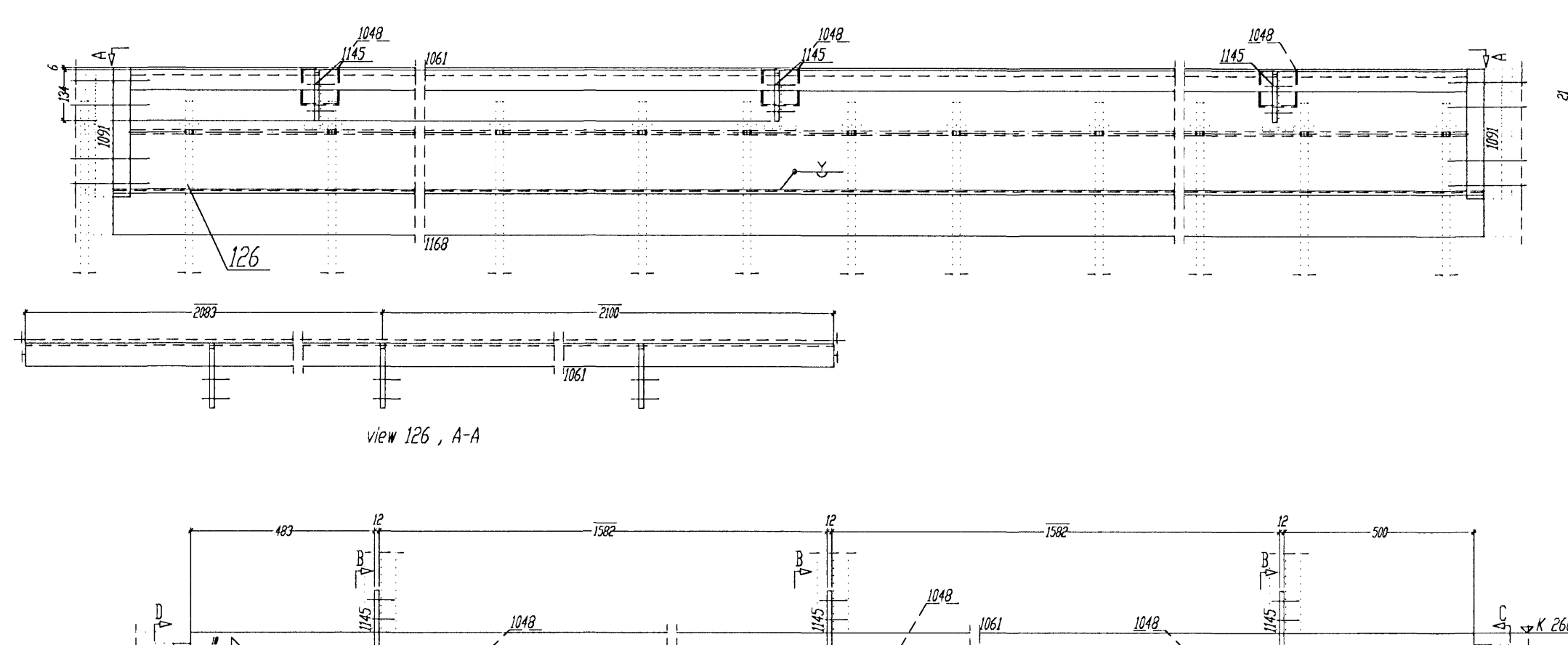
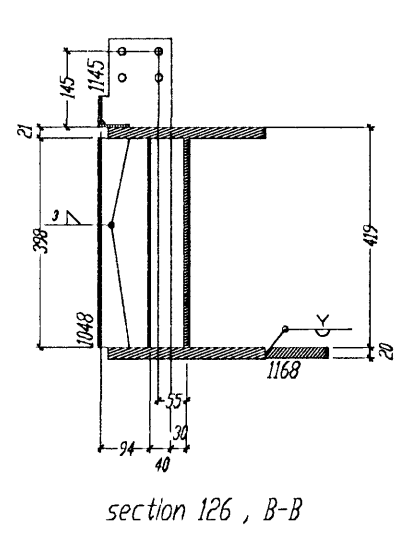
Shipping dimensions 01 x B x L3 640 x 440 x 4273



of all material for 1 Shop - pos. 126 total 1 X done

Nr	Typ	pos. designation	qty	prof.	quality	length	weight	dim.
1	A 126	TRONCER	1	HEA40	S235JR	4183	585.62	
2	A 1048		3	MONO204	S235JR	298	1427	
3	A 1041		1	L046	S235JR	4183	226.7	
4	A 1049	PLATE	2	BL45340	S235JR	300	120.1	
5	A 1145	TRONCER	3	BL12470	S235JR	124	6.44	
6	A 1168	TRONCER	1	FL10240	S235JR	4273	88.50	
total weight (kg)							829.61	

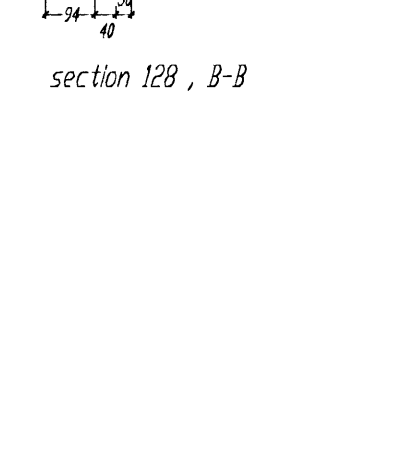
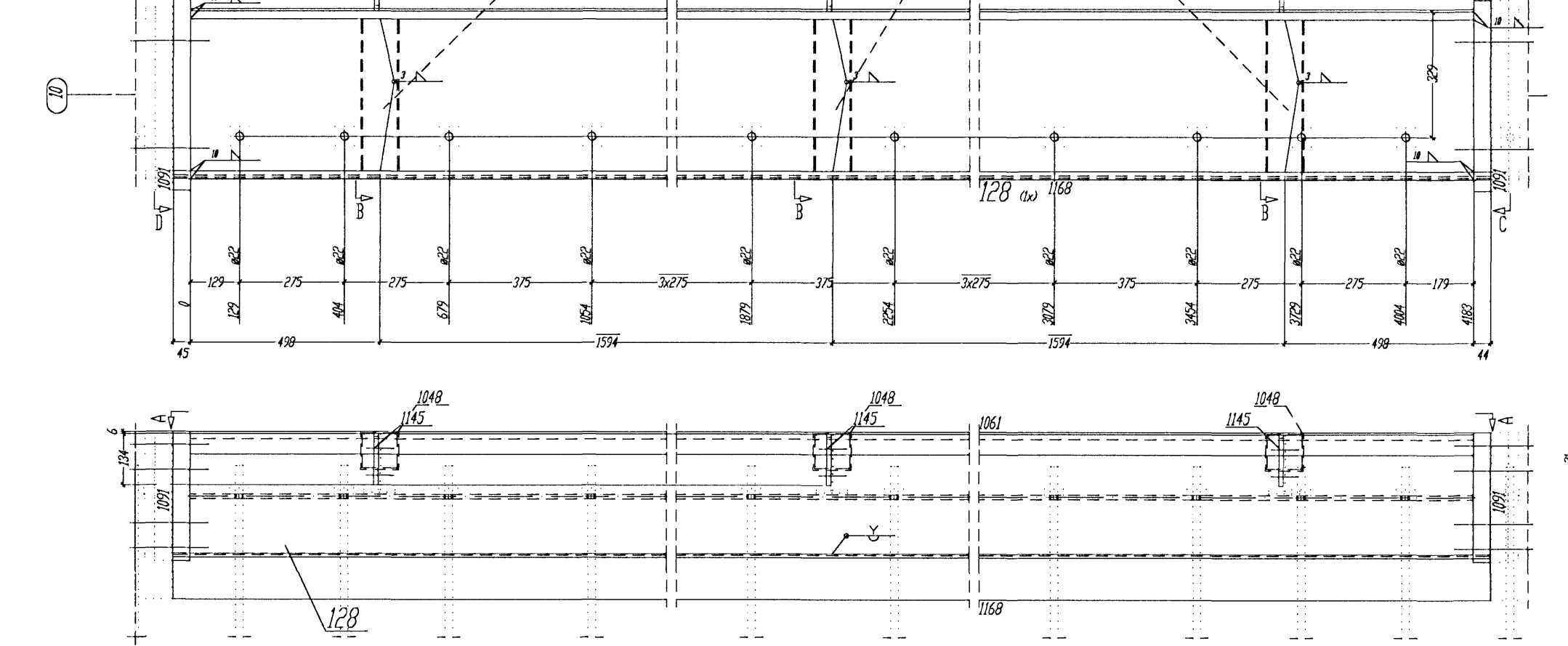
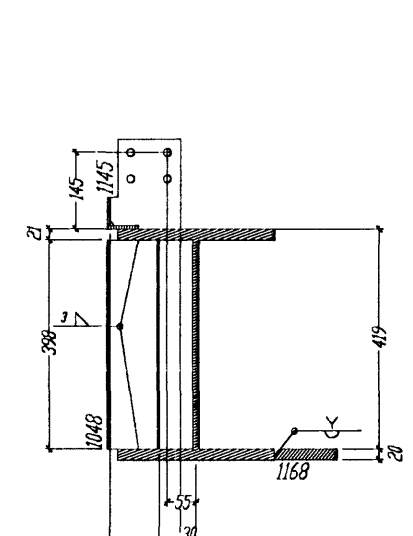
Shipping dimensions 01 x B x L3 640 x 440 x 4273



of all material for 1 Shop - pos. 128 total 1 X done

Nr	Typ	pos. designation	qty	prof.	quality	length	weight	dim.
1	A 128	TRONCER	1	HEA40	S235JR	4183	585.62	
2	A 1048		3	MONO204	S235JR	298	1427	
3	A 1041		1	L046	S235JR	4183	226.7	
4	A 1049	PLATE	2	BL45340	S235JR	300	120.1	
5	A 1145	TRONCER	3	BL12470	S235JR	124	6.44	
6	A 1168	TRONCER	1	FL10240	S235JR	4273	88.50	
total weight (kg)							829.61	

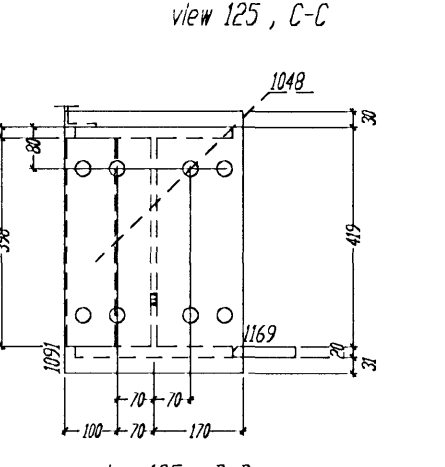
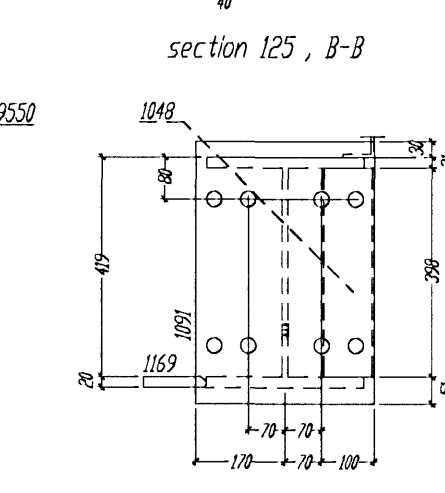
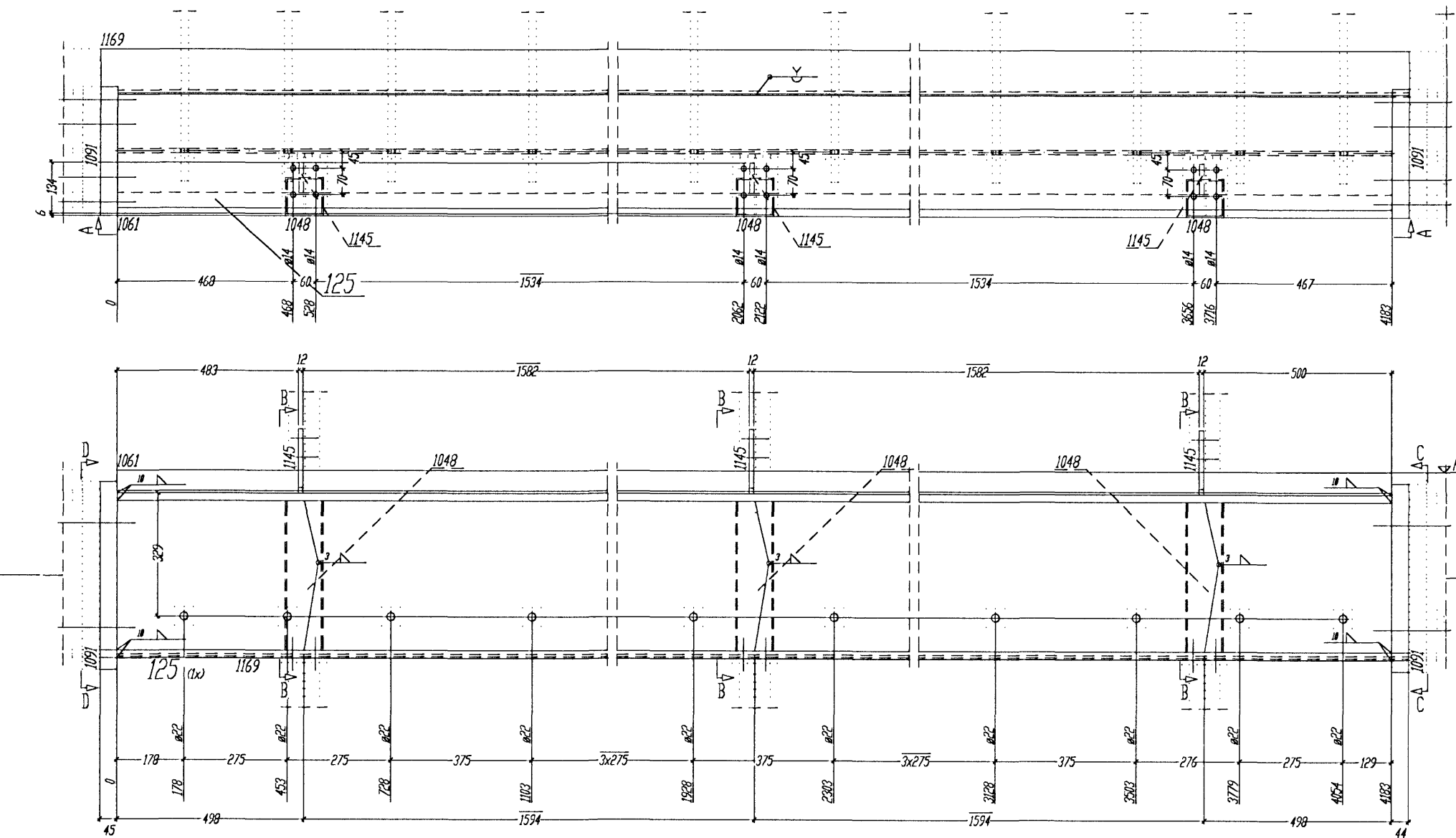
Shipping dimensions 01 x B x L3 640 x 440 x 4273



of all material for 1 Shop - pos. 128 total 1 X done

Nr	Typ	pos. designation	qty	prof.	quality	length	weight	dim.
1	A 128	TRONCER	1	HEA40	S235JR	4183	585.62	
2	A 1048		3	MONO204	S235JR	298	1427	
3	A 1041		1	L046	S235JR	4183	226.7	
4	A 1049	PLATE	2	BL45340	S235JR	300	120.1	
5	A 1145	TRONCER	3	BL12470	S235JR	124	6.44	
6	A 1168	TRONCER	1	FL10240	S235JR	4273	88.50	
total weight (kg)							829.61	

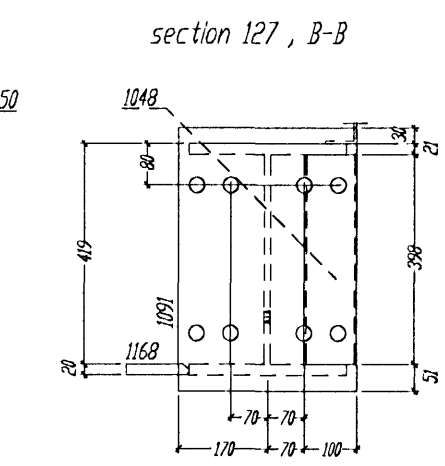
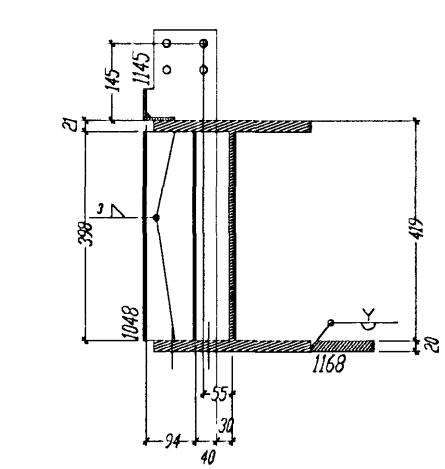
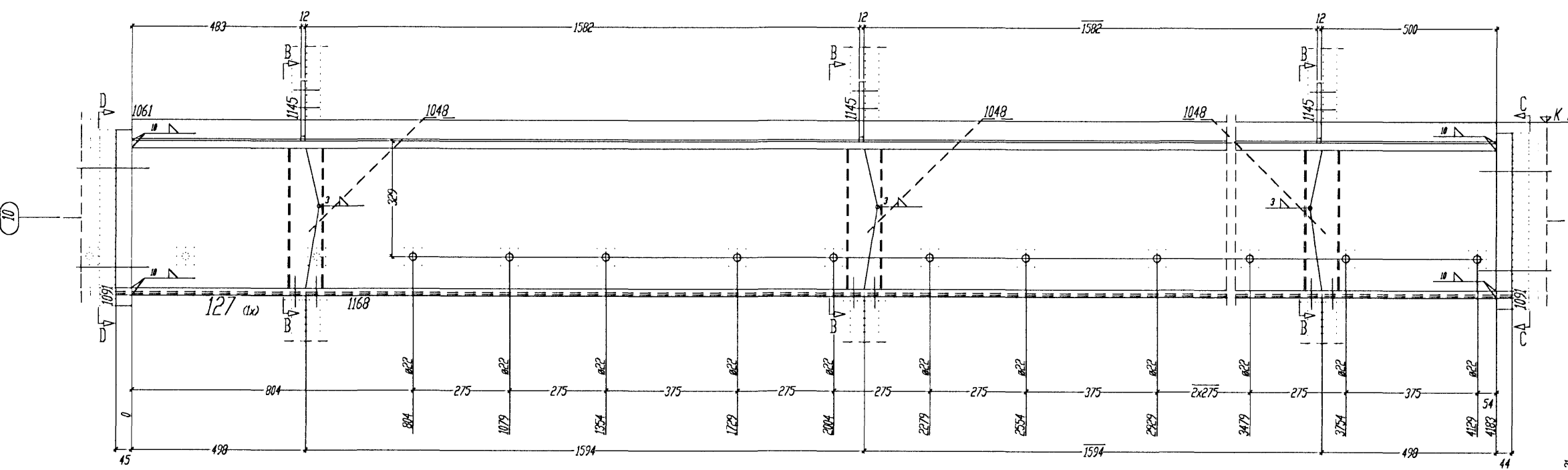
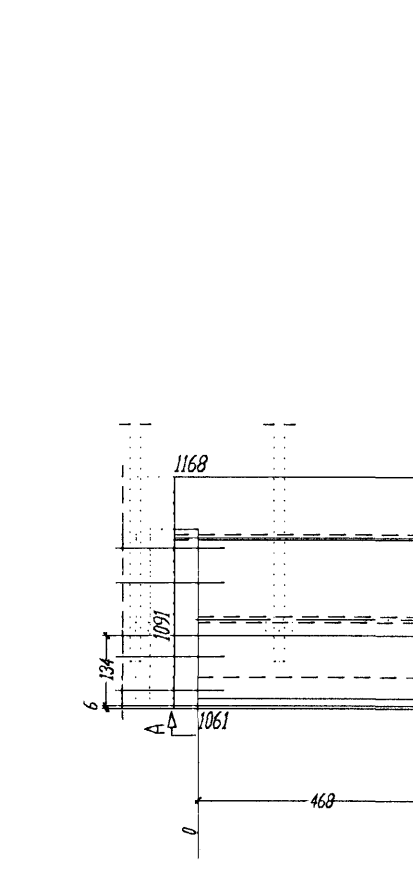
Shipping dimensions 01 x B x L3 640 x 440 x 4273



of all material for 1 Shop - pos. 125 total 1 X done

Nr	Typ	pos. designation	qty	prof.	quality	length	weight	dim.
1	A 125	TRONCER	1	HEA40	S235JR	4183	585.62	
2	A 1048		3	MONO204	S235JR	298	1427	
3	A 1041		1	L046	S235JR	4183	226.7	
4	A 1049	PLATE	2	BL45340	S235JR	300	120.1	
5	A 1145	TRONCER	3	BL12470	S235JR	124	6.44	
6	A 1168	TRONCER	1	FL10240	S235JR	4273	88.50	
total weight (kg)							829.61	

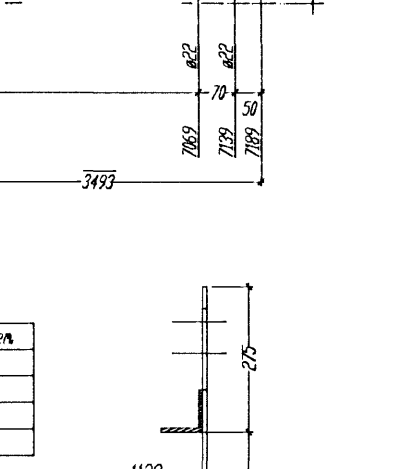
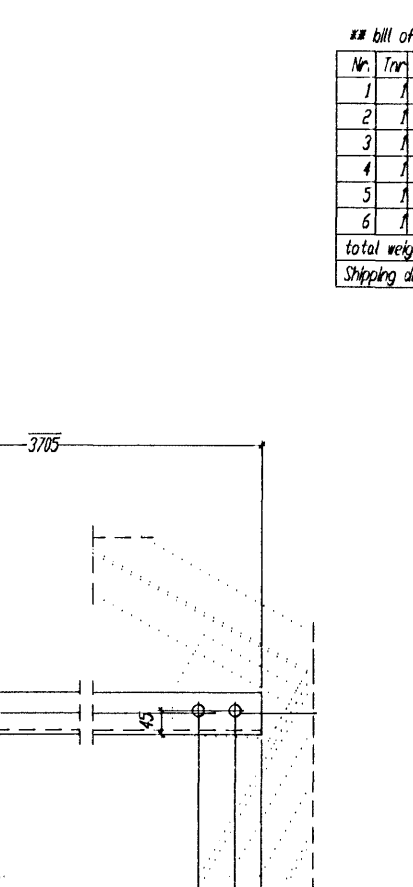
Shipping dimensions 01 x B x L3 640 x 440 x 4273



of all material for 1 Shop - pos. 127 total 1 X done

Nr	Typ	pos. designation	qty	prof.	quality	length	weight	dim.
1	A 127	TRONCER	1	HEA40	S235JR	4183	585.62	
2	A 1048		3	MONO204	S235JR	298	1427	
3	A 1041		1	L046	S235JR	4183	226.7	
4	A 1049	PLATE	2	BL45340	S235JR	300	120.1	
5	A 1145	TRONCER	3	BL12470	S235JR	124	6.44	
6	A 1168	TRONCER	1	FL10240	S235JR	4273	88.50	
total weight (kg)							829.61	

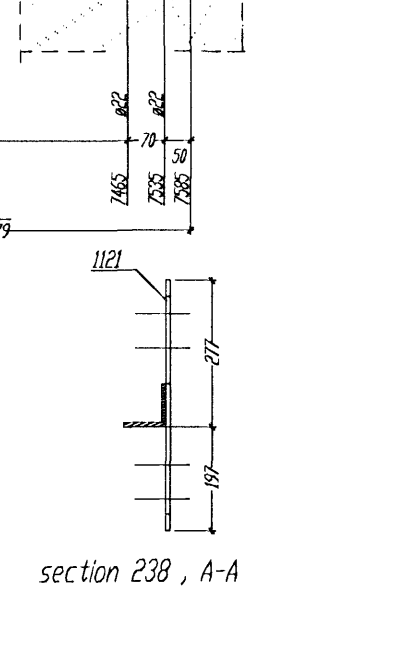
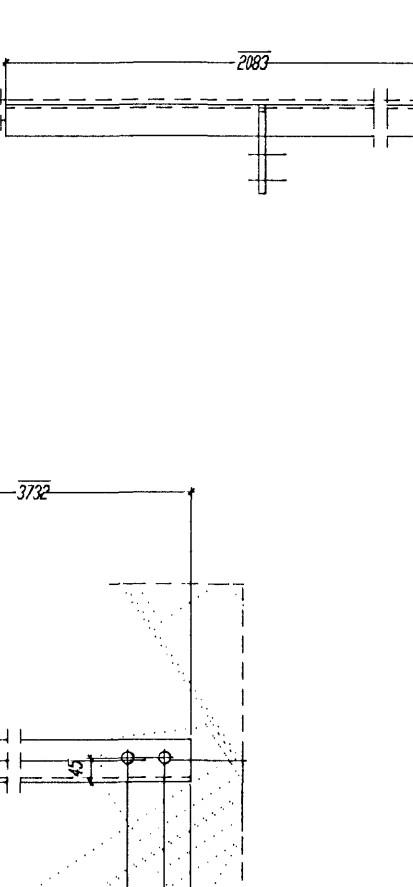
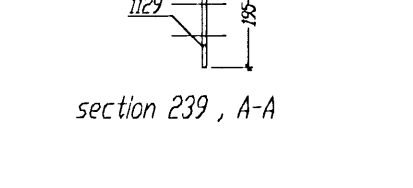
Shipping dimensions 01 x B x L3 640 x 440 x 4273



of all material for 1 Shop - pos. 238 total 1 X done

Nr	Typ	pos. designation	qty	prof.	quality	length	weight	dim.
1	A 238	TRONCER	1	HEA40	S235JR	2789	634.4	
2	A 1029		1	BL10430	S235JR	300	75.64	
total weight (kg)							710.04	

Shipping dimensions 01 x B x L3 414 x 38 x 7585



Fyrir hönd Conis hf. kt. 600105-1400
staðfestist að teikning þessi hefur verið
yfirfarin. Teikningin er í samræmi við
Íslenska staða og reglugerðir. 28/10
Máin 130657-11135
Kennitala

Required torques/prestressing forces and forced
curvature angles according to DIN 18000 Pt. 7, 2583

No	Type	Material	Diameter	Length	Pre-stressing force		Curvature angle	
					Force	Angle	Force	Angle
1	A 124	S235JR	4183	585.62				
2	A 1048	S235JR	298	1427				
3	A 1041	S235JR	4183	226.7				
4	A 1049	S235JR	300	120.1				
5	A 1145	S235JR	124	6.44				
6	A 1168	S235JR	4273	88.50				

All unmarked welds to be fillet
continuous a=4mm thick,
not greater than 0.7 d
of the thinner element.

The material for cap plates 120 mm thick
to be examined for laminations

BIURO INZYNIERSKIE
Marek i Janina MUCHA
Osiny, ul. Polska 30a, 46-070 Komprachcice tel:077-46 46 757

DATE: 28/10/07
SCALE: 1:1
Pos. 124-128,238,239
SHEET: TARNARVELLIR 11
Steel Office part
DRAWN BY: DRG 109