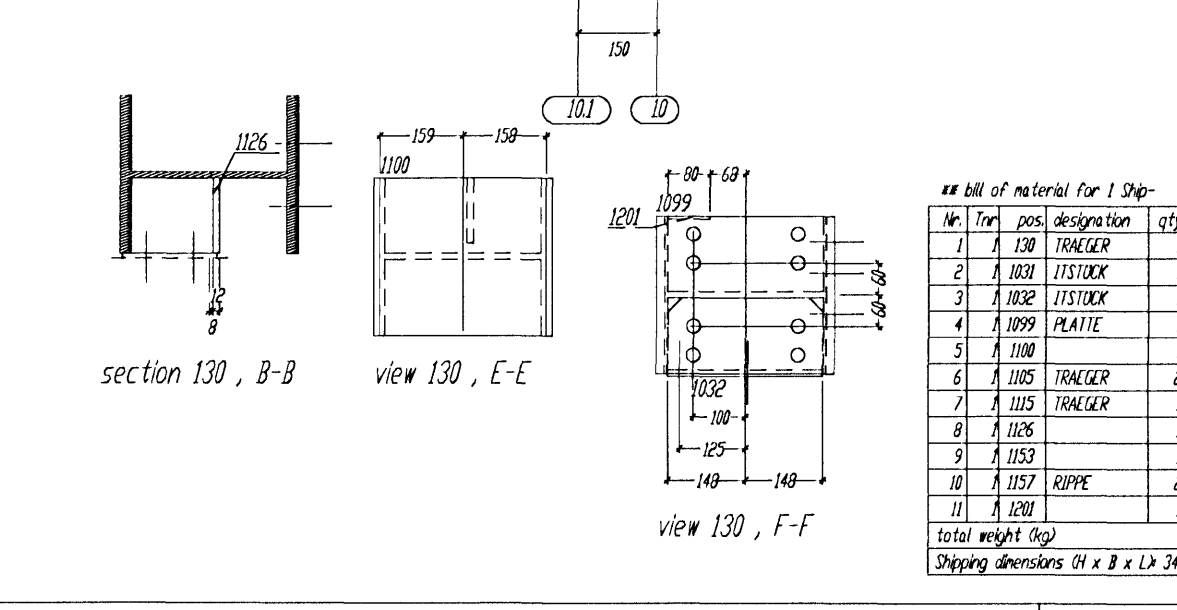
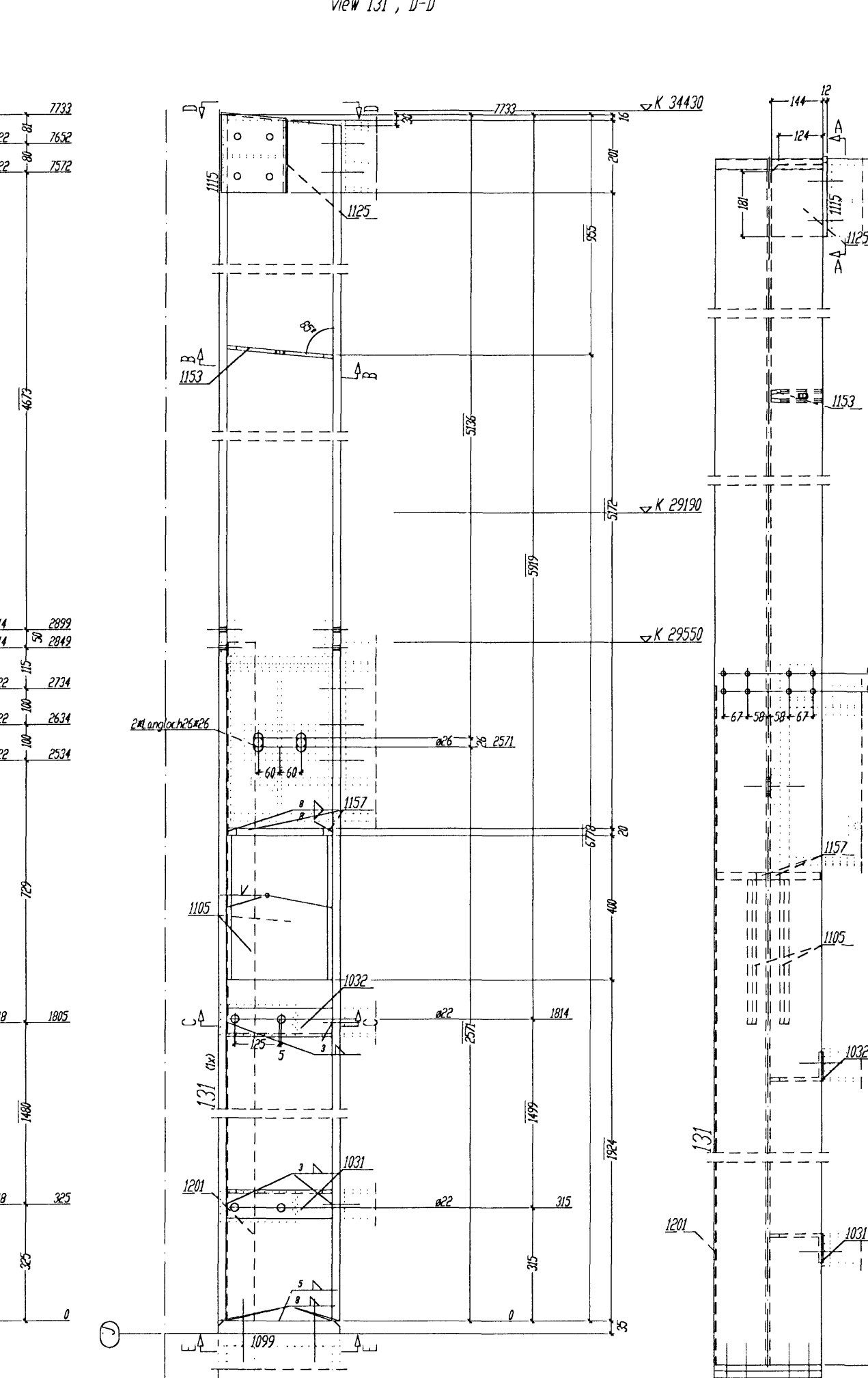
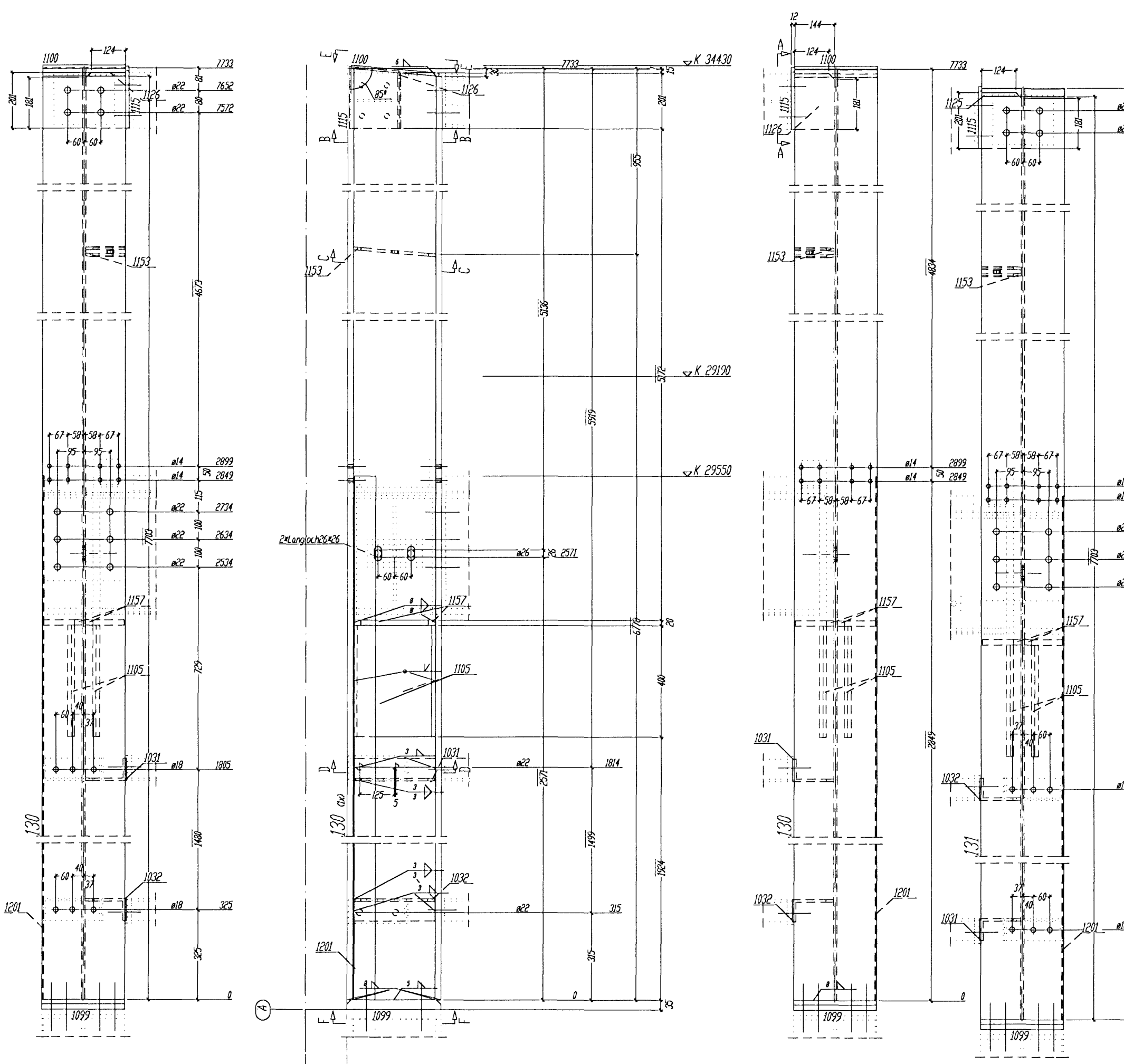


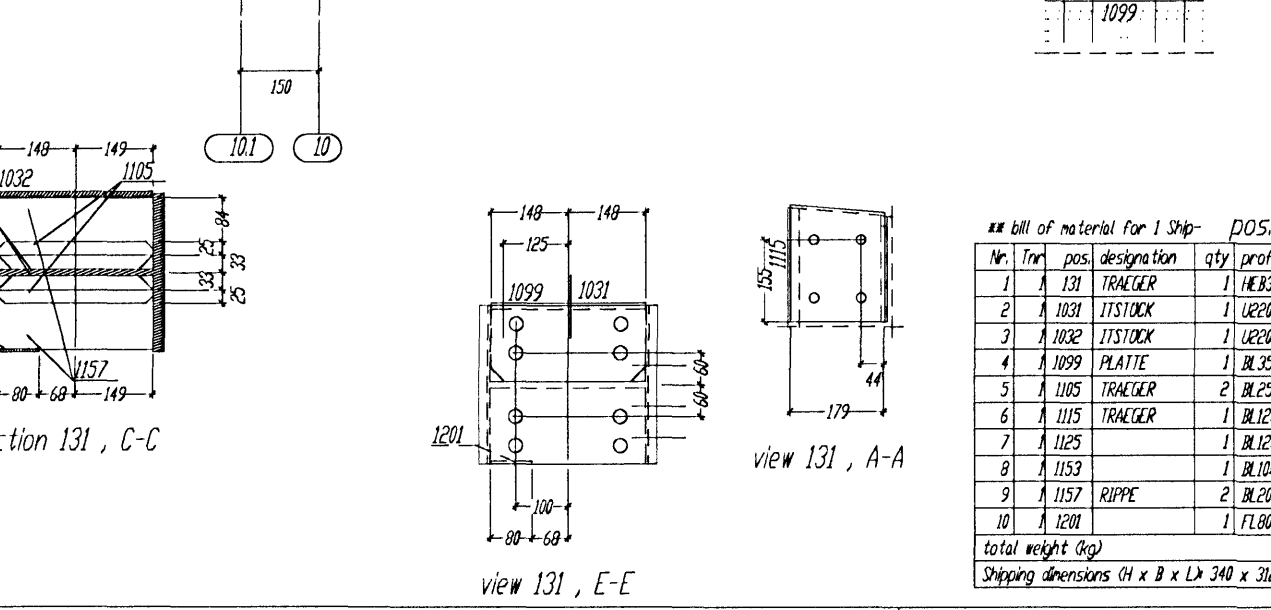
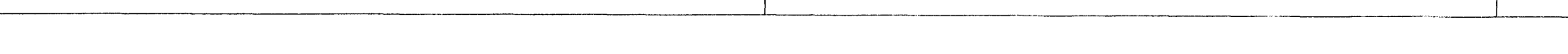
Bill of material for 1 Shop- POS. 129 total 1 X done

№	Trif	pos. designation	styr	prófi	gæði	length	weight	Rem
1	A.129	TRAEKER	1	HEA400	S235JR2	4800	38552	
2	A.104	TRAEKER	2	HEA100	S235JR2	298	1421	
3	A.104	TRAEKER	1	HEA100	S235JR2	480	2367	
4	A.109	PLATE	2	BL2000	S235JR2	500	10011	
5	A.115	TRAEKER	2	HEA100	S235JR2	124	644	
6	A.115	TRAEKER	1	HEA100	S235JR2	473	1831	
total weight Gsp							62551	
Shipping dimensions (H x B x L) 640 x 440 x 4273								



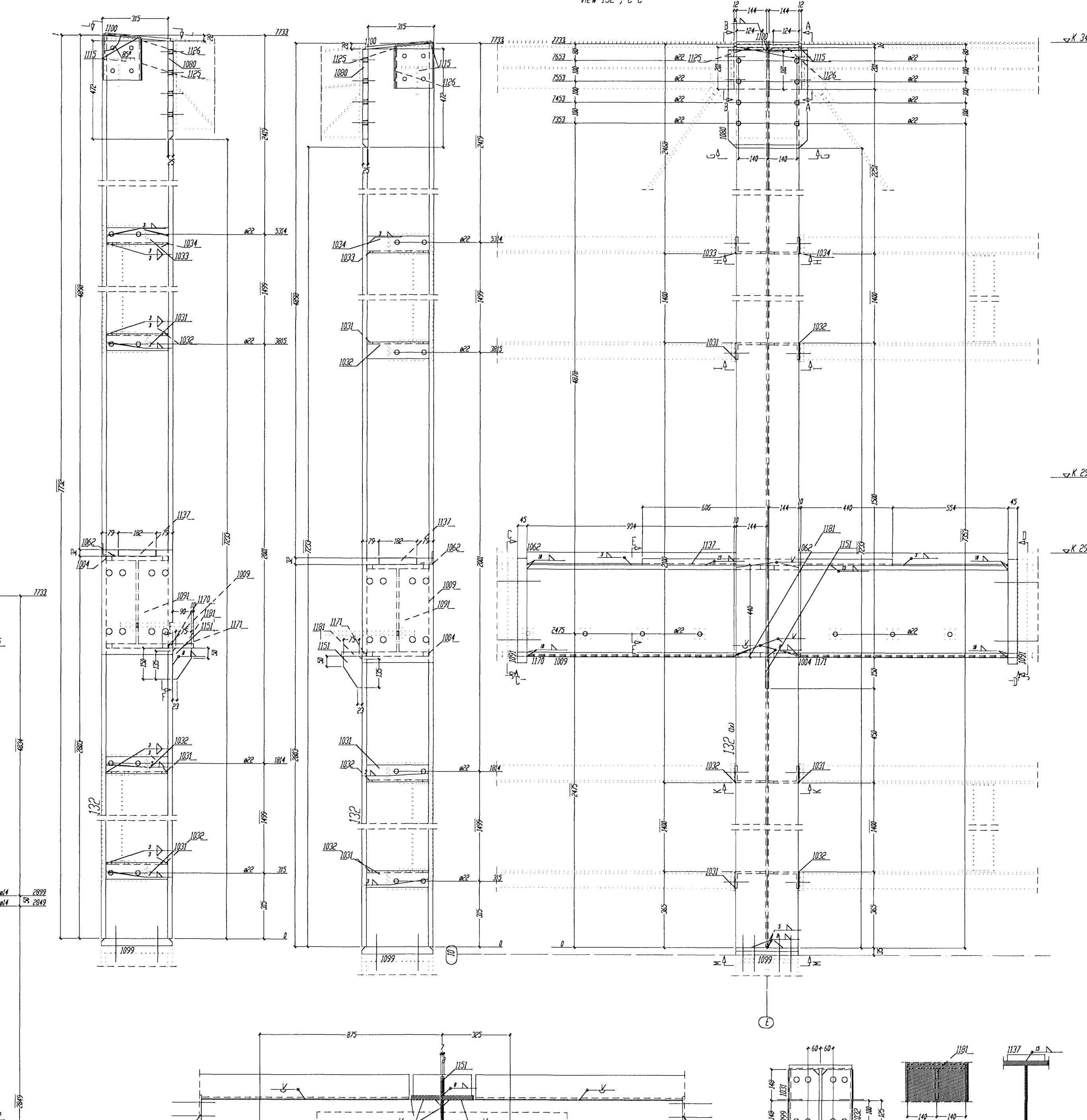
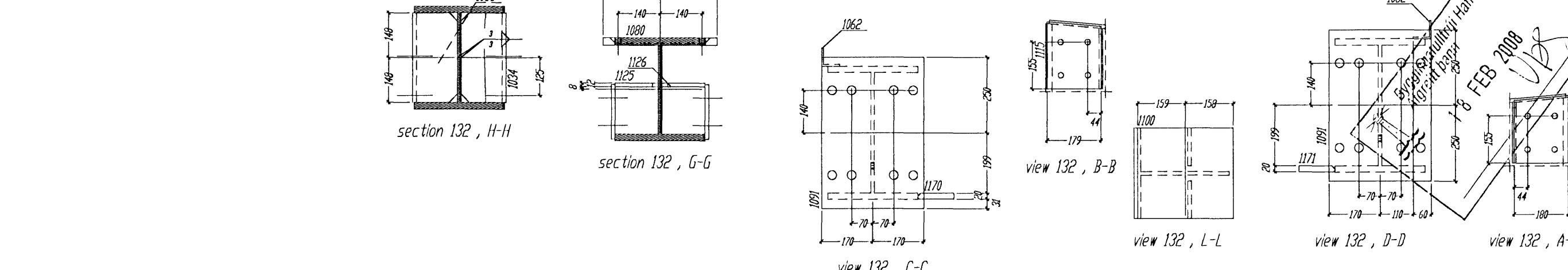
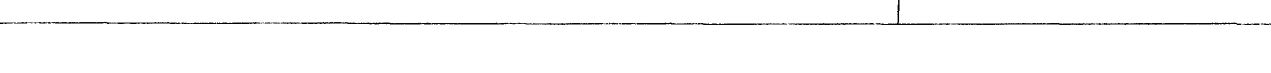
Bill of material for 1 Shop- POS. 130 total 1 X done

№	Trif	pos. designation	styr	prófi	gæði	length	weight	Rem
1	A.130	TRAEKER	1	HEA400	S235JR2	7720	105251	
2	A.104	TRAEKER	1	HEA100	S235JR2	298	870	
3	A.104	TRAEKER	1	HEA100	S235JR2	298	870	
4	A.109	PLATE	1	BL2000	S235JR2	340	2836	
5	A.115	TRAEKER	1	HEA100	S235JR2	371	431	
6	A.115	TRAEKER	2	HEA100	S235JR2	400	4633	
7	A.115	TRAEKER	1	HEA100	S235JR2	180	371	
8	A.115	TRAEKER	1	HEA100	S235JR2	144	273	
9	A.115	TRAEKER	1	HEA100	S235JR2	290	371	
10	A.115	TRAEKER	2	HEA100	S235JR2	291	1206	
11	A.120	TRAEKER	1	HEA100	S235JR2	284	1079	
total weight Gsp							17036	
Shipping dimensions (H x B x L) 340 x 332 x 7179								



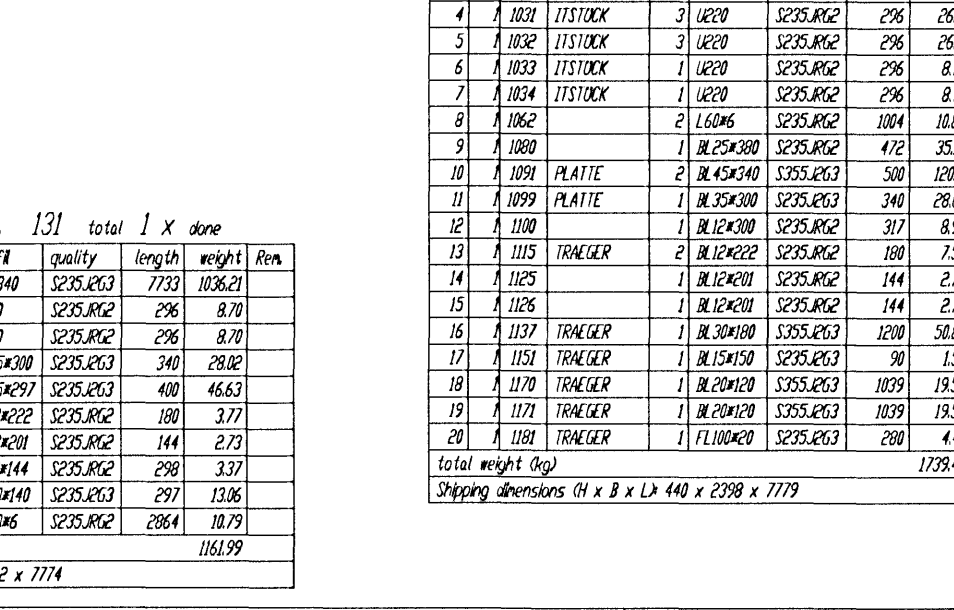
Bill of material for 1 Shop- POS. 131 total 1 X done

№	Trif	pos. designation	styr	prófi	gæði	length	weight	Rem
1	A.131	TRAEKER	1	HEA400	S235JR2	7720	105251	
2	A.104	TRAEKER	1	HEA100	S235JR2	298	870	
3	A.104	TRAEKER	1	HEA100	S235JR2	298	870	
4	A.109	PLATE	1	BL2000	S235JR2	340	2836	
5	A.115	TRAEKER	2	HEA100	S235JR2	400	4633	
6	A.115	TRAEKER	1	HEA100	S235JR2	180	371	
7	A.115	TRAEKER	1	HEA100	S235JR2	144	273	
8	A.115	TRAEKER	1	HEA100	S235JR2	290	371	
9	A.115	TRAEKER	2	HEA100	S235JR2	291	1206	
10	A.120	TRAEKER	1	HEA100	S235JR2	284	1079	
total weight Gsp							16199	
Shipping dimensions (H x B x L) 340 x 332 x 7179								



Bill of material for 1 Shop- POS. 132 total 1 X done

№	Trif	pos. designation	styr	prófi	gæði	length	weight	Rem
1	A.132	TRAEKER	1	HEA400	S235JR2	7720	105251	
2	A.104	TRAEKER	1	HEA100	S235JR2	148	16072	
3	A.109	TRAEKER	1	HEA100	S235JR2	148	16072	
4	A.109	TRAEKER	2	HEA100	S235JR2	298	2610	
5	A.115	TRAEKER	2	HEA100	S235JR2	298	2610	
6	A.115	TRAEKER	1	HEA100	S235JR2	298	870	
7	A.115	TRAEKER	1	HEA100	S235JR2	298	870	
8	A.115	TRAEKER	2	HEA100	S235JR2	104	1038	
9	A.115	TRAEKER	1	HEA100	S235JR2	104	541	
10	A.109	PLATE	2	BL2000	S235JR2	340	2836	
11	A.109	TRAEKER	1	HEA100	S235JR2	480	18011	
12	A.110	TRAEKER	1	HEA100	S235JR2	317	637	
13	A.115	TRAEKER	1	HEA100	S235JR2	104	541	
14	A.115	TRAEKER	1	HEA100	S235JR2	144	273	
15	A.115	TRAEKER	1	HEA100	S235JR2	144	273	
16	A.117	TRAEKER	1	HEA100	S235JR2	120	3687	
17	A.117	TRAEKER	1	HEA100	S235JR2	90	159	
18	A.117	TRAEKER	1	HEA100	S235JR2	109	1857	
19	A.117	TRAEKER	1	HEA100	S235JR2	109	1857	
20	A.117	TRAEKER	1	HEA100	S235JR2	280	440	
total weight Gsp							17384	
Shipping dimensions (H x B x L) 440 x 220 x 7179								



Tolerance for welded constructions According to DIN 1020, P11-30/47,10/87
Welding (V P S) according to DIN EN 288 - 2

Required torques prestressing Forces and forced tension angles according to DIN 10800 Pt. 7, 03/83

All unmarked welds to be fillet continuous 6-mm thick, not greater than 0,7 a of the thinner element

The material for cap plates 120 mm thick to be examined for laminations

BIURO INZYNIERSKIE Marek i Janina MUCHA
Dłziny, ul. Opolska 30a, 46-070 Komprachcice tel.077-46 46 757

Fyrir hönd Conis ehf, kt. 600105-1400 staðfestist að teikning þessi hefur verið yfirfærin. Teikningin er í samræmi við íslenska stöðla og reglugerðir. 28/10/01
Kennitala 130651-01/31

DATE: NAME: SIGNATURE: SCALE: SHEET: 110

Pos. 129-132
TJARNARVELLIR 11
Steel Office part
DRG 110